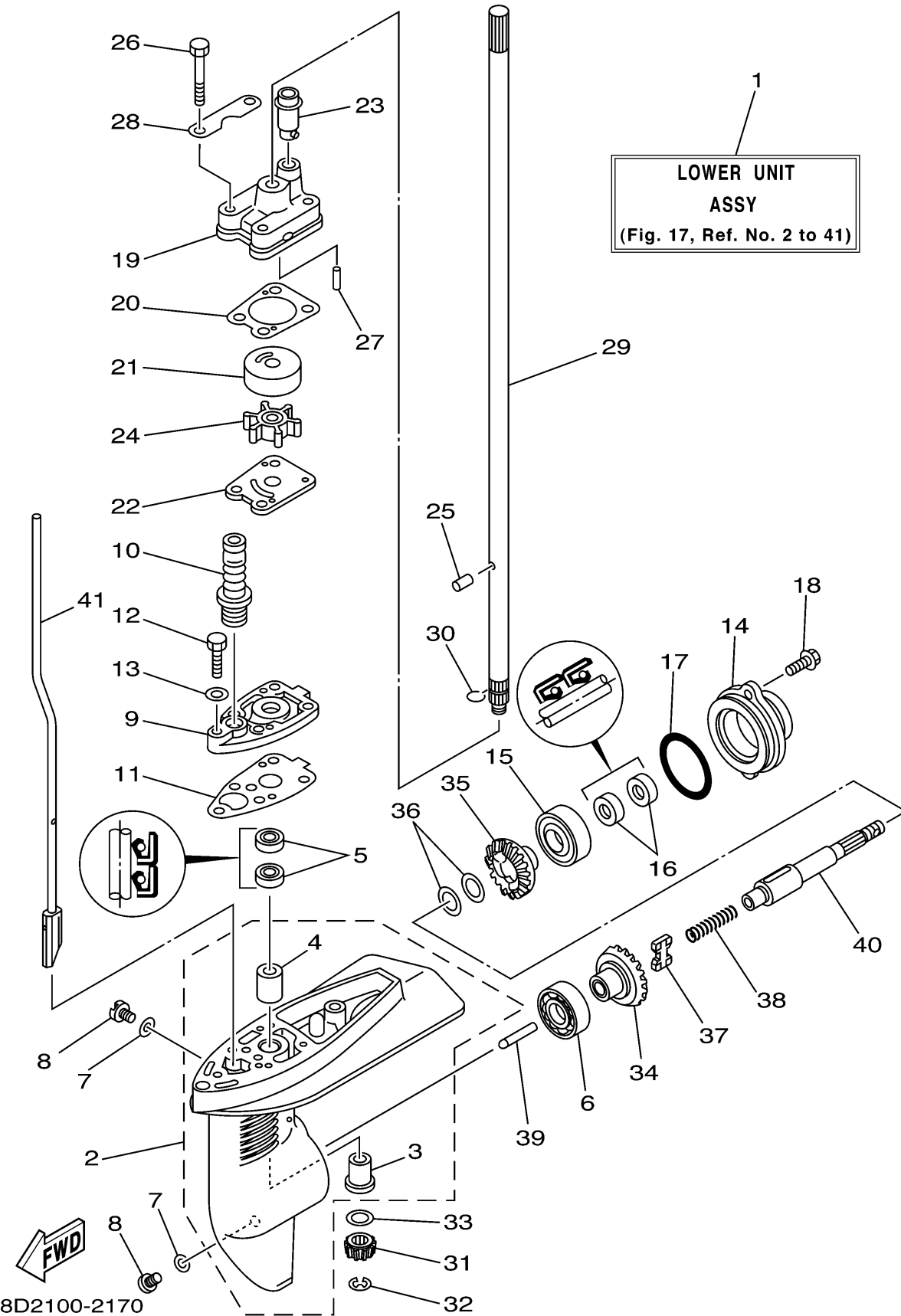


LOWER CASING DRIVE 1

Ref No.	Part Number	Description	Qty	Remarks
1	68D-G5300-01-4D	LOWER UNIT ASSY	1	S(F4)
1	68D-G5300-11-4D	LOWER UNIT ASSY	1	L(F4)
2	68D-G5311-00-4D	CASING, LOWER	1	(F4)
3	6E0-45317-09-00	.BUSHING, DRIVE SHAFT	1	(F4)
4	6E0-45316-09-00	.BUSHING, DRIVE SHAFT	1	(F4)
5	93101-10M14-00	.OIL SEAL	2	(F4)
6	93306-004YH-00	BEARING	1	(F4)
7	90430-08801-00	.GASKET	3	(F4)
8	90340-08M04-00	PLUG, STRAIGHT SCREW	3	(F4)
9	68D-G5321-00-00	PLATE	1	(F4)
10	6L2-44147-00-00	BOOT, SHIFT ROD	1	(F4)
11	68D-G5315-A0-00	.PACKING, LOWER CASING	1	(F4)
12	97095-06025-00	BOLT	1	(F4)
13	92995-06600-00	WASHER	1	(F4)
14	68D-G5361-00-4D	CAP, LOWER CASING	1	(F4)
15	93306-004YH-00	BEARING	1	(F4)
16	93101-13M12-00	.OIL SEAL	2	(F4)
17	93210-48214-00	.O-RING	1	(F4)
18	95895-06016-00	.BOLT, FLANGE	2	(F4)
19	68D-G4311-01-00	.HOUSING, WATER PUMP	1	(F4)

CONTINUED ON NEXT FRAME >

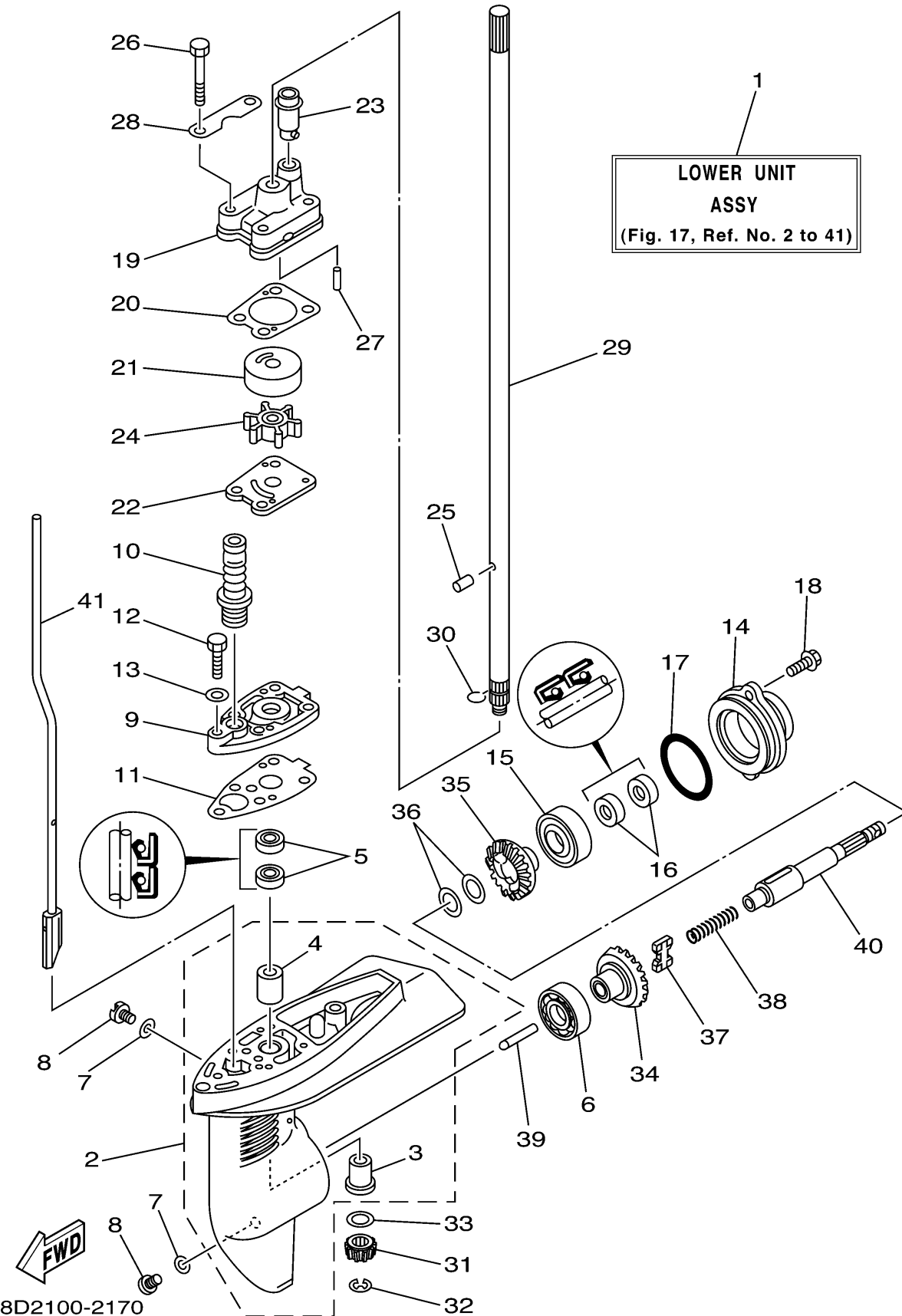


68D2100-2170
f4msha_mlha

LOWER CASING DRIVE 1

Ref No.	Part Number	Description	Qty	Remarks
20	68D-G4315-A0-00	.GASKET, WATER PUMP	1	(F4)
21	68D-G4322-00-00	.INSERT, CARTRIDGE	1	(F4)
22	6E0-44323-00-00	.OUTER PLATE, CARTRIDGE	1	(F4)
23	67D-44366-00-00	.DAMPER, WATER SEAL	1	(F4)
24	6E0-44352-00-00	.IMPELLER	1	(F4)
25	93604-09066-00	PIN, DOWEL	1	(F4)
26	97095-06045-00	BOLT	4	(F4)
27	93604-18080-00	.PIN, DOWEL	2	(F4)
28	68D-G4328-00-00	PLATE	2	(F4)
29	68D-G5511-00-00	SHAFT, DRIVE	1	S(F4)
29	68D-G5511-10-00	SHAFT, DRIVE	1	L(F4)
30	90467-08M01-00	CLIP	1	(F4)
31	6E0-45551-00-00	PINION (13T)	1	(F4)
32	93430-06005-00	CIRCLIP	1	(F4)
33	90201-11M49-00	WASHER, PLATE	1	(F4)
34	67D-45560-00-00	GEAR 1 (27T)	1	(F4)
35	67D-45570-00-00	GEAR 2 (27T)	1	(F4)
36	67D-45576-00-00	WASHER, THRUST	2	(F4)
37	67D-45631-01-00	CLUTCH, DOG	1	(F4)
38	90501-10064-00	SPRING, COMPRESSION	1	(F4)

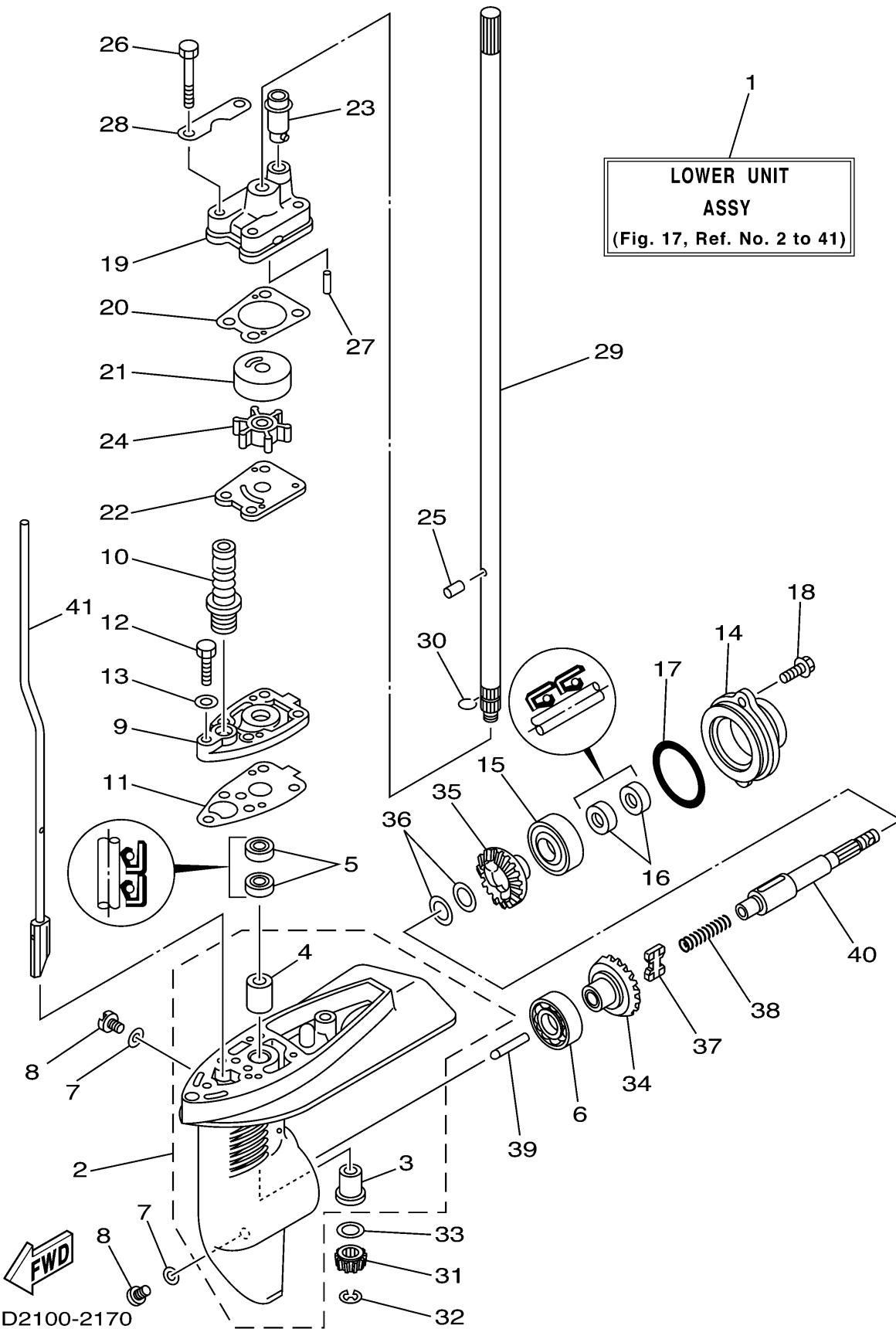
CONTINUED ON NEXT FRAME >



68D2100-2170
f4msha_mlha

LOWER CASING DRIVE 1

Ref No.	Part Number	Description	Qty	Remarks
39	67D-45635-00-00	PLUNGER, SHIFT	1	(F4)
40	67D-45611-00-00	SHAFT, PROPELLER	1	(F4)
41	68D-G4150-00-00	SHIFT CAM ASSY	1	S(F4)
41	68D-G4150-10-00	SHIFT CAM ASSY	1	L(F4)



68D2100-2170
f4msha_mlha