

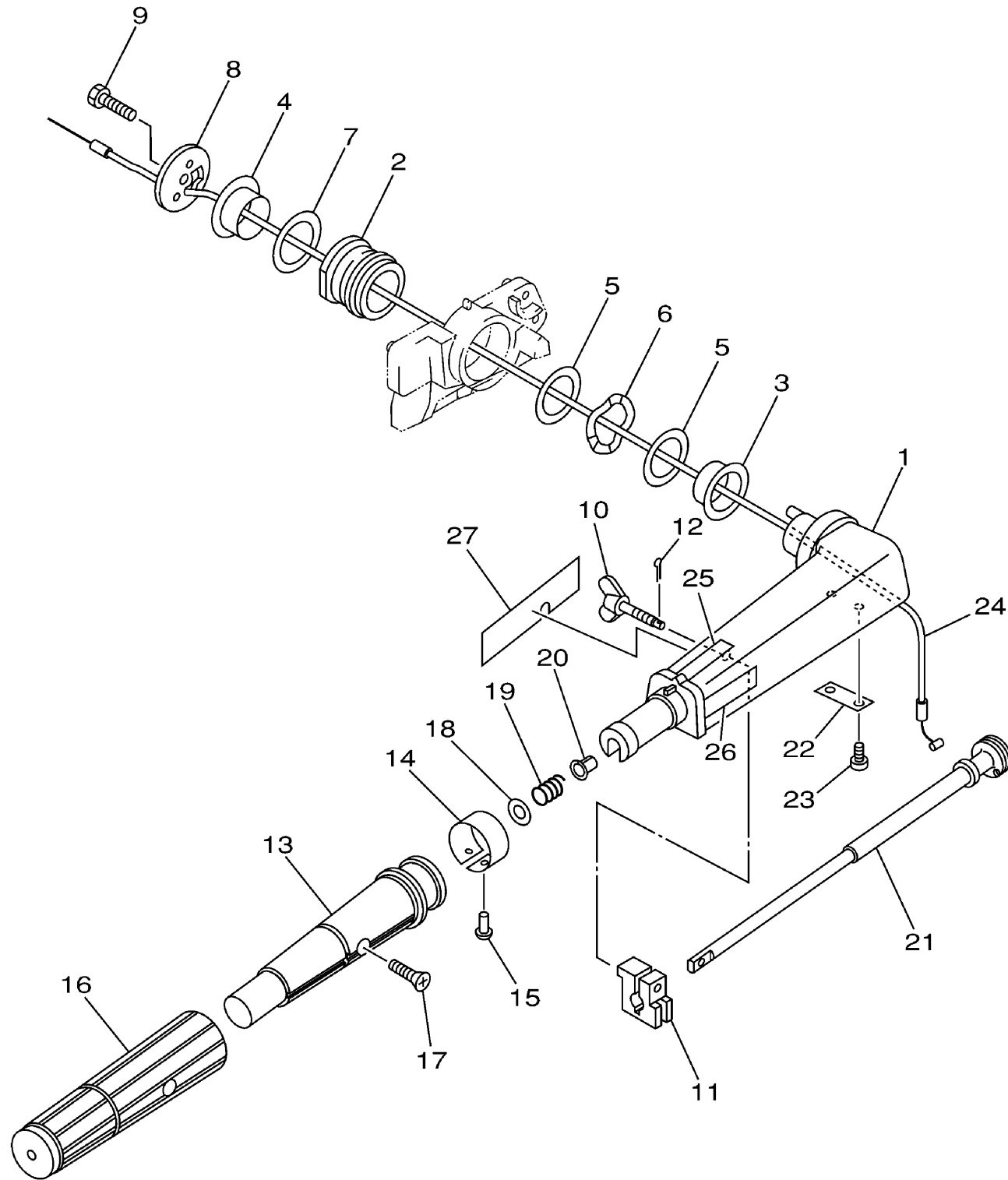
STEERING

Ref No.	Part Number	Description	Qty	Remarks
1	68D-G2111-00-4D	HANDLE, STEERING	1	(F4)
2	67D-42129-00-00	BUSHING, RUBBER	1	(F4)
3	68D-G2171-00-00	BUSHING	1	(F4)
4	68D-G2172-00-00	BUSHING 2	1	(F4)
5	68D-G2181-00-00	WASHER	2	(F4)
6	67D-42188-00-00	WASHER, WAVE	1	(F4)
7	68D-G2182-00-00	WASHER 2	1	(F4)
8	68D-G2131-01-00	COVER, HANDLE STEERING	1	(F4)
9	97075-08025-00	BOLT	1	(F4)
10	6N0-G2125-00-00	BOLT, FRICTION ADJUSTING	1	(F4)
11	6N0-G2126-00-00	FRICTION, STEERING HANDLE GRIP	1	(F4)
12	91490-16010-00	PIN. COTTER	1	(F4)
13	68D-G2119-00-00	GRIP, STEERING HANDLE	1	(F4)
14	68D-G2137-00-00	INDICATOR, THROTTLE	1	(F4)
15	90269-02M09-00	RIVET	1	(F4)
16	67D-42177-00-00	RUBBER, HANDLE	1	(F4)
17	90149-05M13-00	SCREW	1	(F4)
18	92903-10600-00	WASHER, PLATE	1	(F4)
19	90501-23215-00	SPRING, COMPRESSION	1	(F4)
20	90386-08032-00	BUSH	1	(F4)

CONTINUED ON NEXT FRAME >



68D2110-2130
f4msha_mlha



STEERING

Ref No.	Part Number	Description	Qty	Remarks
21	6G1-42138-01-00	LEVER, THROTTLE	1	(F4)
22	68D-G2159-00-00	STAY	1	(F4)
23	97885-05012-00	SCREW, PAN HEAD	2	(F4)
24	68D-F6301-00-00	THROTTLE CABLE ASSY	1	(F4)
25	6E0-83627-41-00	LABEL, CAUTION 7	1	(F4)
26	6A1-2415A-41-00	LABEL, CAUTION	1	(F4)
27	68D-E571Y-40-00	MARK, CAUTION	1	(F4)



68D2110-2130
f4msha_mlha