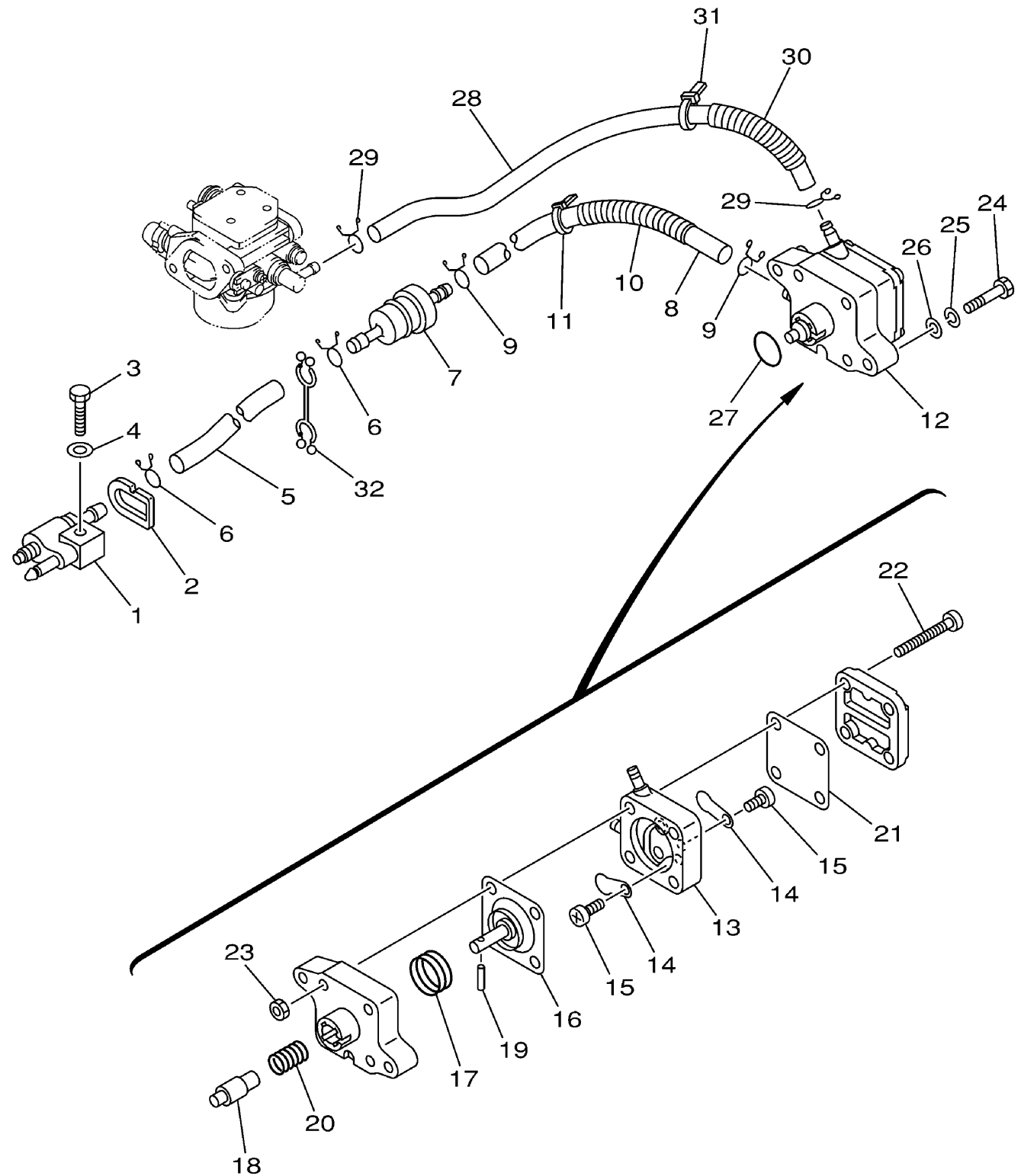


# FUEL 1

Ref No.	Part Number	Description	Qty	Remarks
1	6G1-24304-02-00	FUEL PIPE JOINT COMP. 1	1	(MH)
2	61N-24329-00-00	SEAL	1	(MH)
3	97095-06025-00	BOLT	1	(MH)
4	92995-06600-00	WASHER	1	(MH)
5	90445-10M18-00	.HOSE (L295)	1	(MH)
6	90467-09M09-00	CLIP	2	(MH)
7	68T-24251-00-00	STRAINER 1	1	(MH)
8	90445-10M50-00	HOSE (L170)	1	(MH)
9	90467-09M09-00	CLIP	2	(MH)
10	90446-14M66-00	HOSE (L40)	1	(MH)
11	90465-11M10-00	CLAMP	1	(MH)
12	68T-24410-00-00	FUEL PUMP ASSY	1	(MH)
13	66M-24413-01-00	..BODY 2	1	(MH)
14	6A0-24421-01-00	..VALVE, CHECK	2	(MH)
15	6E7-14325-00-00	..SCREW, PAN HEAD	2	(MH)
16	66M-24411-00-00	..DIAPHRAGM	1	(MH)
17	66M-24423-00-00	..SPRING, DIAPHRAGM	1	(MH)
18	66M-13131-00-00	..PLUNGER	1	(MH)
19	66M-24374-00-00	..PIN	1	(MH)
20	66M-24454-00-00	..SPRING	1	(MH)

CONTINUED ON NEXT FRAME >





# FUEL 1

Ref No.	Part Number	Description	Qty	Remarks
21	66M-24471-00-00	.DIAPHRAGM	1	(MH)
22	66M-24444-00-00	.SCREW	4	(MH)
23	95380-05600-00	.NUT	4	(MH)
24	97095-06030-00	BOLT	2	(MH)
25	92995-06100-00	WASHER, SPRING	2	(MH)
26	92995-06600-00	WASHER	2	(MH)
27	93210-20M65-00	.O-RING	1	(MH)
28	90445-10016-00	HOSE (L280)	1	(MH)
29	90467-09M09-00	CLIP	2	(MH)
30	90446-14M66-00	HOSE (L40)	1	(MH)
31	90465-11M10-00	CLAMP	1	(MH)
32	90464-10M53-00	CLAMP	1	(MH)



68R0010-0090  
f6msha\_6mlha\_8msha\_8mlha