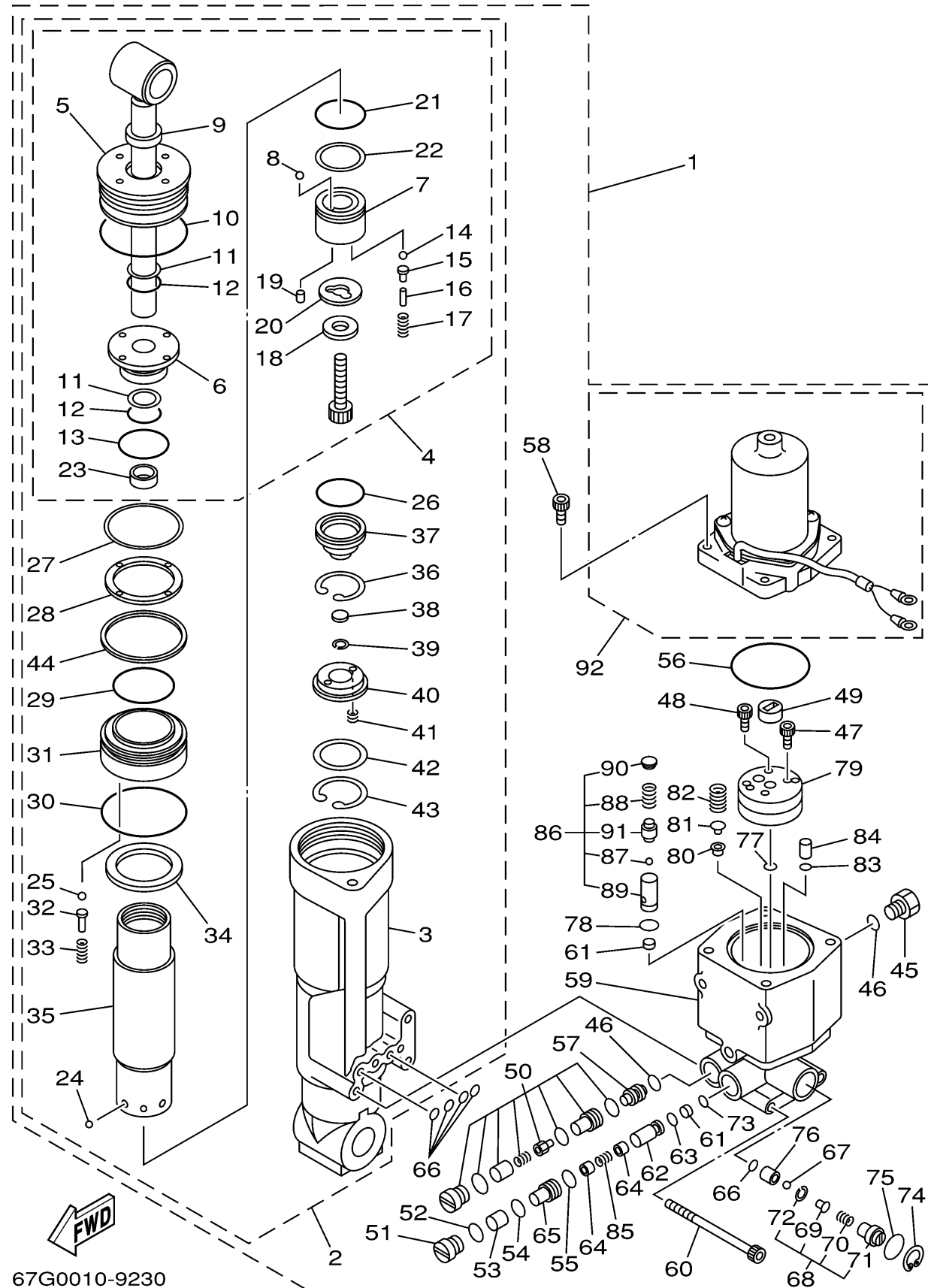


67G0010-9230
f80_100ltra_txra

POWER TRIM TILT ASSY 1

Ref No.	Part Number	Description	Qty	Remarks
1	67F-43800-02-4D	POWER TRIM & TILT ASSY	1	
2	67F-43840-00-00	. POWER TILT ASSY	1	
3	67F-4380K-00-00	...CYLINDER, TILT SUB ASSY	1	
4	67F-43810-00-00	.. TILT PISTON SUB ASSY	1	
5	67F-43821-00-00	...SCREW, TRIM CYLINDER END	1	
6	67F-43811-00-00	... SCREW, CYLINDER END	1	
7	67F-4385A-00-00	... PISTON, TILT	1	
8	93501-08001-00	...BALL	1	
9	6H1-43812-00-00	...SEAL, DUST	1	
10	67F-43861-00-00	...O-RING	1	
11	6H1-43872-10-00	... RING, BACK UP	2	
12	93210-18397-00	... O-RING	2	
13	62X-43862-00-00	...O-RING	1	
14	93501-08001-00	...BALL	4	
15	65W-4386A-00-00	...PIN, ABSORBER VALVE	4	
16	688-4386F-00-00	...PIN, STRAIGHT	4	
17	65W-43853-00-00	...SPRING, MAIN VALVE	4	
18	67F-43893-00-00	...WASHER	1	
19	93602-07244-00	...PIN, DOWEL	2	
20	67F-22435-00-00	...PLATE, VALVE 2	1	

CONTINUED ON NEXT FRAME >

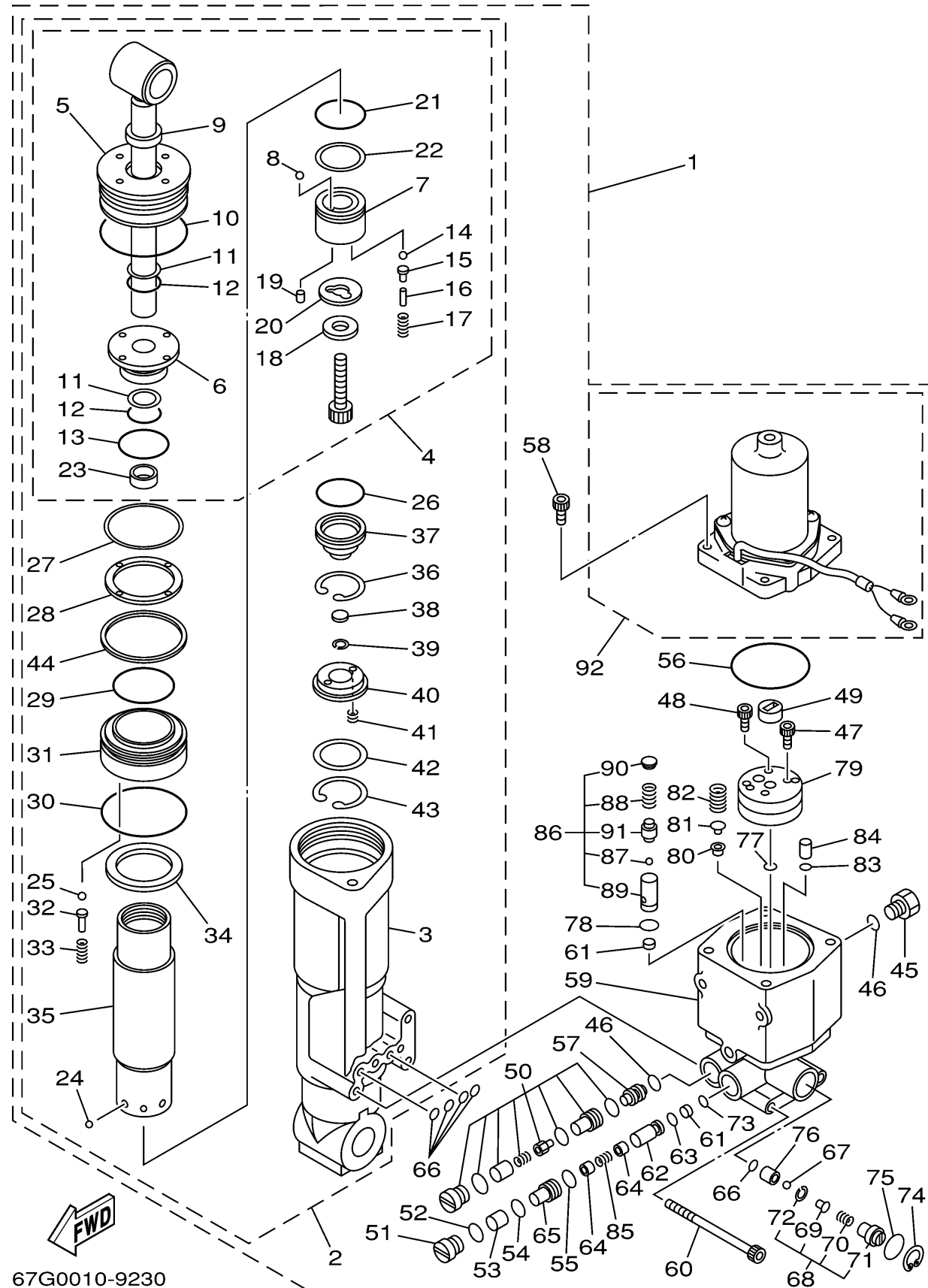


67G0010-9230
f80_100ltra_txra

POWER TRIM TILT ASSY 1

Ref No.	Part Number	Description	Qty	Remarks
41	62X-4384H-00-00	. . SPRING	2	
42	1UF-22434-00-00	. . PLATE, VALVE 1	1	
43	62X-43875-00-00	. . RING, SNAP	1	
44	67F-43871-00-00	. . RING, BACK UP	1	
45	6H1-43829-00-00	. PLUG, RESERVOIR	1	
46	93210-09165-00	. O-RING	2	
47	91318-06035-00	. BOLT	3	
48	91318-06020-00	. BOLT	1	
49	6H1-43831-10-00	. CONNECTOR, SHAFT	1	
50	67F-43802-00-00	. VALVE SUB ASSY	2	
51	67F-4382F-00-00	. ADAPTOR 3	1	
52	6H1-43866-00-00	. .O-RING	1	
53	67F-43817-00-00	. FILTER 2	1	
54	93210-10M74-00	. O-RING	1	
55	6H1-43867-00-00	. .O-RING	1	
56	62X-43865-00-00	. O-RING	1	
57	62X-43841-00-00	. PISTON, SHUTTLE	1	
58	65W-43888-00-00	. BOLT, SOCKET	4	
59	67F-43825-00-00	. HOUSING, TRIM & TILT	1	
60	62X-43878-00-00	. .BOLT, SOCKET	3	

CONTINUED ON NEXT FRAME >

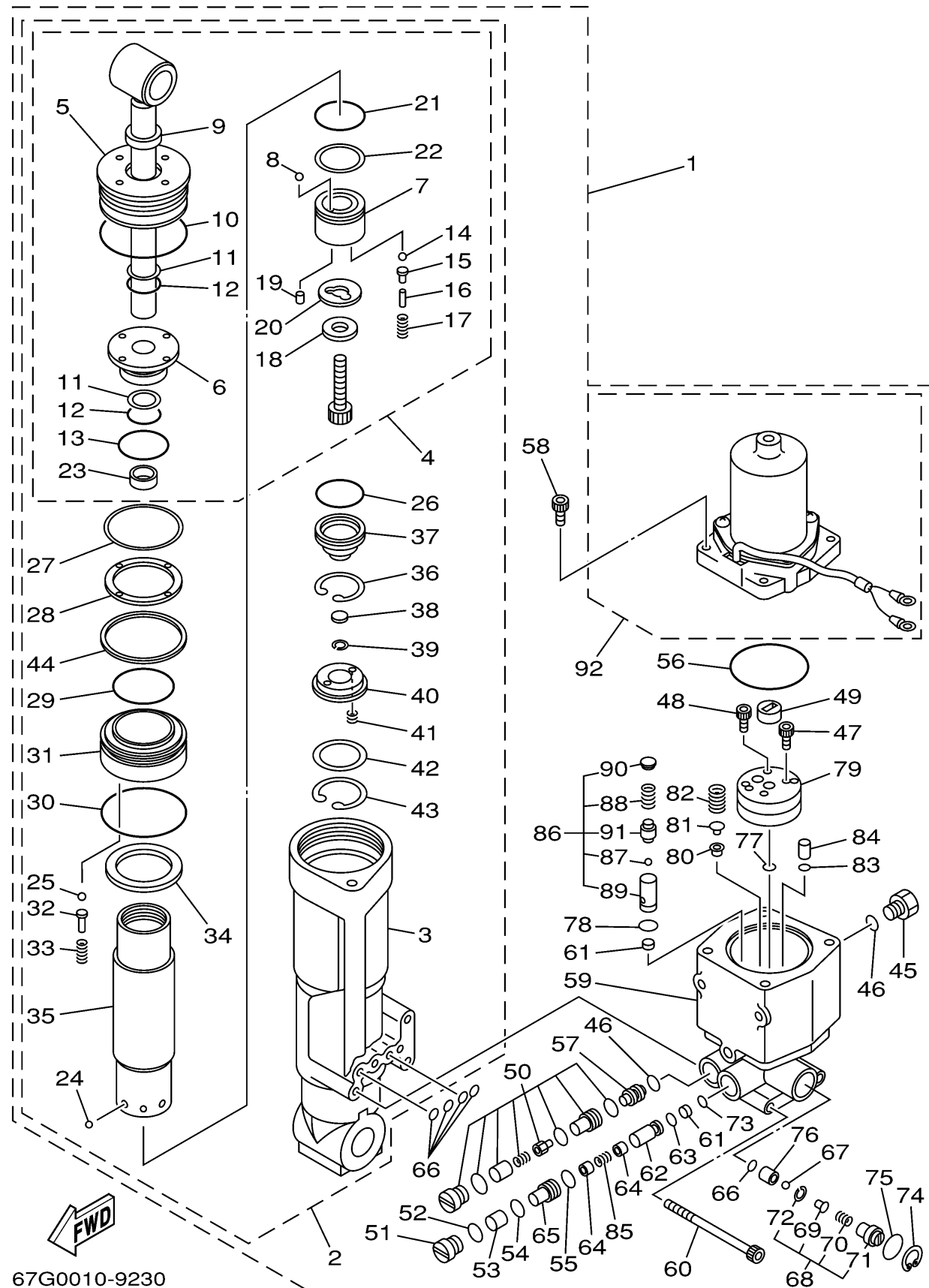


67G0010-9230
f80_100ltra_txra

POWER TRIM TILT ASSY 1

Ref No.	Part Number	Description	Qty	Remarks
61	6H1-43816-00-00	. FILTER 1	2	
62	67F-43851-00-00	. SEAT, RELIEF VALVE	1	
63	93210-07003-00	. O-RING	1	
64	67F-43808-00-00	. SEAT VALVE COMP. 1	2	
65	67F-4382G-00-00	. SCREW, VALVE SEAT	1	
66	93210-064A5-00	. .O-RING	5	
67	93505-32038-00	. .BALL	1	
68	61A-43860-20-00	. MANUAL VALVE SUB-ASSY	1	
69	61A-43848-00-00	. . .ROD, MANUAL RELEASE	1	
70	61A-43854-00-00	. . .SPRING, MANUAL RELEASE	1	
71	61A-43845-00-00	. . .SCREW, MANUAL RELEASE	1	
72	61A-43875-00-00	. . .RING, SNAP	1	
73	93210-06100-00	. O-RING	1	
74	6H1-43875-00-00	. RING, SNAP	1	
75	93210-18397-00	. O-RING	1	
76	61A-43847-00-00	. .SEAT, MANUAL VALVE	1	
77	65W-43862-00-00	. O-RING	2	
78	93210-11368-00	. O-RING	1	
79	67F-43830-00-00	. GEAR PUMP ASSY	1	
80	6H1-4384F-10-00	. .SEAL, MAIN VALVE	1	

CONTINUED ON NEXT FRAME >



67G0010-9230
f80_100ltra_txra

POWER TRIM TILT ASSY 1

Ref No.	Part Number	Description	Qty	Remarks
81	6H1-43844-10-00	. .PIN, VALVE SUPPORT	1	
82	6H1-43856-10-00	. .SPRING, DOWN RELIEF	1	
83	65W-43861-00-00	. O-RING	2	
84	65W-43817-00-00	. .FILTER 2	2	
85	67F-4385H-00-00	. SPRING, SEAL	1	
86	67F-43850-00-00	. VALVE SUB ASSY	1	
87	93501-08001-00	. . .BALL	1	
88	6H1-43856-10-00	. . .SPRING, DOWN RELIEF	1	
89	67F-43895-00-00	. . .SEAT, RELIEF VALVE	1	
90	67F-43843-00-00	. . .SCREW, VALVE LOCK	1	
91	67F-4386A-00-00	. . .PIN, ABSORBER VALVE	1	
92	67F-43880-00-00	. MOTOR ASSY	1	REFER TO FIG.26