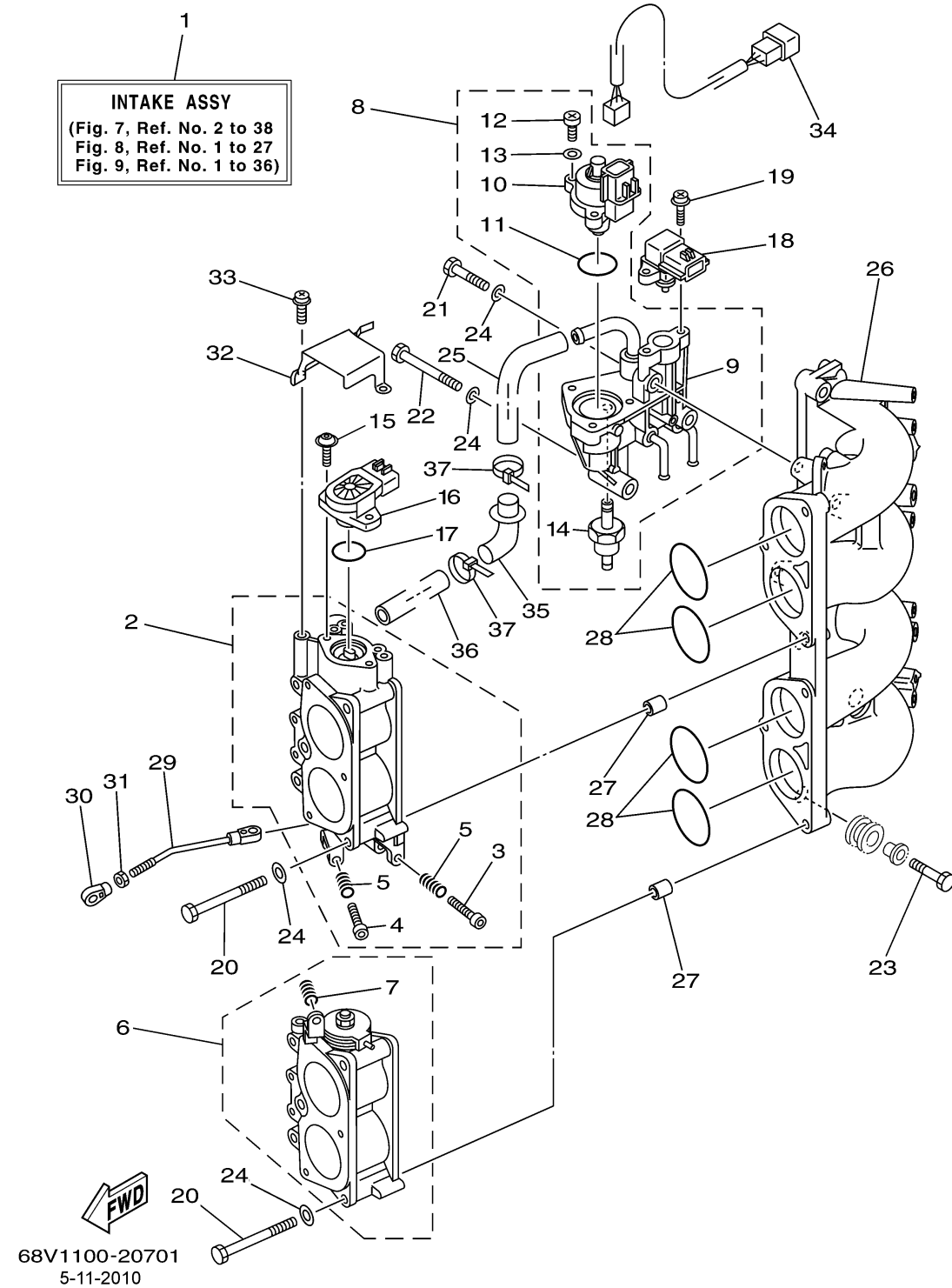


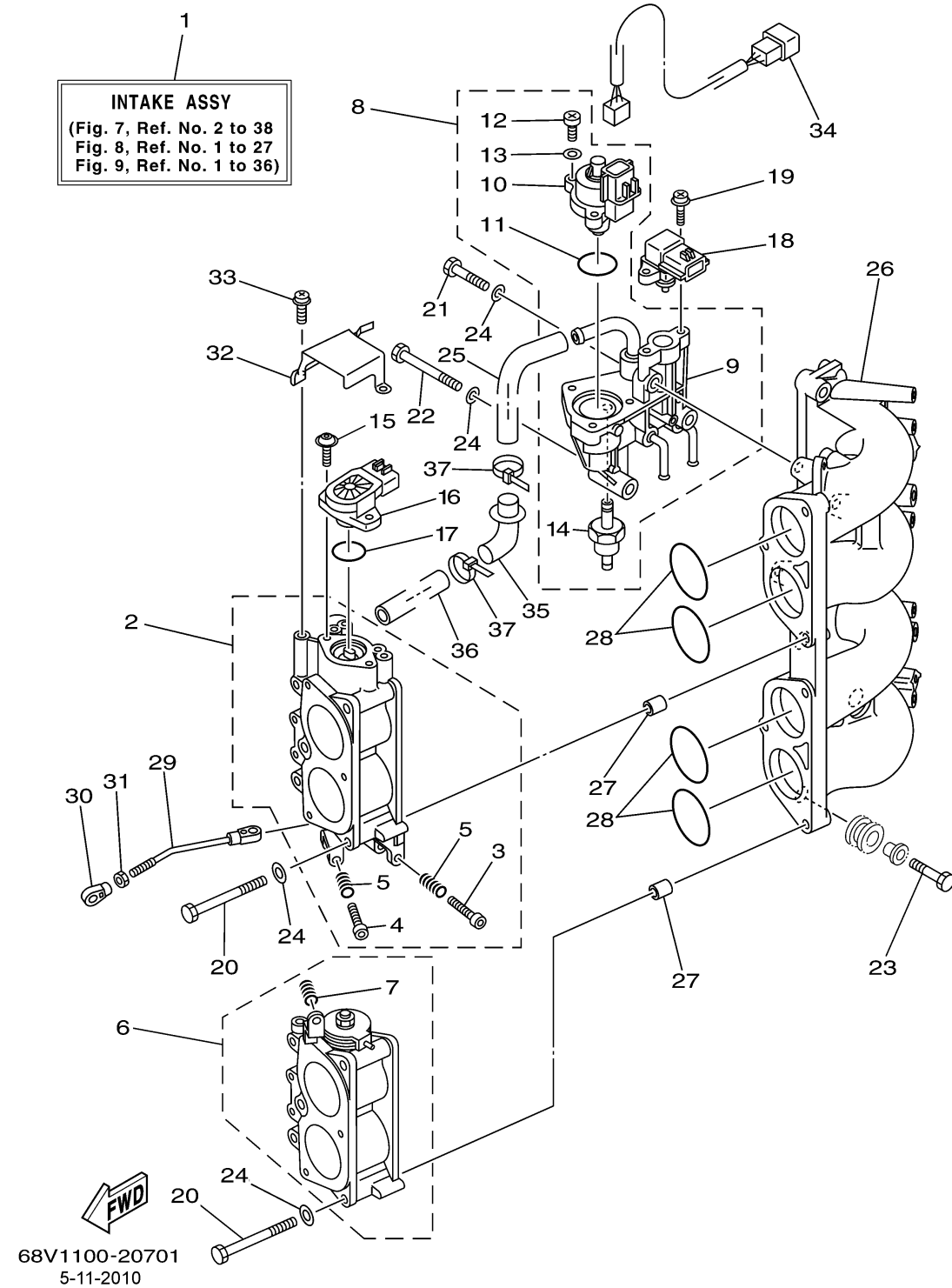
INTAKE 2



Ref No.	Part Number	Description	Qty	Remarks
1	68V-14200-02-00	INTAKE ASSY	1	
2	68V-13751-01-00	BODY, THROTTLE 1	1	
3	68V-14323-00-00	. .SCREW, AIR ADJUSTING	1	
4	68V-14321-00-00	. .SCREW, THROTTLE	1	
5	68V-14331-00-00	. .SPRING, THROTTLE VALVE	2	
6	68V-13752-01-00	BODY, THROTTLE 2	1	
7	68V-14331-00-00	. .SPRING, THROTTLE VALVE	1	
8	68V-13105-00-00	CONTROL VALVE ASSY	1	
9	68V-14960-00-00	. .BODY ASSY	1	
10	68V-1312A-00-00	. VALVE, CONTROL	1	
11	68V-13473-00-00	. O-RING	1	
12	68V-81146-00-00	. SCREW 2	3	
13	68V-81162-00-00	. WASHER, PLAIN	3	
14	68V-14511-00-00	. .FILTER ASSY	1	
15	68V-81145-01-00	SCREW 1	2	
16	68V-85885-00-00	THROTTLE SENSOR ASSY	1	
17	68V-8182L-00-00	O-RING 1	1	
18	68V-82380-00-00	SENSOR, PRESSURE	1	
19	68V-81147-00-00	SCREW 3	2	
20	68V-14496-00-00	BOLT	6	

CONTINUED ON NEXT FRAME >

INTAKE 2



Ref No.	Part Number	Description	Qty	Remarks
21	68V-13574-00-00	BOLT 2	1	
22	68V-13573-00-00	BOLT 1	2	
23	68V-14777-00-00	BOLT	3	
24	68V-14475-00-00	WASHER	9	
25	68V-14419-10-00	PIPE	1	
26	68V-13641-00-94	MANIFOLD 1	1	
27	99530-10114-00	PIN, DOWEL	4	
28	93210-48MG8-00	O-RING	4	
29	68V-41237-00-00	JOINT, LINK	1	
30	6H4-41237-00-00	JOINT, LINK	1	
31	95380-05700-00	NUT	1	
32	68V-1441L-00-00	BRACKET 1	1	
33	68V-81145-00-00	SCREW 1	3	
34	68V-8259N-00-00	WIRE HARNESS ASSY 3	1	
35	68V-14453-00-00	JOINT, AIR CLEANER 1	1	
36	68V-1441J-00-00	PIPE, SILENCER	1	
37	68V-2417H-00-00	CLAMP 1	2	