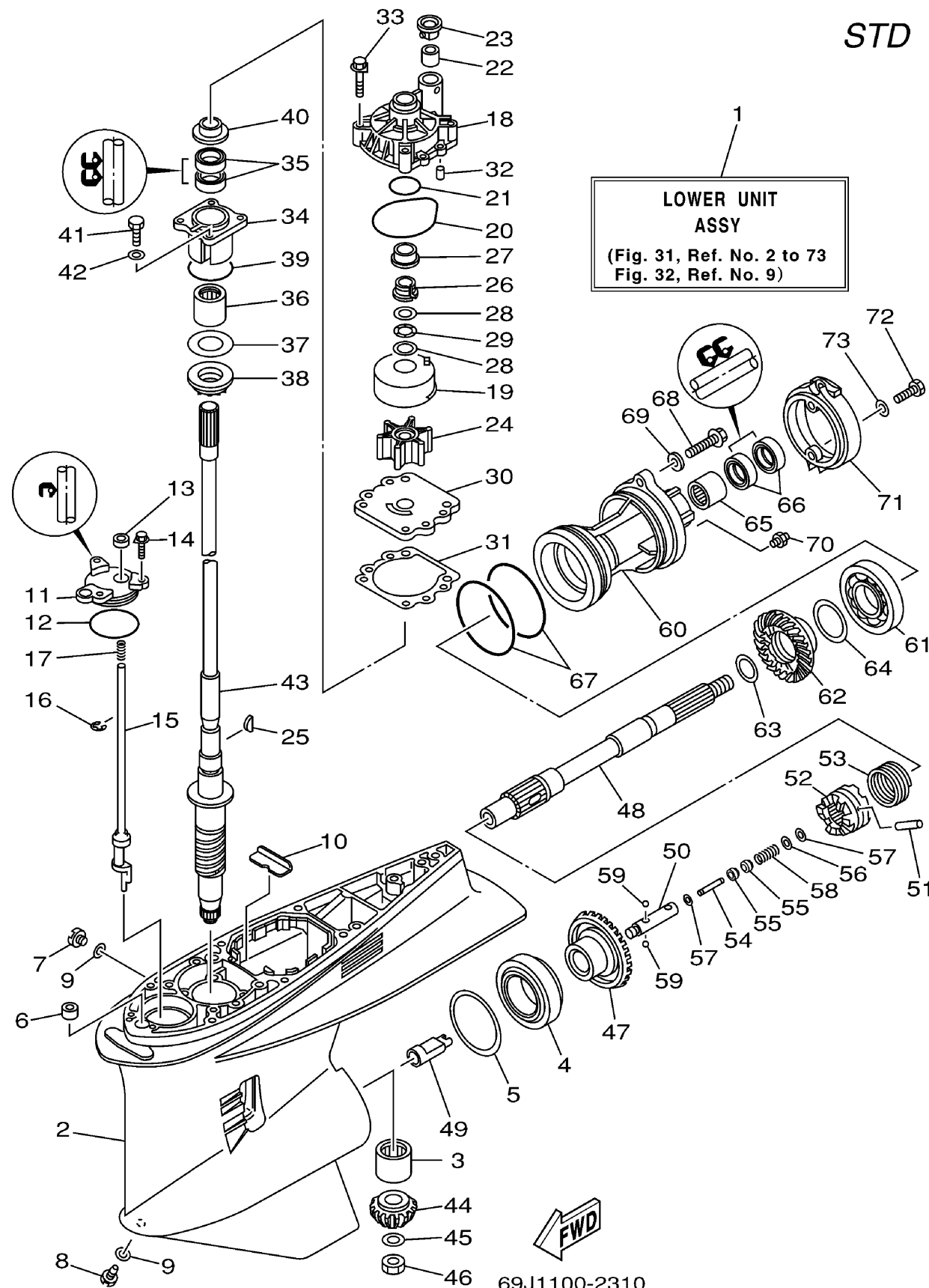


STD



LOWER UNIT ASSY
(Fig. 31, Ref. No. 2 to 73
Fig. 32, Ref. No. 9)

LOWER CASING. DRIVE 1 (F225)

Ref No.	Part Number	Description	Qty	Remarks
1	69J-45300-30-8D	LOWER UNIT ASSY	1	UR U(69J1)
1	69J-45300-20-8D	LOWER UNIT ASSY	1	UR X(69J1)
2	61A-45301-03-8D	CASING, LOWER	1	(69J1)
3	93311-832V2-00	BEARING	1	(69J1)
4	93332-000W1-00	BEARING	1	(69J1)
5	61A-45567-00-12	SHIM (T:0.12MM)	1	UR(69J1)
5	61A-45567-00-10	SHIM (T:0.10MM)	1	UR(69J1)
5	61A-45567-00-15	SHIM (T:0.15MM)	1	UR(69J1)
5	61A-45567-00-50	SHIM (T:0.50MM)	1	UR(69J1)
5	61A-45567-00-40	SHIM (T:0.40MM)	1	UR(69J1)
5	61A-45567-00-18	SHIM (T:0.18MM)	1	UR(69J1)
5	61A-45567-00-30	SHIM (T:0.30MM)	1	UR(69J1)
6	663-44366-00-00	.DAMPER, WATER SEAL 2	1	(69J1)
7	90340-08M04-00	PLUG, STRAIGHT SCREW	1	(69J1)
8	688-45341-00-00	PLUG, DRAIN	1	(69J1)
9	90430-08020-00	.GASKET	2	(69J1)
10	61A-45376-00-94	GUIDE, SEAL DAMPER	1	(69J1)
11	61A-45321-01-00	PLATE	1	(69J1)
12	93210-64488-00	.O-RING	1	(69J1)
13	93106-09014-00	.OIL SEAL	1	(69J1)

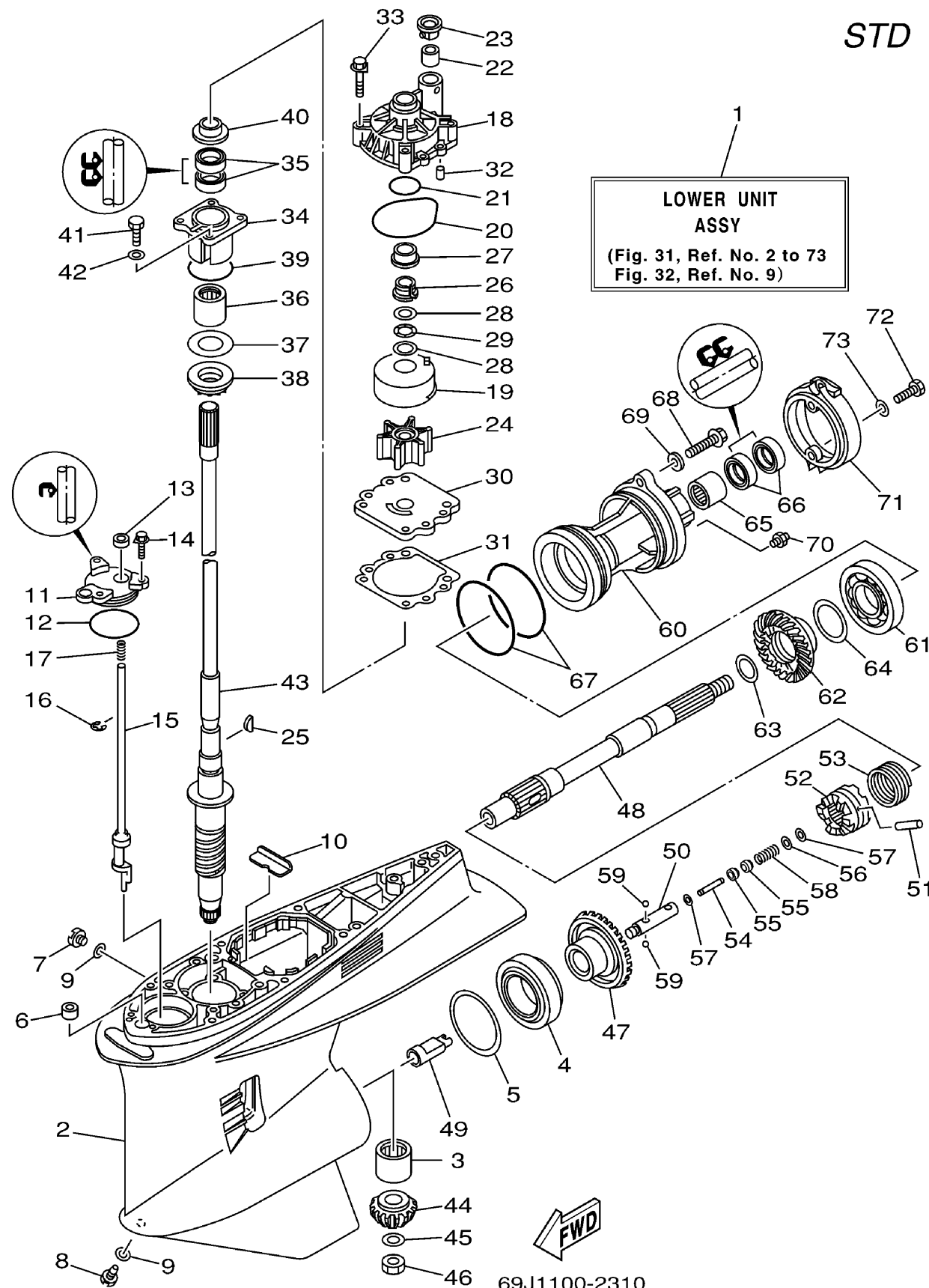
CONTINUED ON NEXT FRAME >

f225txra_f225tura_lf225txra_lf225tura

69J1100-2310

F12

STD



**LOWER UNIT
ASSY**
(Fig. 31, Ref. No. 2 to 73
Fig. 32, Ref. No. 9)

LOWER CASING. DRIVE 1 (F225)

Ref No.	Part Number	Description	Qty	Remarks
14	90119-06M10-00	BOLT, WITH WASHER	3	(69J1)
15	69J-44150-00-00	SHIFT CAM ASSY	1	(69J1)
16	93430-08006-00	CIRCLIP	1	(69J1)
17	90501-11M10-00	SPRING, COMPRESSION	1	(69J1)
18	61A-44311-01-00	HOUSING, WATER PUMP	1	(69J1)
19	61A-44322-02-00	.INSERT, CARTRIDGE	1	(69J1)
20	93210-86M38-00	.O-RING	1	(69J1)
21	93210-37160-00	.O-RING	1	(69J1)
22	6E5-44365-00-00	.DAMPER, WATER SEAL 1	1	(69J1)
23	6E5-44312-00-00	COVER, WATER PUMP HOUSING	1	(69J1)
24	6E5-44352-01-00	.IMPELLER	1	(69J1)
25	90280-04M05-00	.KEY, WOODRUFF	1	(69J1)
26	61A-45538-00-00	SPACER 1	1	(69J1)
27	61A-45527-00-00	COLLAR, DRIVE SHAFT	1	(69J1)
28	90201-22M01-00	WASHER, PLATE	2	(69J1)
29	90206-22M19-00	WASHER, WAVE	1	(69J1)
30	6G5-44323-00-00	.OUTER PLATE, CARTRIDGE	1	(69J1)
31	6E5-44315-A0-00	.GASKET, WATER PUMP	1	(69J1)
32	93606-12019-00	PIN, DOWEL	2	(69J1)
33	90119-08M14-00	BOLT, WITH WASHER	4	(69J1)

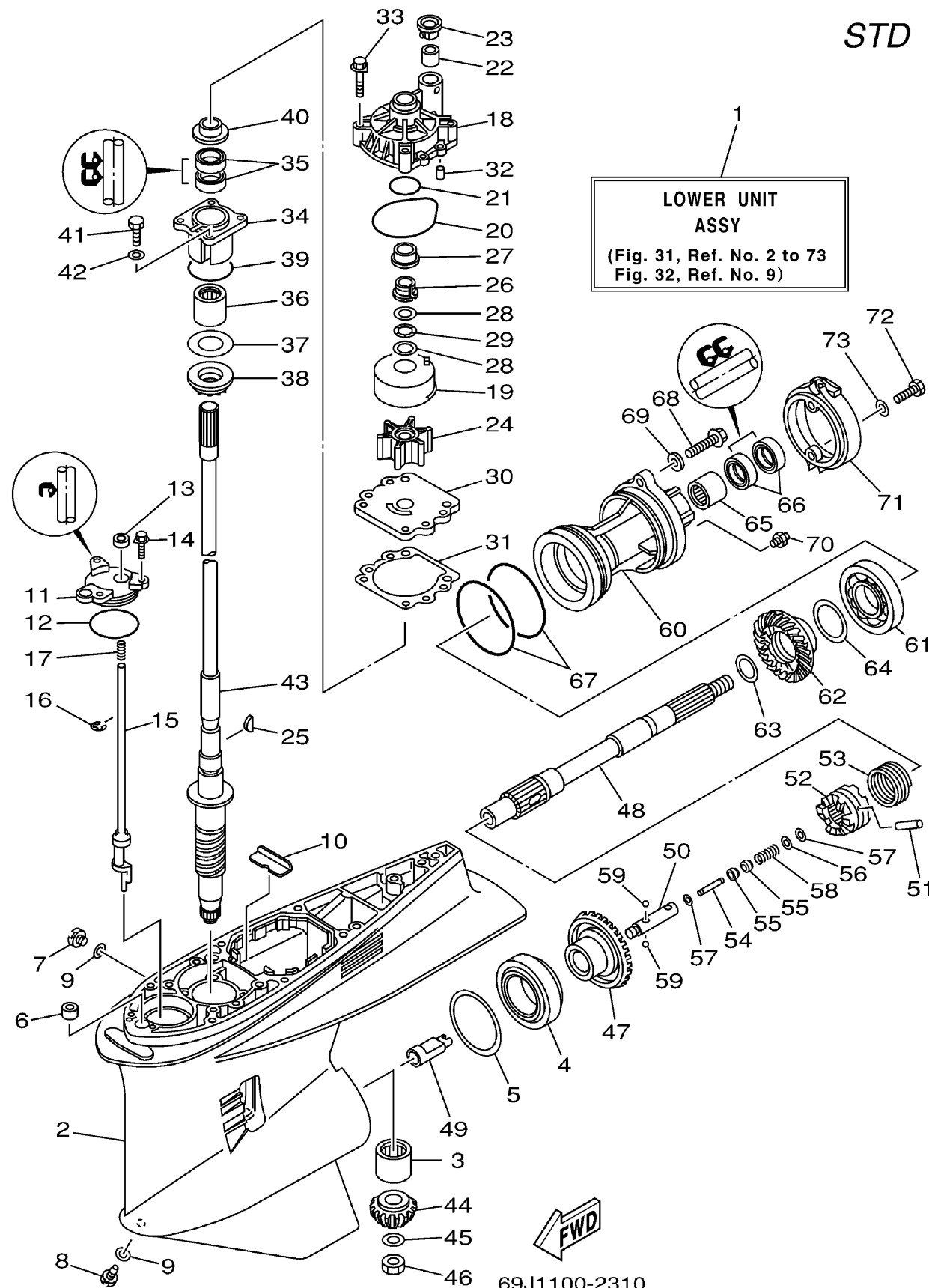
CONTINUED ON NEXT FRAME >

f225txra_f225tura_lf225txra_lf225tura

69J1100-2310

G1

STD



69J1100-2310

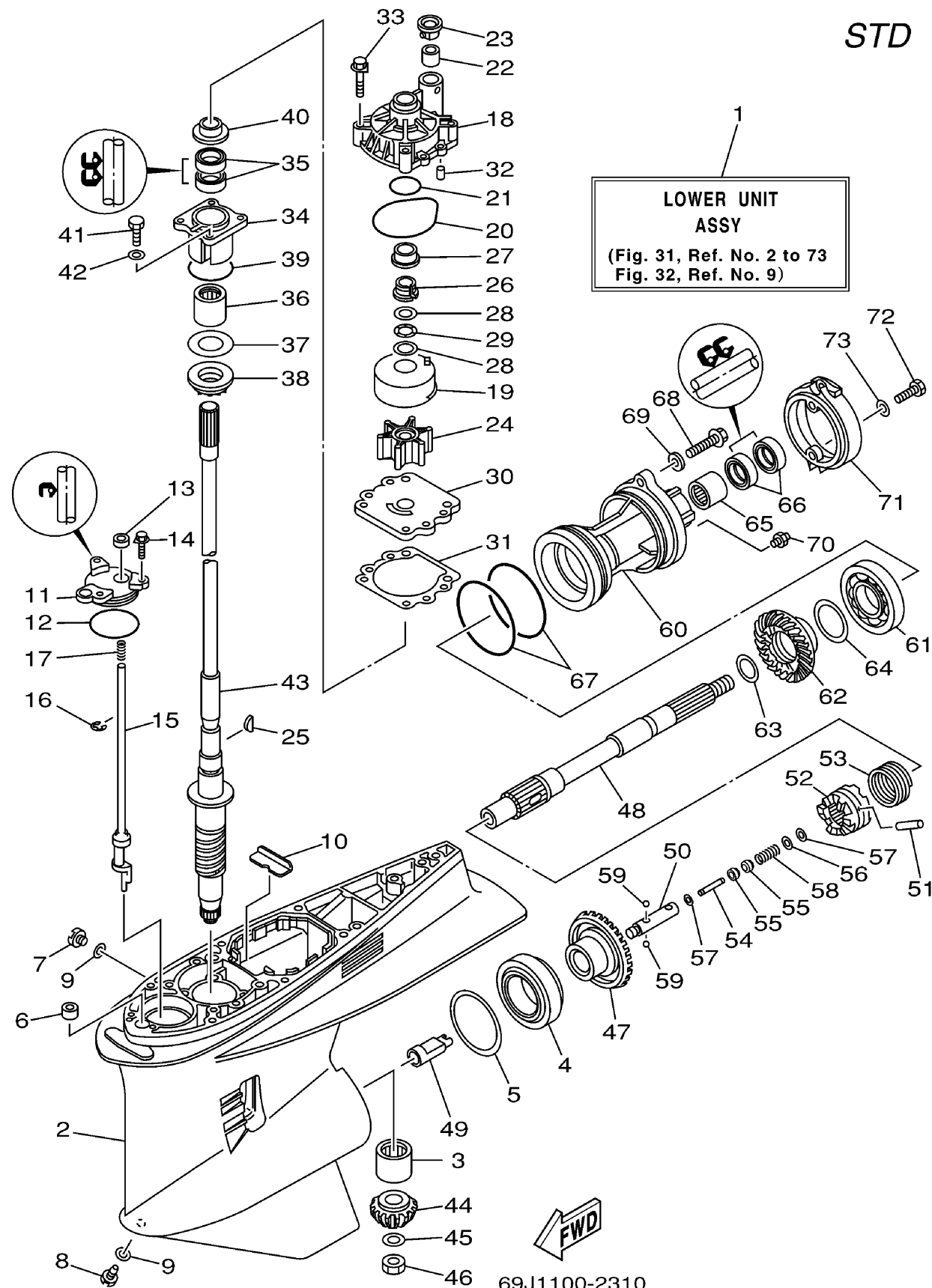
f225txra_f225tura_lf225txra_lf225tura

LOWER CASING. DRIVE 1 (F225)

Ref No.	Part Number	Description	Qty	Remarks
34	61A-45331-00-94	HOUSING, BEARING	1	(69J1)
35	93101-28M16-00	OIL SEAL	2	(69J1)
36	93317-330U2-00	BEARING	1	(69J1)
37	61A-45587-00-10	SHIM (T:0.10MM)	1	UR(69J1)
37	61A-45587-00-12	SHIM (T:0.12MM)	1	UR(69J1)
37	61A-45587-00-15	SHIM (T:0.15MM)	1	UR(69J1)
37	61A-45587-00-18	SHIM (T:0.18MM)	1	UR(69J1)
37	61A-45587-00-30	SHIM (T:0.30MM)	1	UR(69J1)
37	61A-45587-00-40	SHIM (T:0.40MM)	1	UR(69J1)
37	61A-45587-00-50	SHIM (T:0.50MM)	1	UR(69J1)
38	93341-930U9-00	BEARING	1	(69J1)
39	93210-55M14-00	.O-RING	1	(69J1)
40	6E5-45344-00-00	COVER, OIL SEAL	1	(69J1)
41	97095-08025-00	BOLT	4	(69J1)
42	92995-08600-00	WASHER	4	(69J1)
43	61A-45501-30-00	DRIVE SHAFT COMP.	1	UR U(69J1)
43	69J-45501-00-00	DRIVE SHAFT COMP.	1	UR X(69J1)
44	69J-45551-00-00	PINION (15T)	1	(69J1)
45	90201-16M00-00	WASHER, PLATE	1	(69J1)
46	90170-16M19-00	NUT	1	(69J1)

CONTINUED ON NEXT FRAME >

STD



69J1100-2310

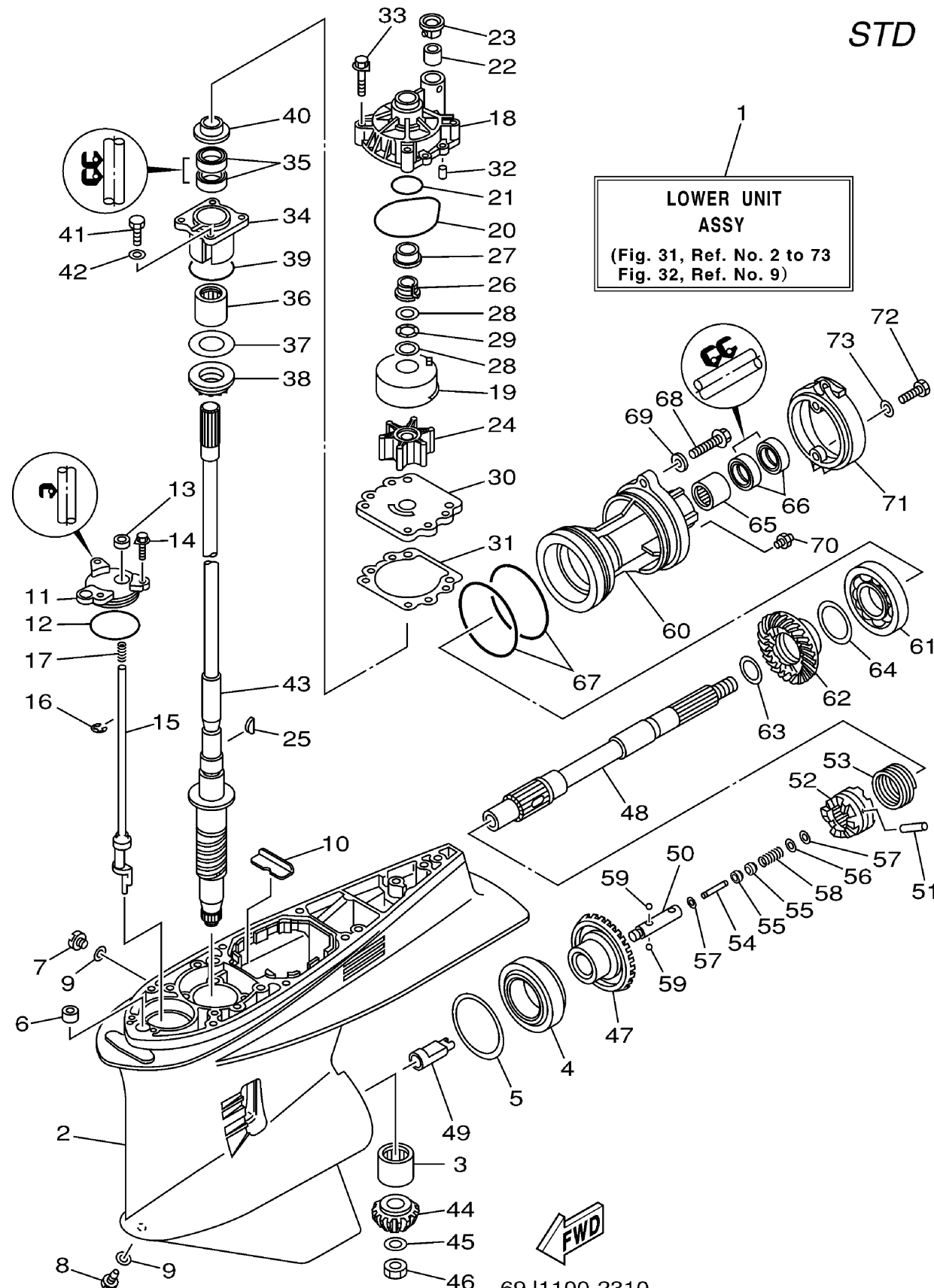
f225txra_f225tura_lf225txra_lf225tura

LOWER CASING. DRIVE 1 (F225)

Ref No.	Part Number	Description	Qty	Remarks
47	69J-45560-00-00	GEAR 1 (30T)	1	(69J1)
48	69J-45611-00-00	SHAFT, PROPELLER	1	(69J1)
49	69J-45641-00-00	SHIFTER	1	(69J1)
50	61A-45634-01-00	SLIDE, SHIFT	1	(69J1)
51	61A-45632-00-00	PIN, CROSS	1	(69J1)
52	69J-45631-00-00	CLUTCH, DOG	1	(69J1)
53	61A-45633-00-00	RING, CROSS PIN	1	(69J1)
54	6H1-45668-00-00	SHAFT, FREE 1	1	(69J1)
55	61A-45635-00-00	PLUNGER, SHIFT	2	(69J1)
56	90201-02M00-00	WASHER, PLATE	1	(69J1)
57	90183-02M03-00	NUT, SPRING	2	(69J1)
58	90501-10M77-00	SPRING, COMPRESSION	1	(69J1)
59	93501-04011-00	BALL	2	(69J1)
60	69J-45332-00-94	HOUSING, BEARING	1	(69J1)
61	93306-210U0-00	BEARING	1	(69J1)
62	69J-45571-00-00	GEAR 2 (30T)	1	(69J1)
63	90201-31M00-00	WASHER, PLATE	1	(69J1)
64	61A-45577-00-10	SHIM (T:0.10MM)	1	UR(69J1)
64	61A-45577-00-12	SHIM (T:0.12MM)	1	UR(69J1)
64	61A-45577-00-15	SHIM (T:0.15MM)	1	UR(69J1)

CONTINUED ON NEXT FRAME >

STD



**LOWER UNIT
ASSY**
(Fig. 31, Ref. No. 2 to 73
Fig. 32, Ref. No. 9)

LOWER CASING. DRIVE 1 (F225)

Ref No.	Part Number	Description	Qty	Remarks
64	61A-45577-00-18	SHIM (T:0.18MM)	1	UR(69J1)
64	61A-45577-00-30	SHIM (T:0.30MM)	1	UR(69J1)
64	61A-45577-00-40	SHIM (T:0.40MM)	1	UR(69J1)
64	61A-45577-00-50	SHIM (T:0.50MM)	1	UR(69J1)
65	93315-43061-00	BEARING	1	(69J1)
66	93101-30M17-00	.OIL SEAL	2	(69J1)
67	93211-04384-00	.O-RING	2	(69J1)
68	90105-08036-00	BOLT, FLANGE	2	(69J1)
69	90201-08023-00	WASHER, PLATE	2	(69J1)
70	93700-09M00-00	NIPPLE, GREASE	1	(69J1)
71	69J-45361-00-8D	CAP, LOWER CASING	1	(69J1)
72	97095-08020-00	BOLT	2	(69J1)
73	92995-08600-00	WASHER	2	(69J1)

f225txra_f225tura_lf225txra_lf225tura

69J1100-2310

G4