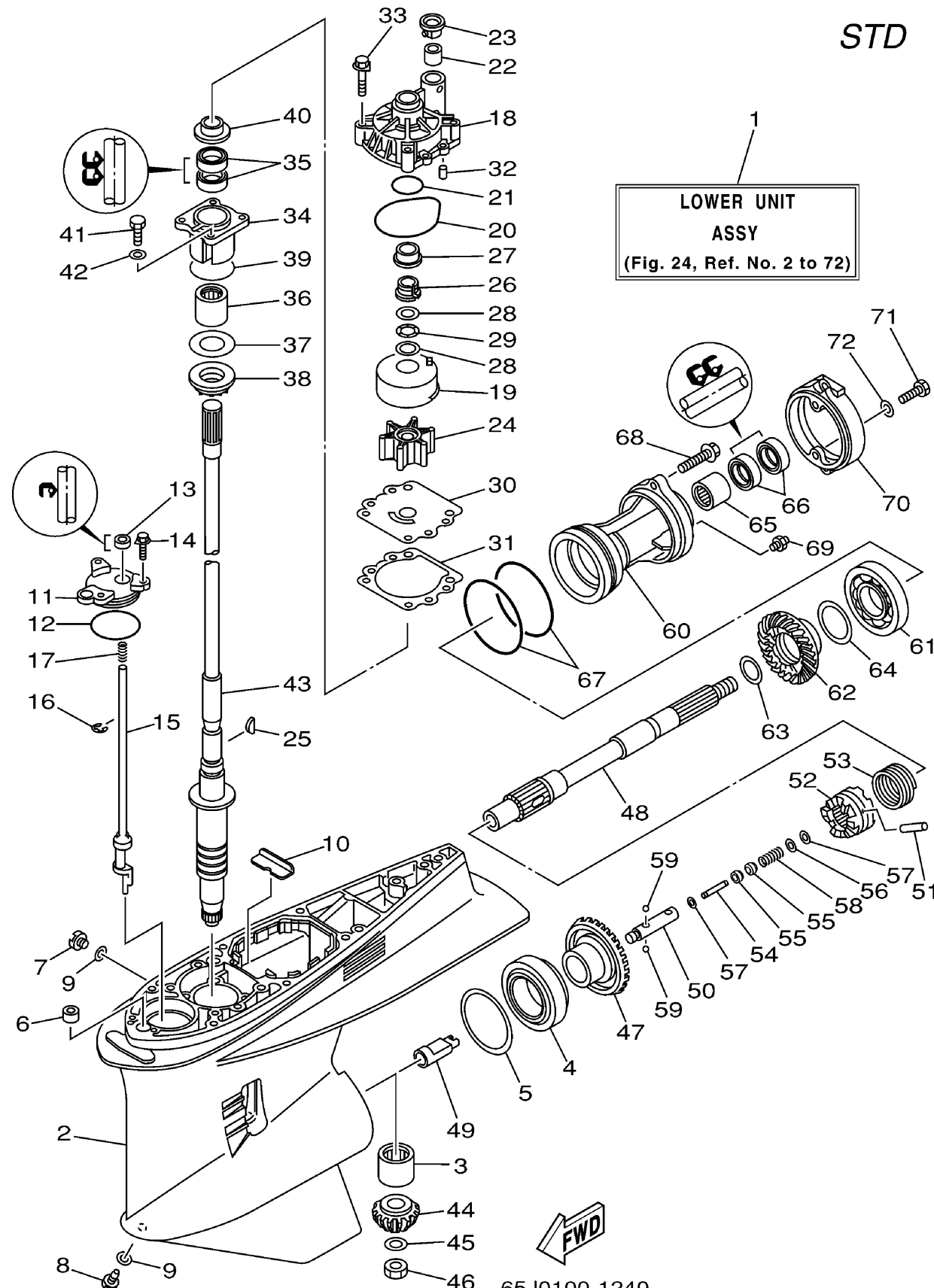


STD



LOWER CASING DRIVE 1 225 250

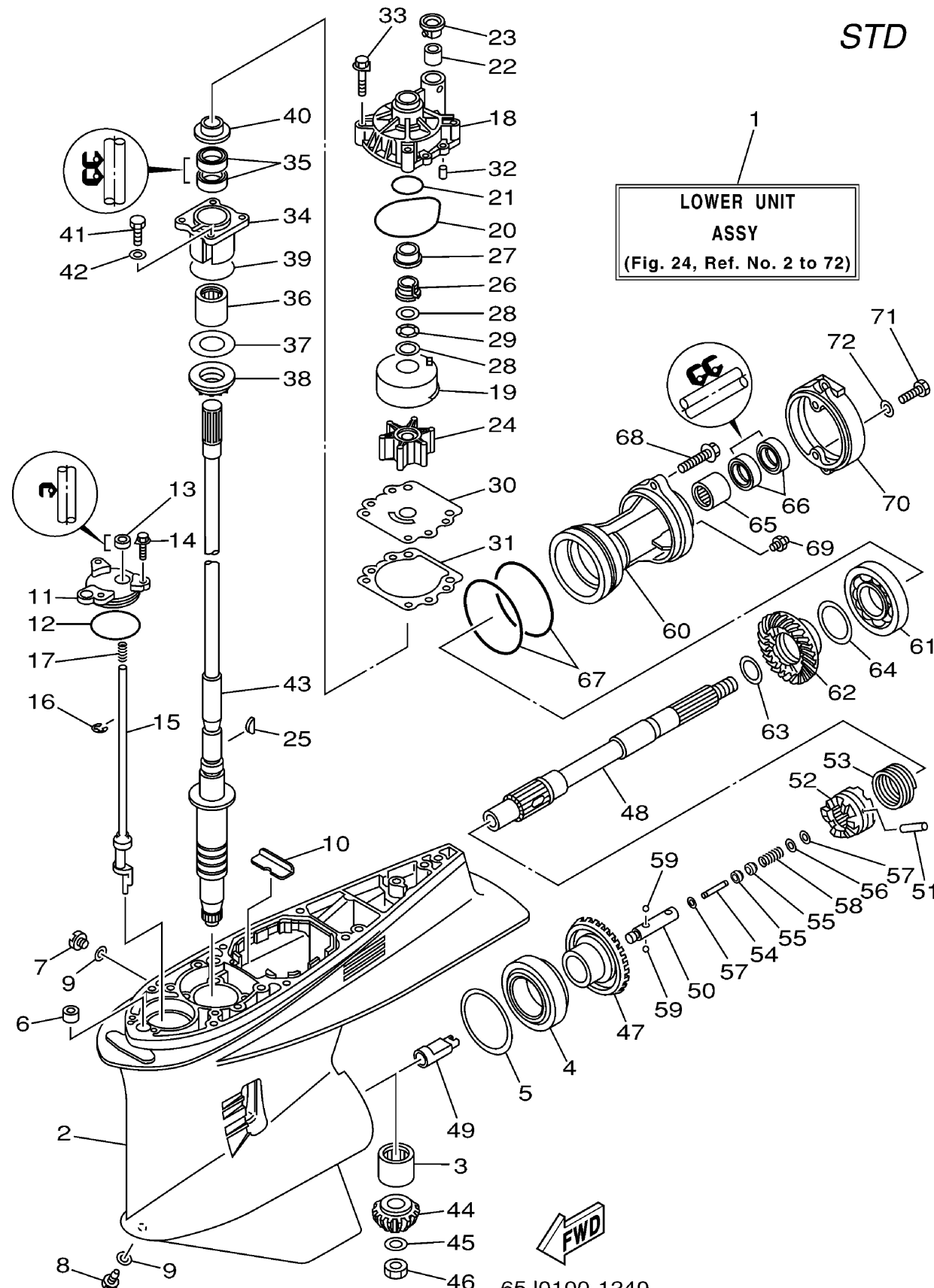
Ref No.	Part Number	Description	Qty	Remarks
1	65J-45300-30-8D	LOWER UNIT ASSY	1	UR U (SX)
1	65J-45300-20-8D	LOWER UNIT ASSY	1	UR X (SX)
2	61A-45301-03-8D	CASING, LOWER	1	(SX)
3	93311-832V2-00	BEARING	1	(SX)
4	93332-000W1-00	BEARING	1	(SX)
5	61A-45567-00-12	SHIM (T:0.12MM)	1	UR (SX)
5	61A-45567-00-10	SHIM (T:0.10MM)	1	UR (SX)
5	61A-45567-00-15	SHIM (T:0.15MM)	1	UR (SX)
5	61A-45567-00-50	SHIM (T:0.50MM)	1	UR (SX)
5	61A-45567-00-40	SHIM (T:0.40MM)	1	UR (SX)
5	61A-45567-00-18	SHIM (T:0.18MM)	1	UR (SX)
5	61A-45567-00-30	SHIM (T:0.30MM)	1	UR (SX)
6	663-44366-00-00	DAMPER, WATER SEAL 2	1	(SX)
7	90340-08M04-00	PLUG, STRAIGHT SCREW	1	(SX)
8	688-45341-00-00	PLUG, DRAIN	1	(SX)
9	90430-08020-00	.GASKET	2	(SX)
10	61A-45376-00-94	GUIDE, SEAL DAMPER	1	(SX)
11	61A-45321-01-00	PLATE	1	(SX)
12	93210-64488-00	.O-RING	1	(SX)
13	93106-09014-00	.OIL SEAL	1	(SX)

CONTINUED ON NEXT FRAME >

sx225tra_sx250tra_ix225tra_ix250tra

65J0100-1240

STD



1
LOWER UNIT
ASSY
(Fig. 24, Ref. No. 2 to 72)

LOWER CASING DRIVE 1 225 250

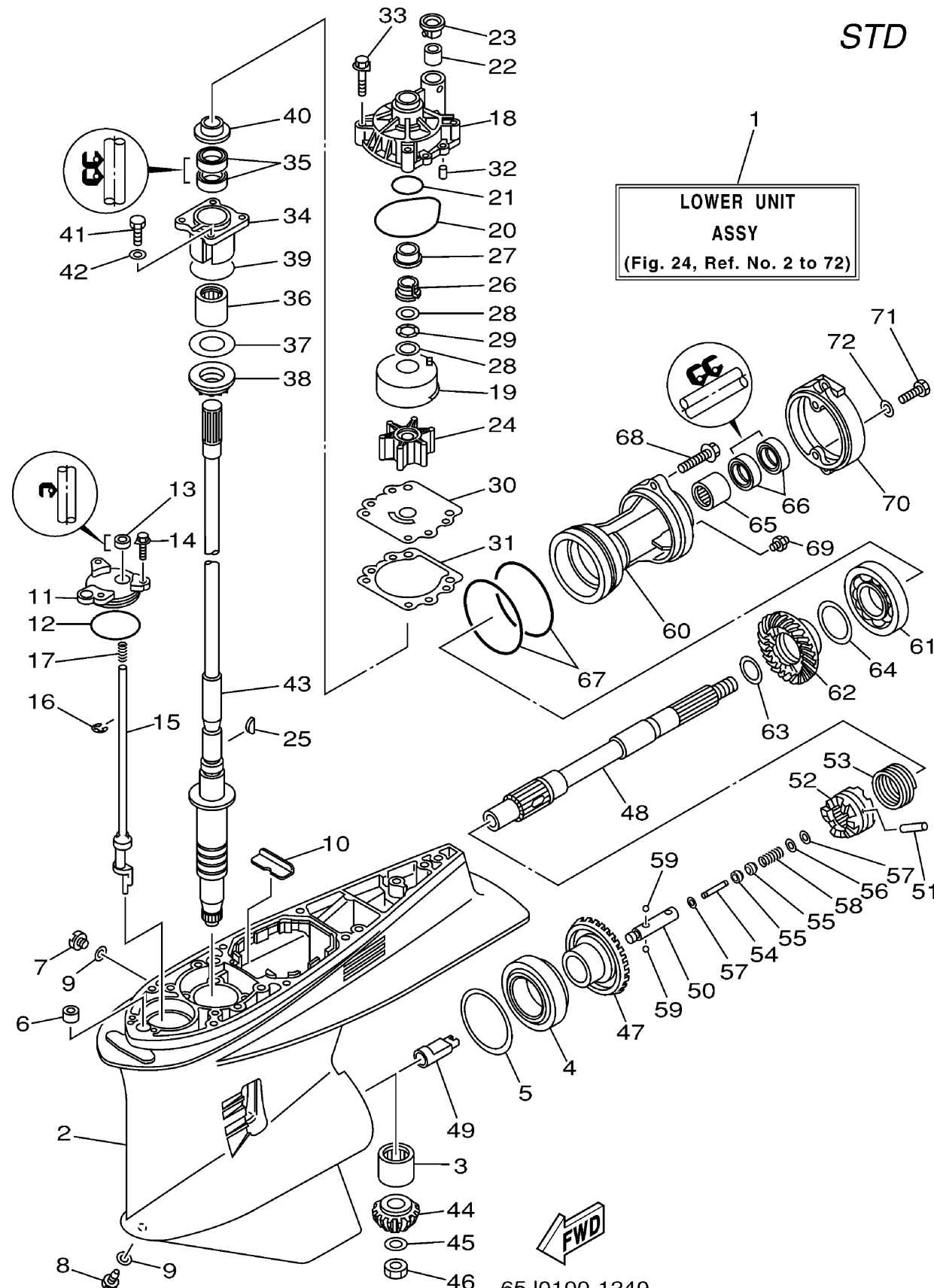
Ref No.	Part Number	Description	Qty	Remarks
14	90119-06M10-00	BOLT, WITH WASHER	3	(SX)
15	61A-44150-01-00	SHIFT CAM ASSY	1	(SX)
16	93430-08006-00	CIRCLIP	1	(SX)
17	90501-11M10-00	SPRING, COMPRESSION	1	(SX)
18	61A-44311-01-00	HOUSING, WATER PUMP	1	(SX)
19	61A-44322-02-00	.INSERT, CARTRIDGE	1	(SX)
20	93210-86M38-00	.O-RING	1	(SX)
21	93210-37160-00	.O-RING	1	(SX)
22	6E5-44365-00-00	DAMPER, WATER SEAL 1	1	(SX)
23	6E5-44312-00-00	COVER, WATER PUMP HOUSING	1	(SX)
24	6E5-44352-01-00	.IMPELLER	1	(SX)
25	90280-04M05-00	.KEY, WOODRUFF	1	(SX)
26	61A-45538-00-00	SPACER 1	1	(SX)
27	61A-45527-00-00	COLLAR, DRIVE SHAFT	1	(SX)
28	90201-22M01-00	WASHER, PLATE	2	(SX)
29	90206-22M19-00	WASHER, WAVE	1	(SX)
30	6G5-44323-00-00	.OUTER PLATE, CARTRIDGE	1	(SX)
31	6E5-44315-A0-00	.GASKET, WATER PUMP	1	(SX)
32	93606-12019-00	PIN, DOWEL	2	(SX)
33	90119-08M14-00	.BOLT, WITH WASHER	4	(SX)

CONTINUED ON NEXT FRAME >

65J0100-1240
sx225tra_sx250tra_ix225tra_ix250tra

F5

STD



LOWER UNIT
ASSY
(Fig. 24, Ref. No. 2 to 72)

LOWER CASING DRIVE 1 225 250

Ref No.	Part Number	Description	Qty	Remarks
34	61A-45331-00-94	HOUSING, BEARING	1	(SX)
35	93101-28M16-00	.OIL SEAL	2	(SX)
36	93317-330U2-00	BEARING	1	(SX)
37	61A-45587-00-10	SHIM (T:0.10MM)	1	UR (SX)
37	61A-45587-00-12	SHIM (T:0.12MM)	1	UR (SX)
37	61A-45587-00-15	SHIM (T:0.15MM)	1	UR (SX)
37	61A-45587-00-18	SHIM (T:0.18MM)	1	UR (SX)
37	61A-45587-00-30	SHIM (T:0.30MM)	1	UR (SX)
37	61A-45587-00-40	SHIM (T:0.40MM)	1	UR (SX)
37	61A-45587-00-50	SHIM (T:0.50MM)	1	UR (SX)
38	93341-930U9-00	BEARING	1	(SX)
39	93210-55M14-00	.O-RING	1	(SX)
40	6E5-45344-00-00	COVER, OIL SEAL	1	(SX)
41	97095-08025-00	.BOLT	4	(SX)
42	92995-08600-00	WASHER	4	(SX)
43	61A-45501-20-00	DRIVE SHAFT COMP.	1	UR X (SX)
43	61A-45501-30-00	DRIVE SHAFT COMP.	1	UR U (SX)
44	61A-45551-03-00	PINION (16T)	1	(SX)
45	90201-16M00-00	WASHER, PLATE	1	(SX)
46	90170-16M19-00	NUT	1	(SX)

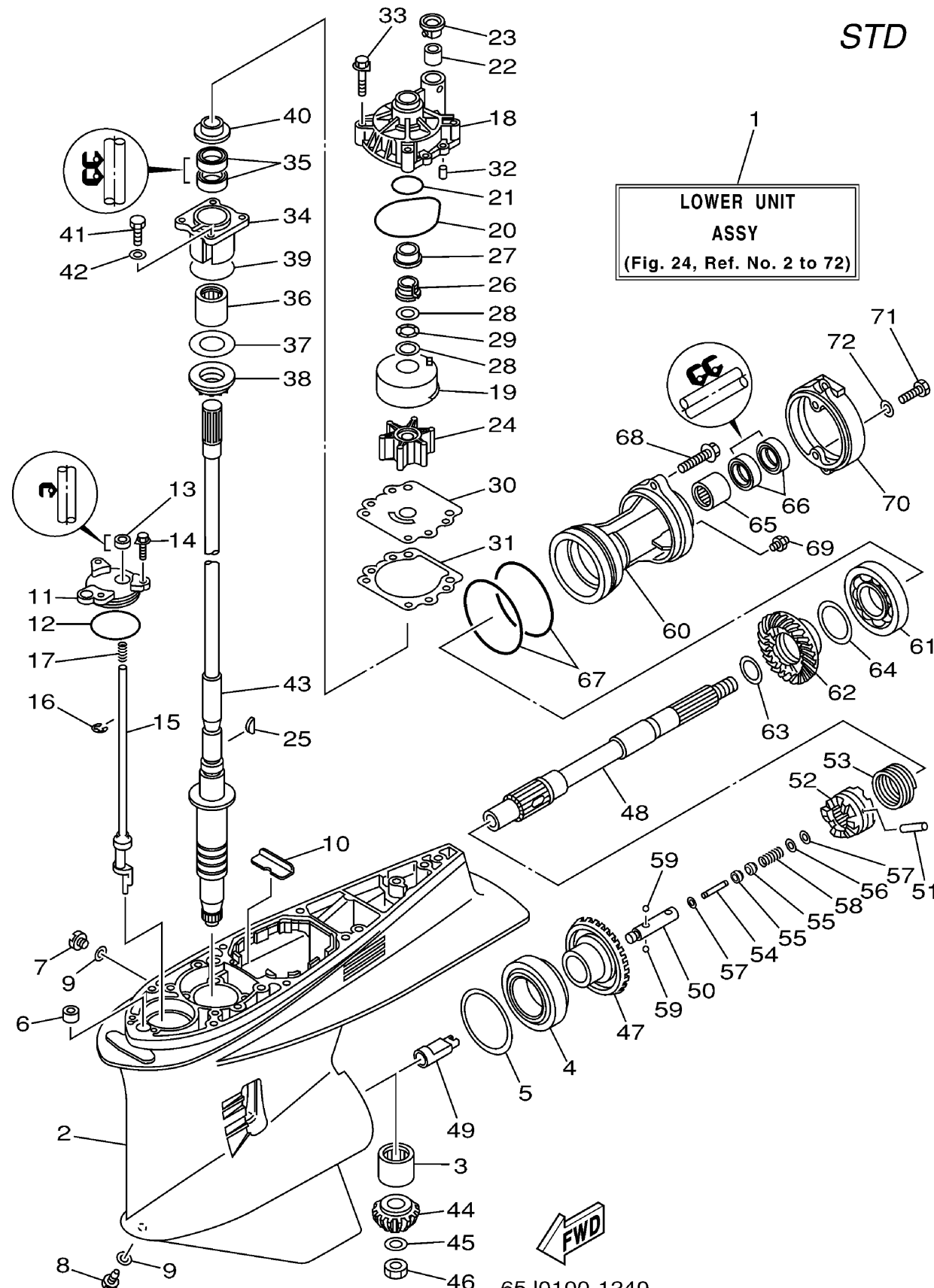
CONTINUED ON NEXT FRAME >

sx225tra_sx250tra_ix225tra_ix250tra

65J0100-1240



STD



LOWER CASING DRIVE 1 225 250

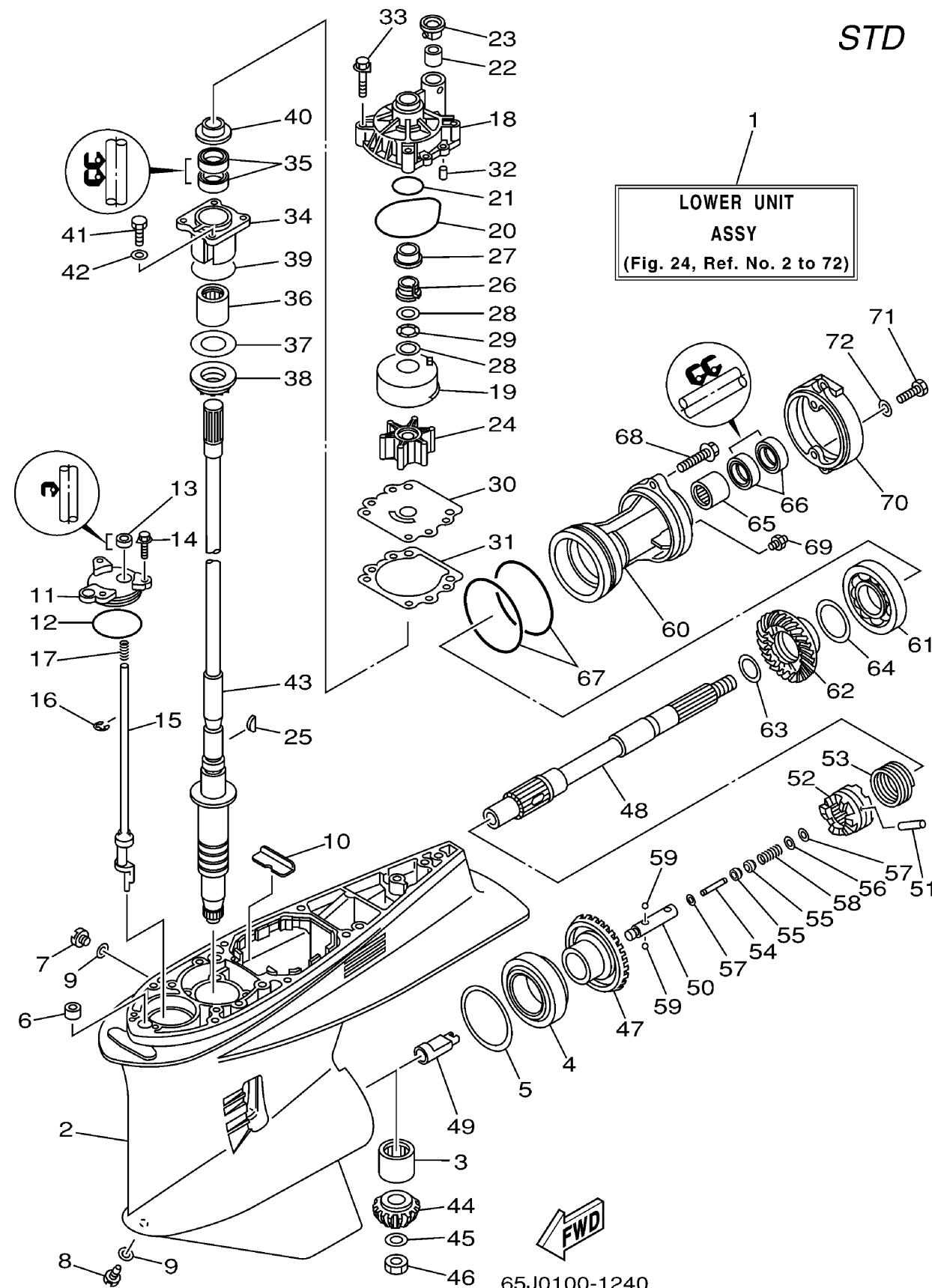
Ref No.	Part Number	Description	Qty	Remarks
47	61A-45560-03-00	GEAR 1 (29T)	1	(SX)
48	61A-45611-02-00	SHAFT, PROPELLER	1	(SX)
49	61A-45641-01-00	SHIFTER	1	(SX)
50	61A-45634-01-00	SLIDE, SHIFT	1	(SX)
51	61A-45632-00-00	PIN, CROSS	1	(SX)
52	61A-45631-03-00	CLUTCH, DOG	1	(SX)
53	61A-45633-00-00	RING, CROSS PIN	1	(SX)
54	6H1-45668-00-00	SHAFT, FREE 1	1	(SX)
55	61A-45635-00-00	PLUNGER, SHIFT	2	(SX)
56	90201-02M00-00	WASHER, PLATE	1	(SX)
57	90183-02M03-00	NUT, SPRING	2	(SX)
58	90501-10M77-00	SPRING, COMPRESSION	1	(SX)
59	93501-04011-00	BALL	2	(SX)
60	61A-45332-02-94	HOUSING, BEARING	1	(SX)
61	93306-210U0-00	BEARING	1	(SX)
62	61A-45571-00-00	GEAR 2 (29T)	1	(SX)
63	90201-31M00-00	WASHER, PLATE	1	(SX)
64	61A-45577-00-10	SHIM (T:0.10MM)	1	UR (SX)
64	61A-45577-00-12	SHIM (T:0.12MM)	1	UR (SX)
64	61A-45577-00-15	SHIM (T:0.15MM)	1	UR (SX)

CONTINUED ON NEXT FRAME >

65J0100-1240
sx225tra_sx250tra_ix225tra_ix250tra

F7

STD



65J0100-1240

sx225tra_sx250tra_ix225tra_ix250tra

LOWER CASING DRIVE 1 225 250

Ref No.	Part Number	Description	Qty	Remarks
64	61A-45577-00-18	SHIM (T:0.18MM)	1	UR (SX)
64	61A-45577-00-30	SHIM (T:0.30MM)	1	UR (SX)
64	61A-45577-00-40	SHIM (T:0.40MM)	1	UR (SX)
64	61A-45577-00-50	SHIM (T:0.50MM)	1	UR (SX)
65	93317-330U5-00	BEARING	1	(SX)
66	93101-30M17-00	.OIL SEAL	2	(SX)
67	93211-04384-00	.O-RING	2	(SX)
68	90105-08M48-00	BOLT, FLANGE	2	(SX)
69	93700-09M00-00	NIPPLE, GREASE	1	(SX)
70	61A-45361-01-5B	CAP, LOWER CASING	1	(SX)
71	97095-08020-00	BOLT	2	(SX)
72	92995-08600-00	WASHER	2	(SX)

F8