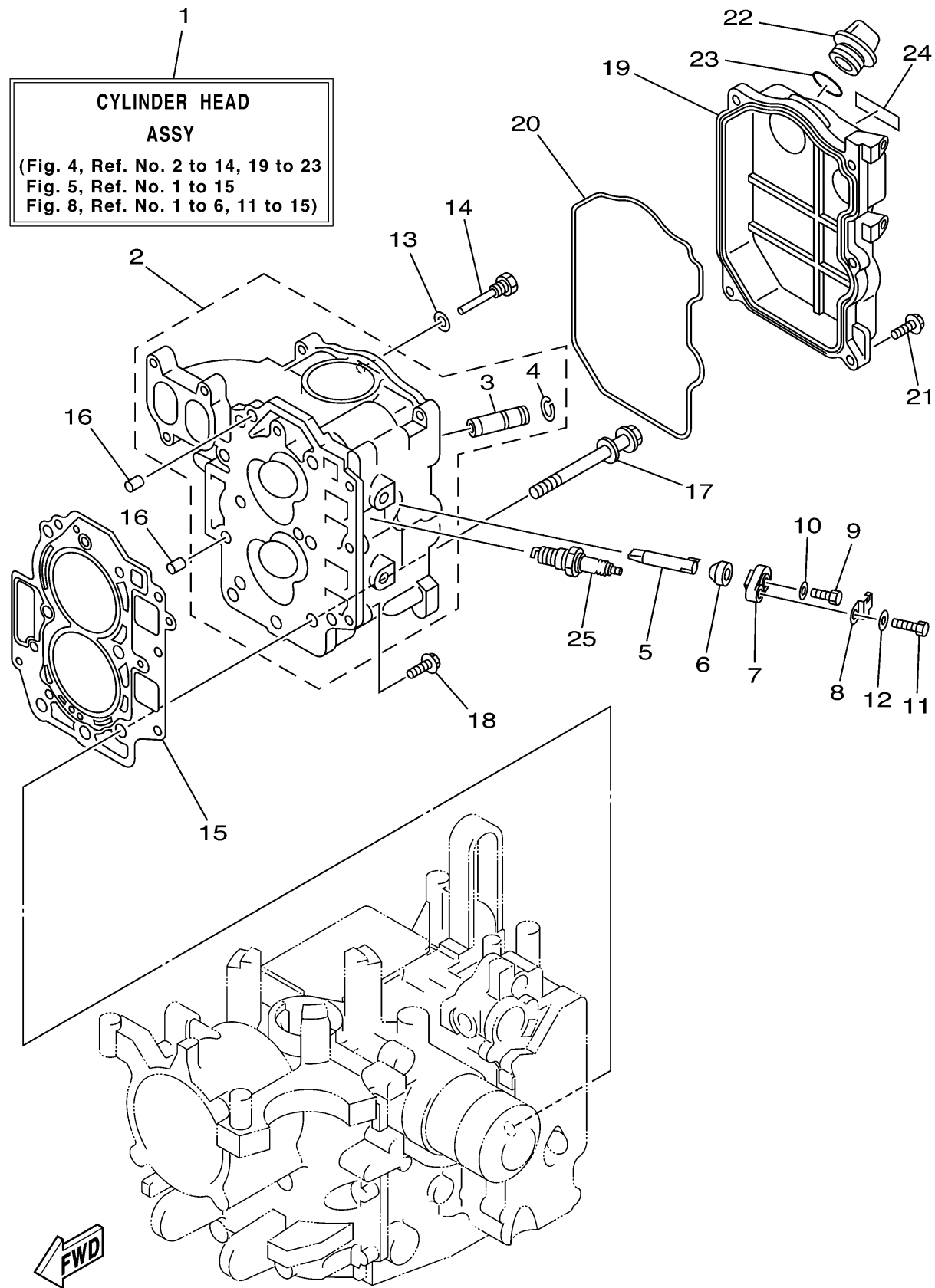


## CYLINDER CRANKCASE 2

Ref No.	Part Number	Description	Qty	Remarks
1	65W-W009A-13-1S	CYLINDER HEAD COMPLETE	1	(TR)
2	65W-11111-02-1S	HEAD, CYLINDER 1	1	(TR)
3	62Y-11133-10-00	.GUIDE, VALVE 1	4	(TR)
4	93450-09M01-00	.CIRCLIP	4	(TR)
5	62Y-11325-00-00	ANODE	2	(TR)
6	66M-11328-00-00	GROMMET, ANODE	2	(TR)
7	66M-11327-00-94	COVER, ANODE	2	(TR)
8	66M-12535-00-00	PLATE	2	(TR)
9	97095-05012-00	BOLT	2	(TR)
10	92995-05600-00	WASHER	2	(TR)
11	97095-06020-00	BOLT	2	(TR)
12	92995-06600-00	WASHER	2	(TR)
13	90430-06014-00	.GASKET	1	(TR)
14	90109-06M65-00	BOLT	1	(TR)
15	65W-11181-11-00	GASKET, CYLINDER HEAD 1	1	(TR)
16	99530-08012-00	PIN, DOWEL	2	(TR)
17	90119-09M00-00	BOLT, WITH WASHER	6	(TR)
18	90119-06MA3-00	BOLT, WITH WASHER	3	(TR)
19	65W-11191-00-1S	COVER, CYLINDER HEAD 1	1	(TR)
20	65W-11356-00-00	.SEAL, CYLINDER 2	1	(TR)

CONTINUED ON NEXT FRAME >



65W1100-2040  
t25lra

## CYLINDER CRANKCASE 2

Ref No.	Part Number	Description	Qty	Remarks
21	90119-06MA2-00	BOLT, WITH WASHER	5	(TR)
22	6G8-15363-00-00	PLUG, OIL	1	(TR)
23	93210-24M79-00	.O-RING	1	(TR)
24	62Y-12138-40-00	MARK, CAUTION	1	(TR)
25	NGK-DPR6E-A9-00	PLUG, SPARK (NGK DPR6EA-9)	2	(TR)