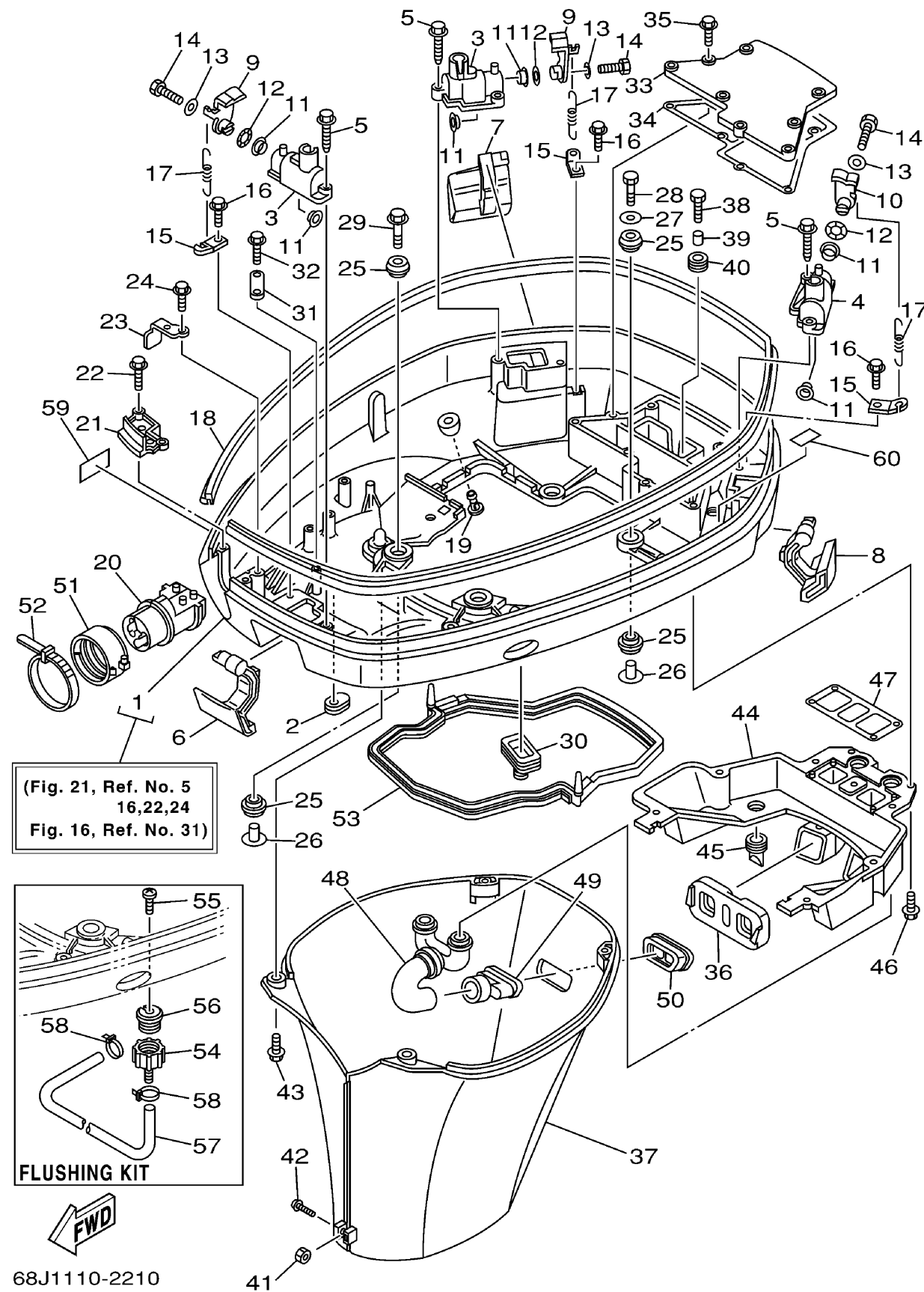


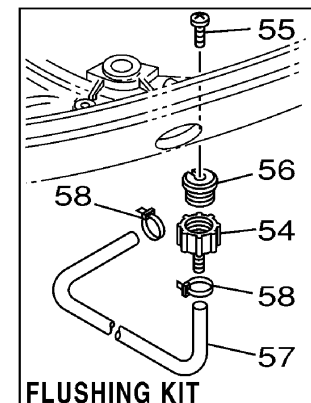
# BOTTOM COWLING

| Ref No. | Part Number     | Description         | Qty | Remarks |
|---------|-----------------|---------------------|-----|---------|
| 1       | 68F-42710-00-8D | BOTTOM COWLING ASSY | 1   | (VZ)    |
| 2       | 61A-42727-00-00 | GROMMET             | 1   | (VZ)    |
| 3       | 68F-42828-00-94 | PLATE, CLAMP        | 2   | (VZ)    |
| 4       | 68F-42828-10-94 | PLATE, CLAMP        | 1   | (VZ)    |
| 5       | 90109-06M82-00  | BOLT                | 6   | (VZ)    |
| 6       | 68F-42815-00-8D | LEVER, CLAMP        | 1   | (VZ)    |
| 7       | 68F-42816-00-8D | LEVER, CLAMP        | 1   | (VZ)    |
| 8       | 68F-42817-00-8D | LEVER, CLAMP        | 1   | (VZ)    |
| 9       | 68F-42818-00-00 | LEVER, CLAMP        | 2   | (VZ)    |
| 10      | 67F-42818-00-00 | LEVER, CLAMP        | 1   | (VZ)    |
| 11      | 90386-15M73-00  | BUSH                | 6   | (VZ)    |
| 12      | 90206-15M18-00  | WASHER, WAVE        | 3   | (VZ)    |
| 13      | 90201-06068-00  | WASHER, PLATE       | 3   | (VZ)    |
| 14      | 97095-06016-00  | BOLT                | 3   | (VZ)    |
| 15      | 64D-43144-00-00 | HOOK, SPRING        | 3   | (VZ)    |
| 16      | 90109-06M80-00  | BOLT                | 3   | (VZ)    |
| 17      | 90506-16M34-00  | SPRING, TENSION     | 3   | (VZ)    |
| 18      | 68F-42615-00-00 | SEAL                | 1   | (VZ)    |
| 19      | 6E5-44391-00-00 | NIPPLE, HOSE        | 1   | (VZ)    |
| 20      | 68F-42725-01-00 | GROMMET             | 1   | (VZ)    |

CONTINUED ON NEXT FRAME >



(Fig. 21, Ref. No. 5  
16,22,24  
Fig. 16, Ref. No. 31)



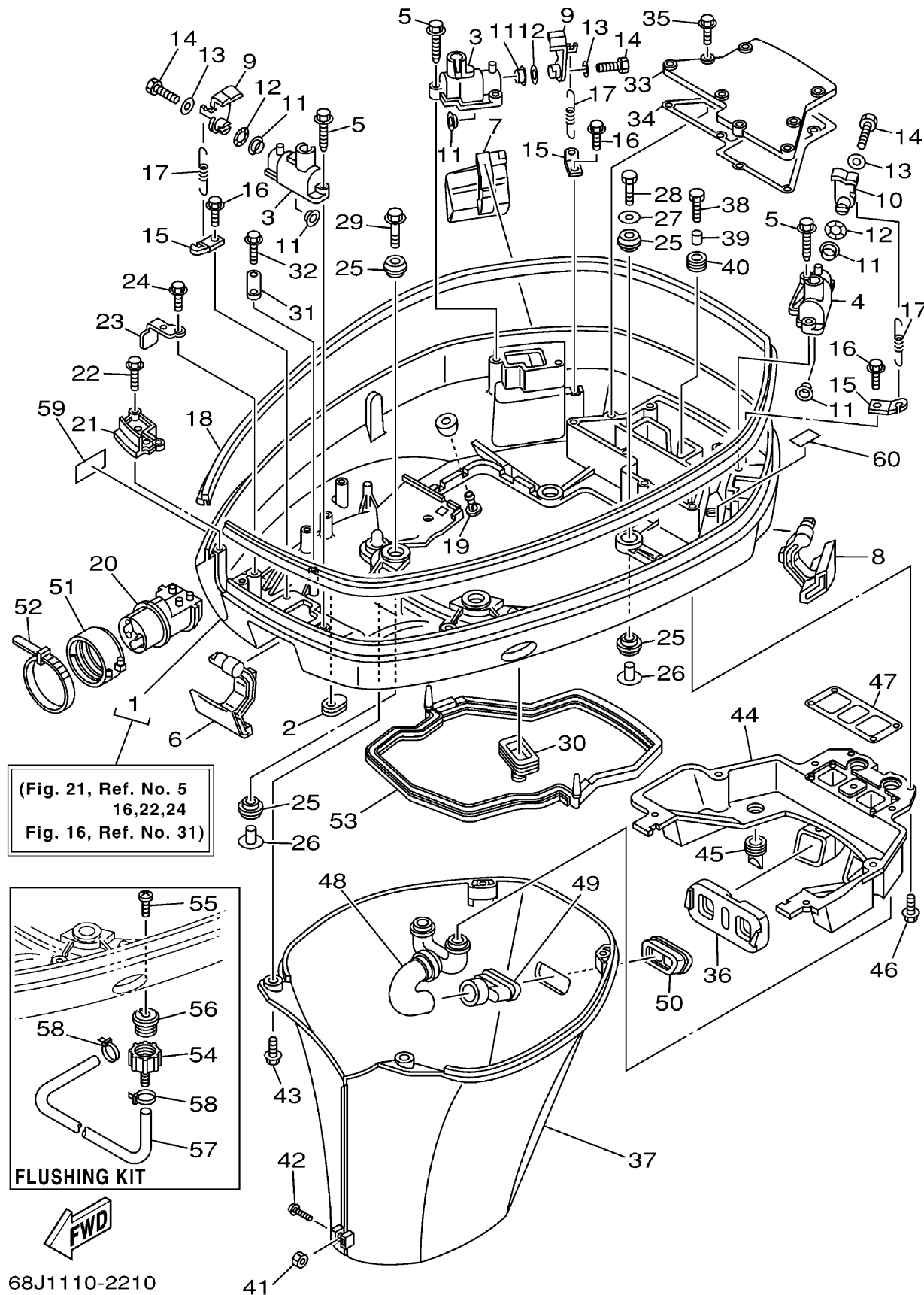
**FLUSHING KIT**

68J1110-2210  
vz150\_175\_200tira

## BOTTOM COWLING

| Ref No. | Part Number     | Description       | Qty | Remarks |
|---------|-----------------|-------------------|-----|---------|
| 21      | 68F-42738-00-5B | PLATE, FITTING    | 1   | (VZ)    |
| 22      | 90109-06M86-00  | .BOLT             | 2   | (VZ)    |
| 23      | 64D-42738-10-5B | PLATE, FITTING    | 1   | (VZ)    |
| 24      | 90109-06M80-00  | BOLT              | 1   | (VZ)    |
| 25      | 90480-22M81-00  | GROMMET           | 8   | (VZ)    |
| 26      | 90387-08M37-00  | COLLAR            | 4   | (VZ)    |
| 27      | 90201-08M54-00  | WASHER, PLATE     | 1   | (VZ)    |
| 28      | 97075-08035-00  | BOLT              | 1   | (VZ)    |
| 29      | 90119-08M22-00  | BOLT, WITH WASHER | 3   | (VZ)    |
| 30      | 688-42726-10-00 | GROMMET           | 1   | (VZ)    |
| 31      | 6E5-82588-00-00 | PLATE             | 1   | (VZ)    |
| 32      | 95895-06020-00  | BOLT, FLANGE      | 1   | (VZ)    |
| 33      | 68F-42723-00-94 | COVER, BOTTOM     | 1   | (VZ)    |
| 34      | 68F-42721-00-00 | GASKET 1          | 1   | (VZ)    |
| 35      | 95895-06020-00  | BOLT, FLANGE      | 8   | (VZ)    |
| 36      | 68F-42769-00-00 | SEAL, RUBBER      | 1   | (VZ)    |
| 37      | 68F-42741-00-4D | APRON             | 1   | L(VZ)   |
| 38      | 90109-06M80-00  | BOLT              | 2   | (VZ)    |
| 39      | 90387-06M43-00  | COLLAR            | 2   | (VZ)    |
| 40      | 90480-13M24-00  | GROMMET           | 2   | (VZ)    |

CONTINUED ON NEXT FRAME >

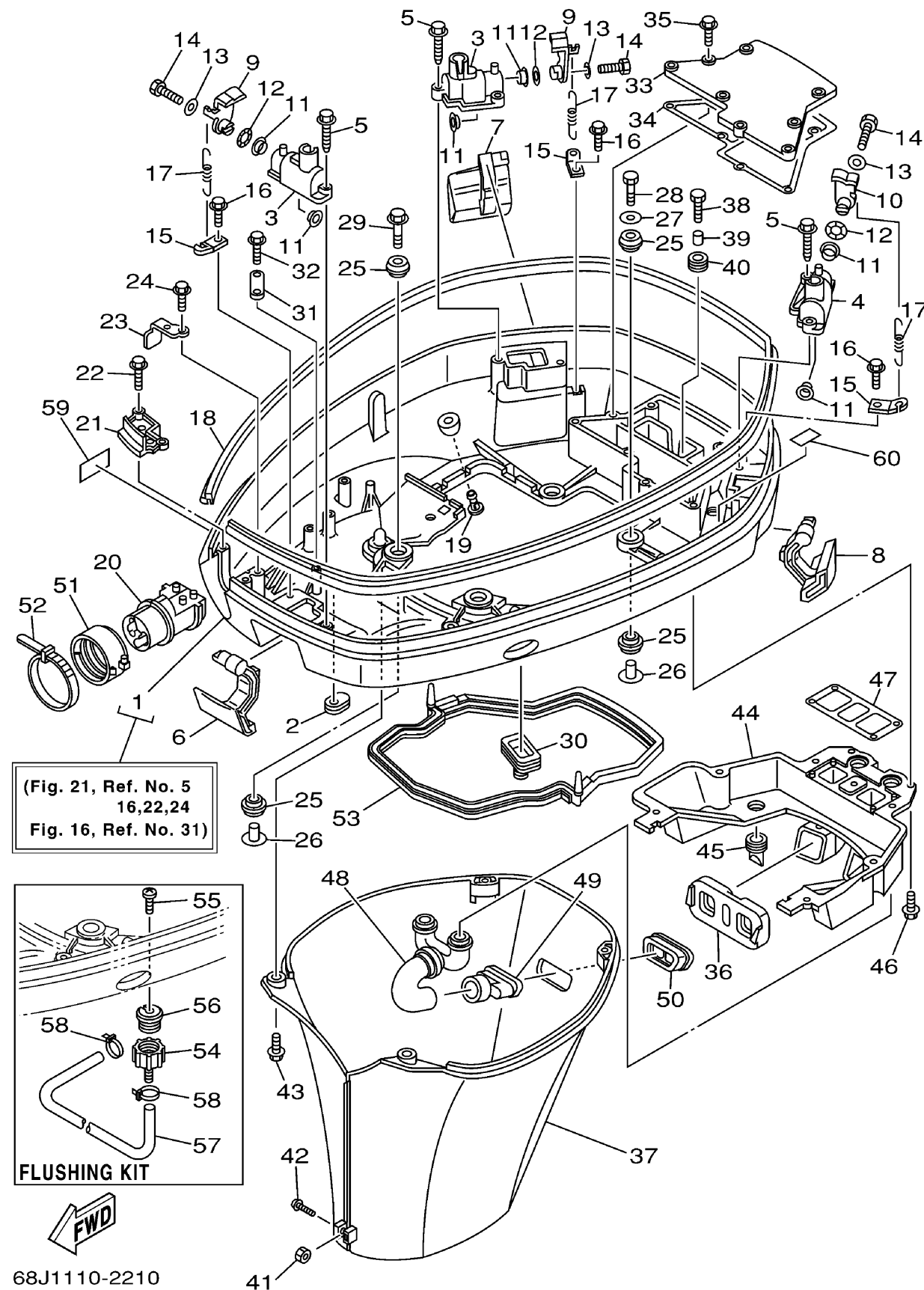


68J1110-2210  
vz150\_175\_200t1ra

## BOTTOM COWLING

| Ref No. | Part Number     | Description               | Qty | Remarks             |
|---------|-----------------|---------------------------|-----|---------------------|
| 41      | 95380-06600-00  | NUT, HEXAGON              | 1   | (VZ)                |
| 42      | 90159-06M03-00  | SCREW, WITH WASHER        | 1   | (VZ)                |
| 43      | 95895-06016-00  | BOLT, FLANGE              | 2   | (VZ)                |
| 44      | 68F-42771-00-00 | APRON                     | 1   | (VZ)                |
| 45      | 61A-42717-00-00 | RUBBER, SEAL 2            | 4   | (VZ)                |
| 46      | 95895-06016-00  | BOLT, FLANGE              | 9   | (VZ)                |
| 47      | 68F-42722-00-00 | GASKET 2                  | 1   | (VZ)                |
| 48      | 68F-12577-00-00 | HOSE 2                    | 1   | L(VZ)               |
| 49      | 68F-12582-01-00 | JOINT, HOSE 2             | 1   | L(VZ)               |
| 50      | 68F-42718-00-00 | RUBBER, SEAL 3            | 1   | (VZ)                |
| 51      | 68F-42753-00-00 | FASTNER                   | 1   | (VZ)                |
| 52      | 90464-20258-00  | CLAMP                     | 1   | (VZ)                |
| 53      | 6E5-42716-10-00 | RUBBER, SEAL 1            | 1   | (VZ)                |
| 54      | 6R3-12580-00-00 | .JOINT ASSY               | 1   | FLUSHING KIT(VZ)    |
| 55      | 90169-05M00-00  | SCREW, TRUSS HEAD TAPPING | 1   | FLUSHING KIT(VZ)    |
| 56      | 6R3-12572-00-00 | .ADAPTER                  | 1   | FLUSHING KIT(VZ)    |
| 57      | 90445-11M35-00  | .HOSE (L540)              | 1   | FLUSHING KIT(VZ)    |
| 58      | 90465-11M10-00  | .CLAMP                    | 2   | FLUSHING KIT(VZ)    |
| 59      | 68F-2415E-40-00 | LABEL, CAUTION            | 1   | (VZ)                |
| 60      | 68F-42791-01-00 | MARK 1                    | 1   | UR VZ175, VZ200(VZ) |

CONTINUED ON NEXT FRAME >



68J1110-2210  
vz150\_175\_200lra

## BOTTOM COWLING

| Ref No. | Part Number     | Description | Qty | Remarks      |
|---------|-----------------|-------------|-----|--------------|
| 60      | 68H-42791-01-00 | MARK 1      | 1   | UR VZ150(VZ) |