

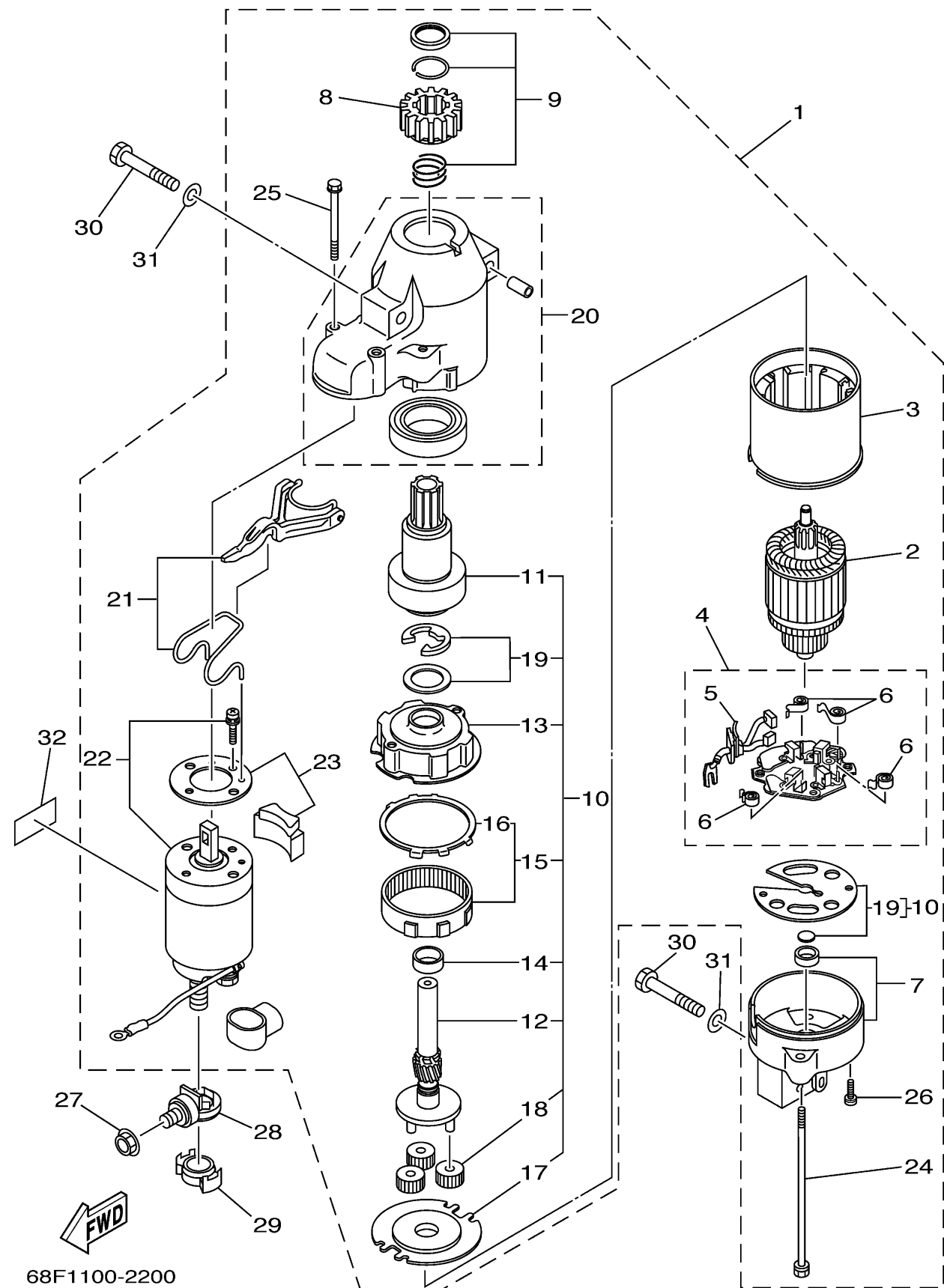
68F1100-2200

vz150\_175\_200tira

# STARTING MOTOR

Ref No.	Part Number	Description	Qty	Remarks
1	68F-81800-01-00	STARTING MOTOR ASSY	1	(VZ)
2	67F-81850-00-00	..ARMATURE ASSY	1	(VZ)
3	67F-81810-00-00	..STATOR ASSY	1	(VZ)
4	68F-81840-00-00	..BRUSH HOLDER ASSY	1	(VZ)
5	67F-81801-00-00	...BRUSH SET	1	(VZ)
6	67F-81813-00-00	...SPRING, BRUSH	4	(VZ)
7	68F-81820-00-00	..REAR BRACKET ASSY	1	(VZ)
8	67F-81808-00-00	..PINION ASSY	1	(VZ)
9	67F-81857-00-00	..PINION STOPPER SET	1	(VZ)
10	67F-81807-00-00	..GEAR ASSY, STARTING MOTOR	1	(VZ)
11	67F-81832-00-00	...CLUTCH, OVER RUN	1	(VZ)
12	67F-81836-00-00	...SHAFT, PINION	1	(VZ)
13	67F-81821-00-00	...BRACKET, CENTER 1	1	(VZ)
14	67F-81841-00-00	...BEARING	1	(VZ)
15	67F-81891-00-00	...GEAR, RING	1	(VZ)
16	67F-8183R-00-00	...GASKET	1	(VZ)
17	67F-81830-00-00	...BRACKET, CENTER 2	1	(VZ)
18	67F-8183T-00-00	...GEAR, IDLER	3	(VZ)
19	67F-81809-00-00	...WASHER KIT	1	(VZ)
20	67F-81842-00-00	..COVER	1	(VZ)

CONTINUED ON NEXT FRAME >



68F1100-2200  
vz150\_175\_200tlra

## STARTING MOTOR

Ref No.	Part Number	Description	Qty	Remarks
21	67F-81839-00-00	..LEVER ASSY	1	(VZ)
22	68F-81941-01-00	..STARTER RELAY ASSY	1	(VZ)
23	67F-81869-00-00	..COVER, DUST	1	(VZ)
24	6K7-81826-10-00	..BOLT	2	(VZ)
25	67F-81828-00-00	..SCREW 2	2	(VZ)
26	67F-81846-00-00	..SCREW	2	(VZ)
27	90179-08003-00	NUT	1	(VZ)
28	68F-81925-00-00	TERMINAL	1	(VZ)
29	68F-82582-00-00	COVER, WIRE HARNESS	1	(VZ)
30	97013-08045-00	BOLT	3	(VZ)
31	92903-08600-00	WASHER, PLATE	3	(VZ)
32	67F-83627-01-00	LABEL, CAUTION 7	1	(VZ)

D12