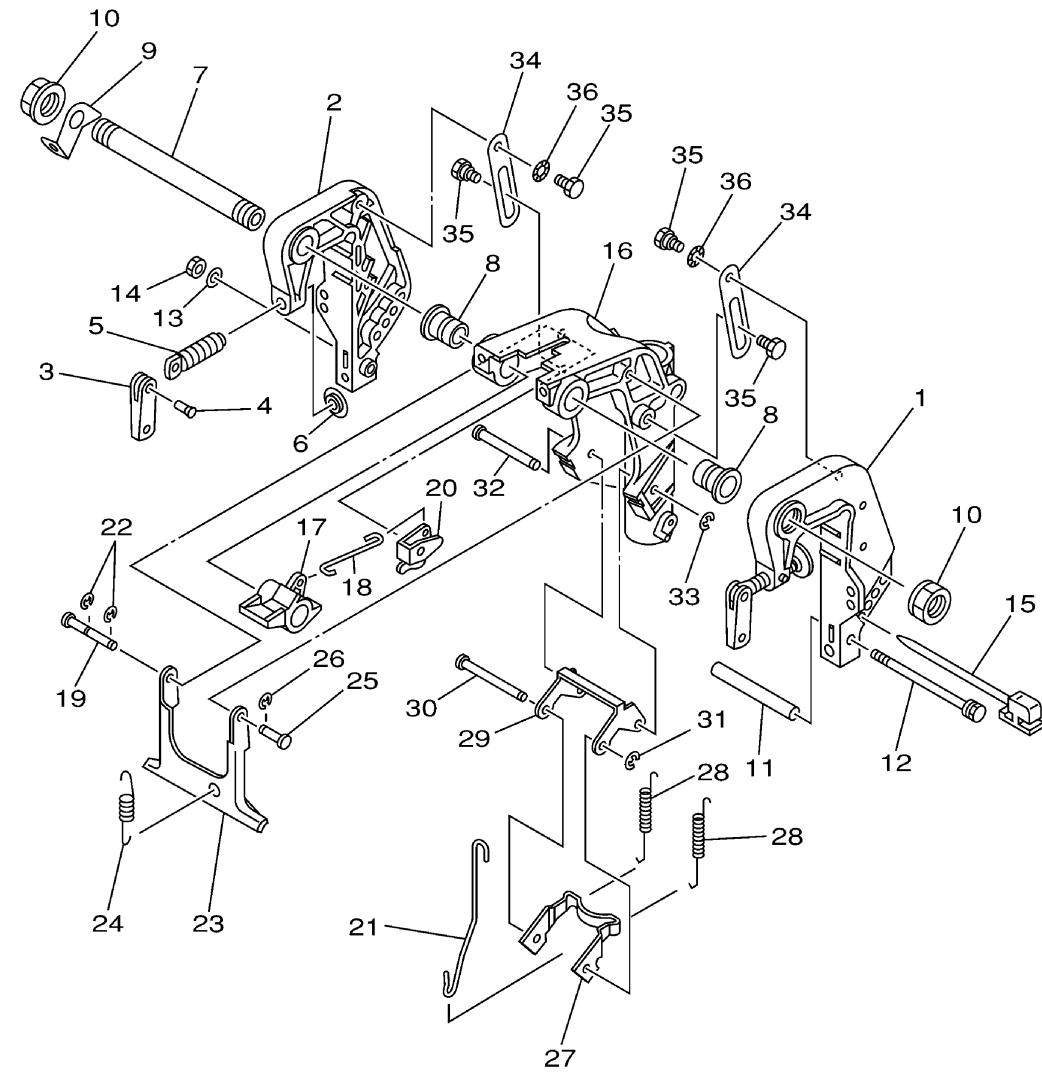


BRACKET 1



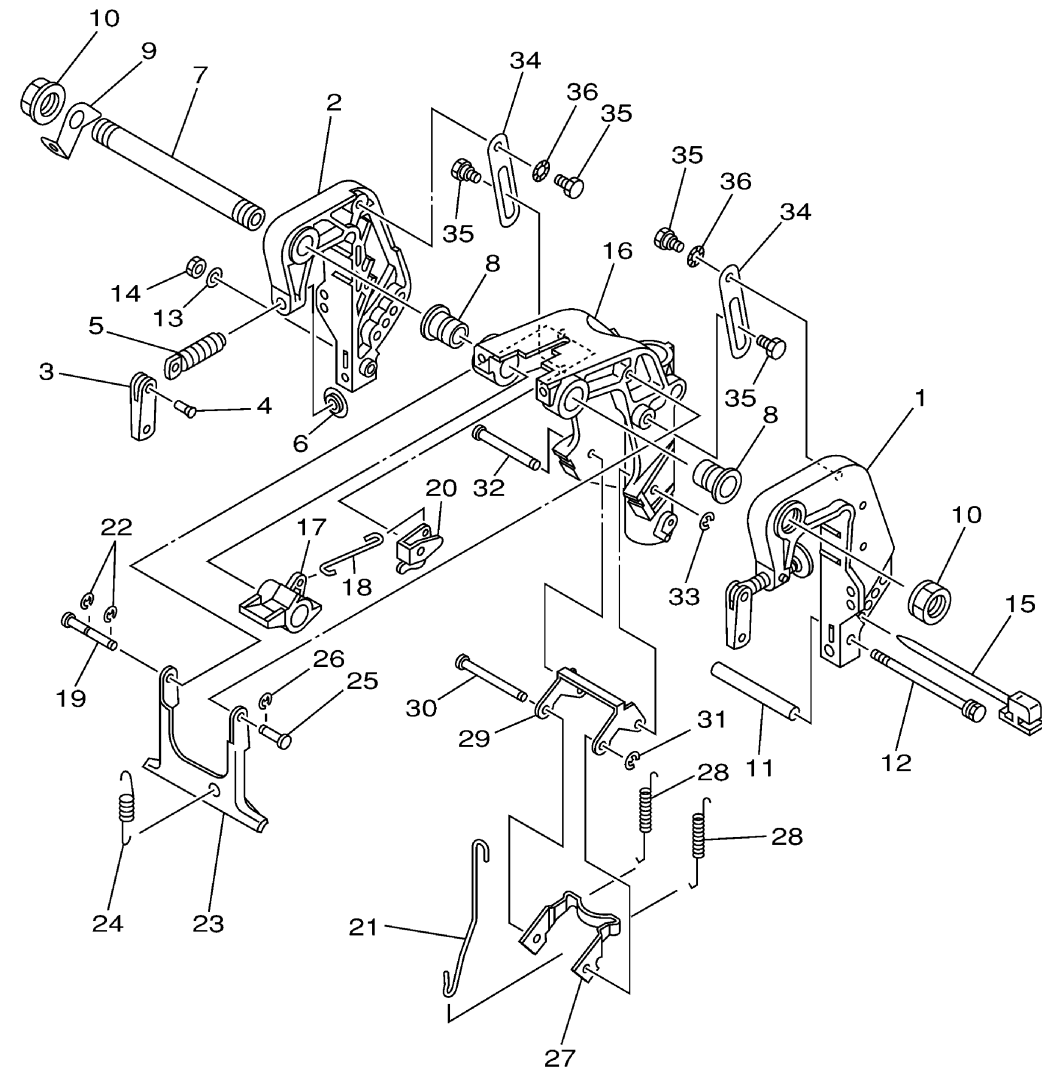
Ref No.	Part Number	Description	Qty	Remarks
1	68T-43111-01-4D	BRACKET, CLAMP	1	
2	68T-43112-01-4D	BRACKET, CLAMP	1	
3	6E0-43118-01-00	HANDLE, TRANSOM CLAMP	2	
4	90243-04M01-00	PIN	2	
5	677-43116-01-00	SCREW, TRANSOM CLAMP	2	
6	648-43114-01-00	PAD, TRANSOM CLAMP	2	
7	68T-43131-00-00	BOLT, CLAMP BRACKET (L:215.5MM)	1	
8	90386-22MA4-00	BUSH	2	
9	66R-43113-00-00	PLATE, CLAMP BRACKET	1	
10	90185-22043-00	NUT, SELF-LOCKING	2	
11	90387-06M13-00	COLLAR	1	
12	90101-06M18-00	BOLT	1	
13	92990-06600-00	WASHER, PLATE	1	
14	95380-06700-00	NUT	1	
15	6L2-43160-00-00	TILT ROD ASSY	1	
16	68T-43311-10-4D	BRACKET, SWIVEL 1	1	UR L
16	68T-43311-00-4D	BRACKET, SWIVEL 1	1	UR S
17	68T-43631-00-00	LEVER, TILT	1	
18	68T-43616-00-00	ROD, TILT LOCK	1	
19	68T-43646-00-00	SHAFT, LEVER	1	

CONTINUED ON NEXT FRAME >



68R0010-0200

BRACKET 1



Ref No.	Part Number	Description	Qty	Remarks
20	68T-43641-00-00	LEVER, TILT	1	
21	68T-43617-00-00	ROD, TILT LOCK	1	
22	99080-05600-00	CIRCLIP	2	
23	68T-43350-00-00	RECEIVER ASSY	1	
24	90506-20005-00	SPRING, TENSION	1	UR L
24	90506-18M41-00	SPRING, TENSION	1	UR S
25	63V-43191-00-00	SHAFT, STOPPER	1	
26	99080-05600-00	CIRCLIP	1	
27	68T-43614-00-00	PLATE, TILT LOCK	1	
28	90506-20M42-00	SPRING, TENSION	2	UR S
28	90506-23003-00	SPRING, TENSION	2	UR L
29	68T-43615-00-00	PLATE, TILT LOCK	1	
30	68T-43611-00-00	SHAFT, TILT LOCK	1	
31	93430-04M03-00	CIRCLIP	1	
32	68T-43659-00-00	SHAFT, REVERSE LOCK	1	
33	99080-05600-00	CIRCLIP	1	
34	68T-43627-00-00	STOPPER	2	
35	90109-06M84-00	BOLT	4	
36	90206-10M24-00	WASHER, WAVE	2	



68R0010-0200