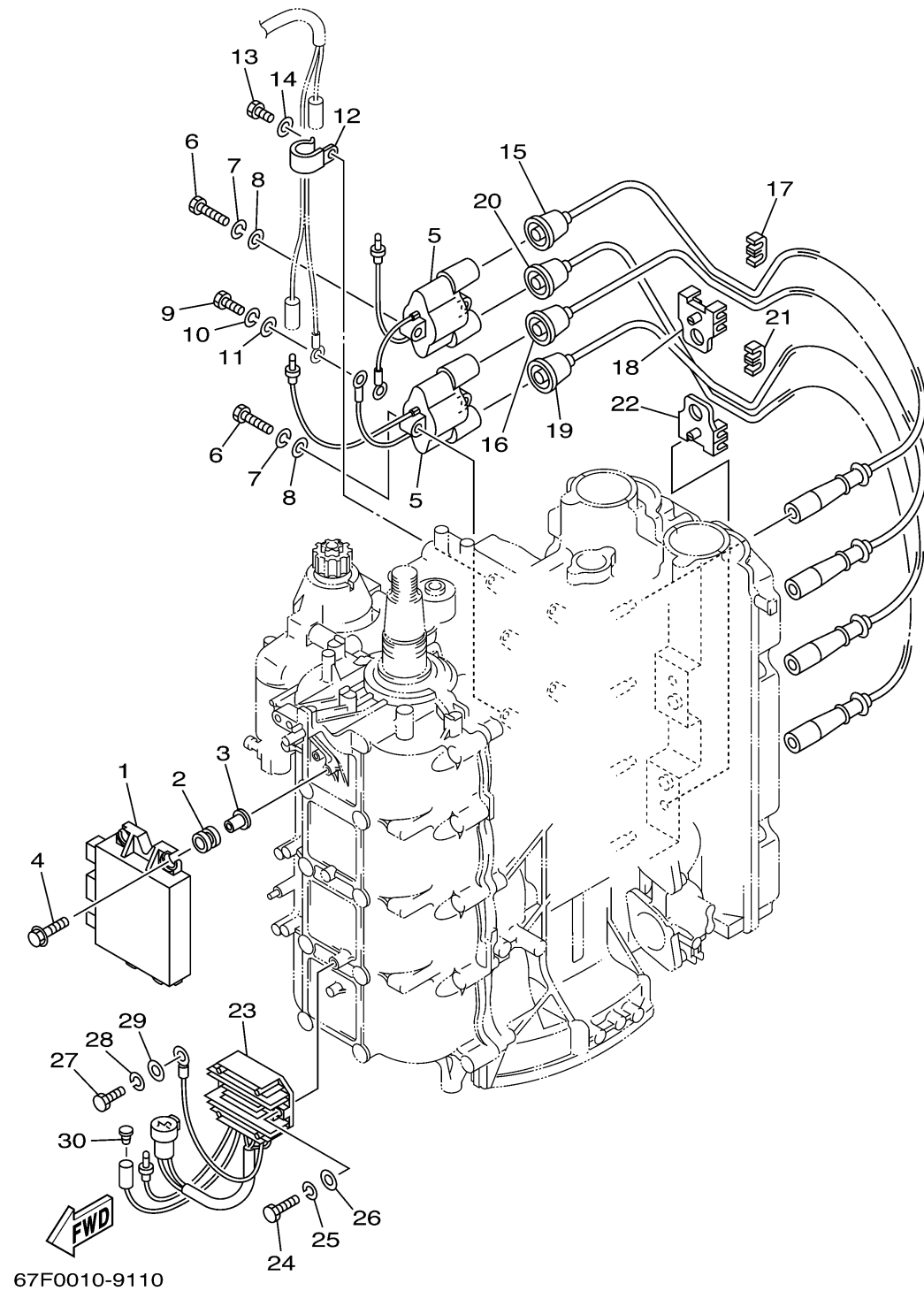


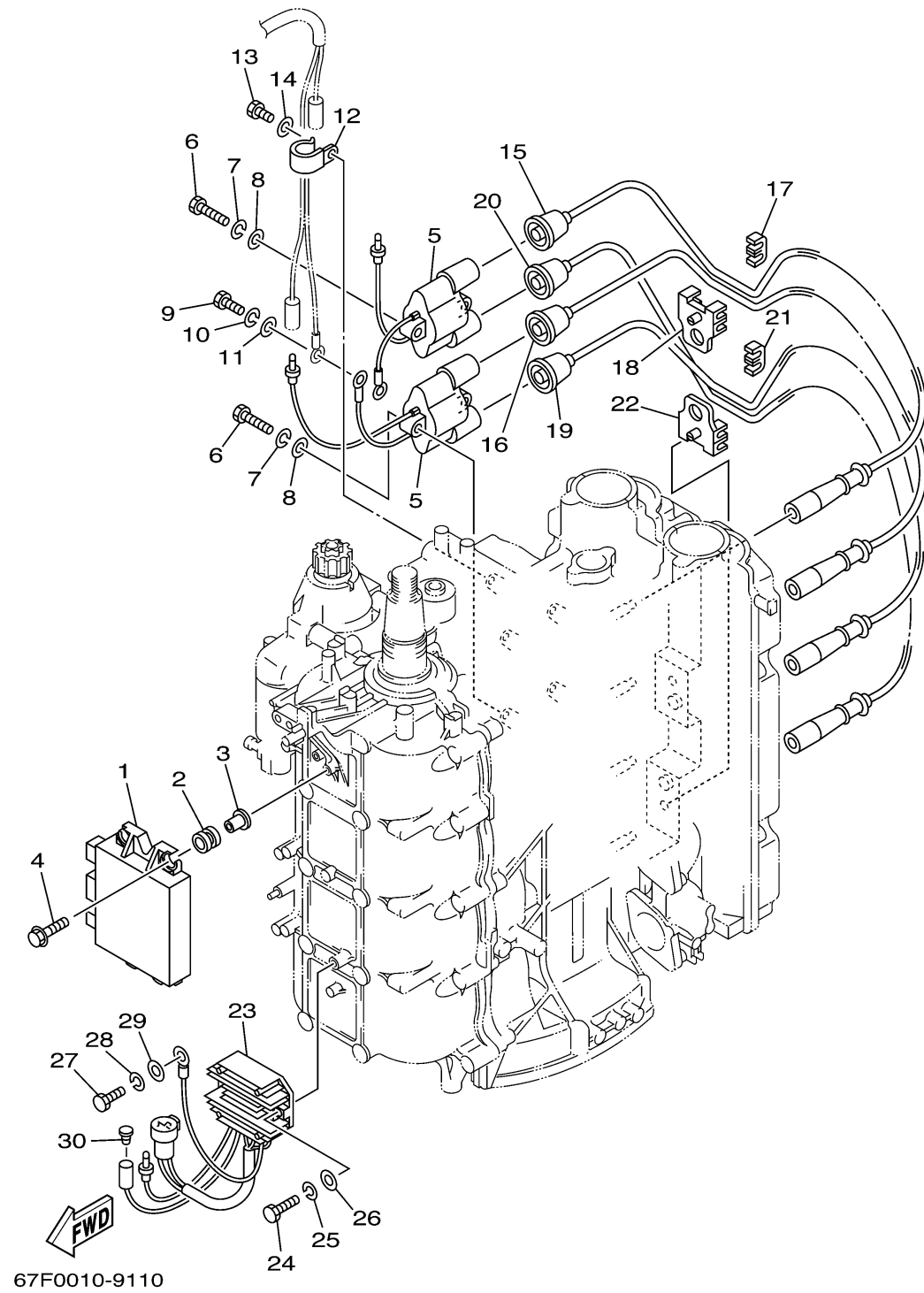
# ELECTRICAL 1



| Ref No. | Part Number     | Description           | Qty | Remarks |
|---------|-----------------|-----------------------|-----|---------|
| 1       | 62P-85540-00-00 | C.D.I. UNIT ASSY      | 1   |         |
| 2       | 68V-82317-00-00 | DAMPER, IGNITION COIL | 4   |         |
| 3       | 624-42542-00-00 | PIPE                  | 4   |         |
| 4       | 90119-06M59-00  | BOLT, WITH WASHER     | 4   |         |
| 5       | 67F-85570-00-00 | IGNITION COIL ASSY    | 2   |         |
| 6       | 97095-06030-00  | BOLT                  | 4   |         |
| 7       | 92995-06100-00  | WASHER, SPRING        | 4   |         |
| 8       | 92995-06600-00  | WASHER                | 4   |         |
| 9       | 97095-06020-00  | BOLT                  | 1   |         |
| 10      | 92995-06100-00  | WASHER, SPRING        | 1   |         |
| 11      | 92995-06600-00  | WASHER                | 1   |         |
| 12      | 90465-06M86-00  | .CLAMP                | 1   |         |
| 13      | 97095-06012-00  | .BOLT                 | 1   |         |
| 14      | 92995-06600-00  | WASHER                | 1   |         |
| 15      | 67F-82341-00-00 | CORD, HIGH TENSION 1  | 1   | #1      |
| 16      | 67F-82342-00-00 | CORD, HIGH TENSION 2  | 1   | #2      |
| 17      | 67F-82361-00-00 | CLAMP, CORD           | 1   |         |
| 18      | 67F-82362-00-00 | CLAMP, CORD 2         | 1   |         |
| 19      | 67F-82343-00-00 | CORD, HIGH TENSION 3  | 1   | #3      |
| 20      | 67F-82344-00-00 | CORD, HIGH TENSION 4  | 1   | #4      |

CONTINUED ON NEXT FRAME >

# ELECTRICAL 1



| Ref No. | Part Number     | Description                | Qty | Remarks |
|---------|-----------------|----------------------------|-----|---------|
| 21      | 67F-82361-00-00 | CLAMP, CORD                | 1   |         |
| 22      | 67F-82362-00-00 | CLAMP, CORD 2              | 1   |         |
| 23      | 67F-81960-11-00 | RECTIFIER & REGULATOR ASSY | 1   |         |
| 24      | 97095-06025-00  | .BOLT                      | 2   |         |
| 25      | 92995-06100-00  | WASHER, SPRING             | 2   |         |
| 26      | 92995-06600-00  | WASHER                     | 2   |         |
| 27      | 97095-06020-00  | BOLT                       | 1   |         |
| 28      | 92995-06100-00  | WASHER, SPRING             | 1   |         |
| 29      | 92995-06600-00  | WASHER                     | 1   |         |
| 30      | 703-82119-00-00 | COVER, LEAD WIRE           | 1   |         |