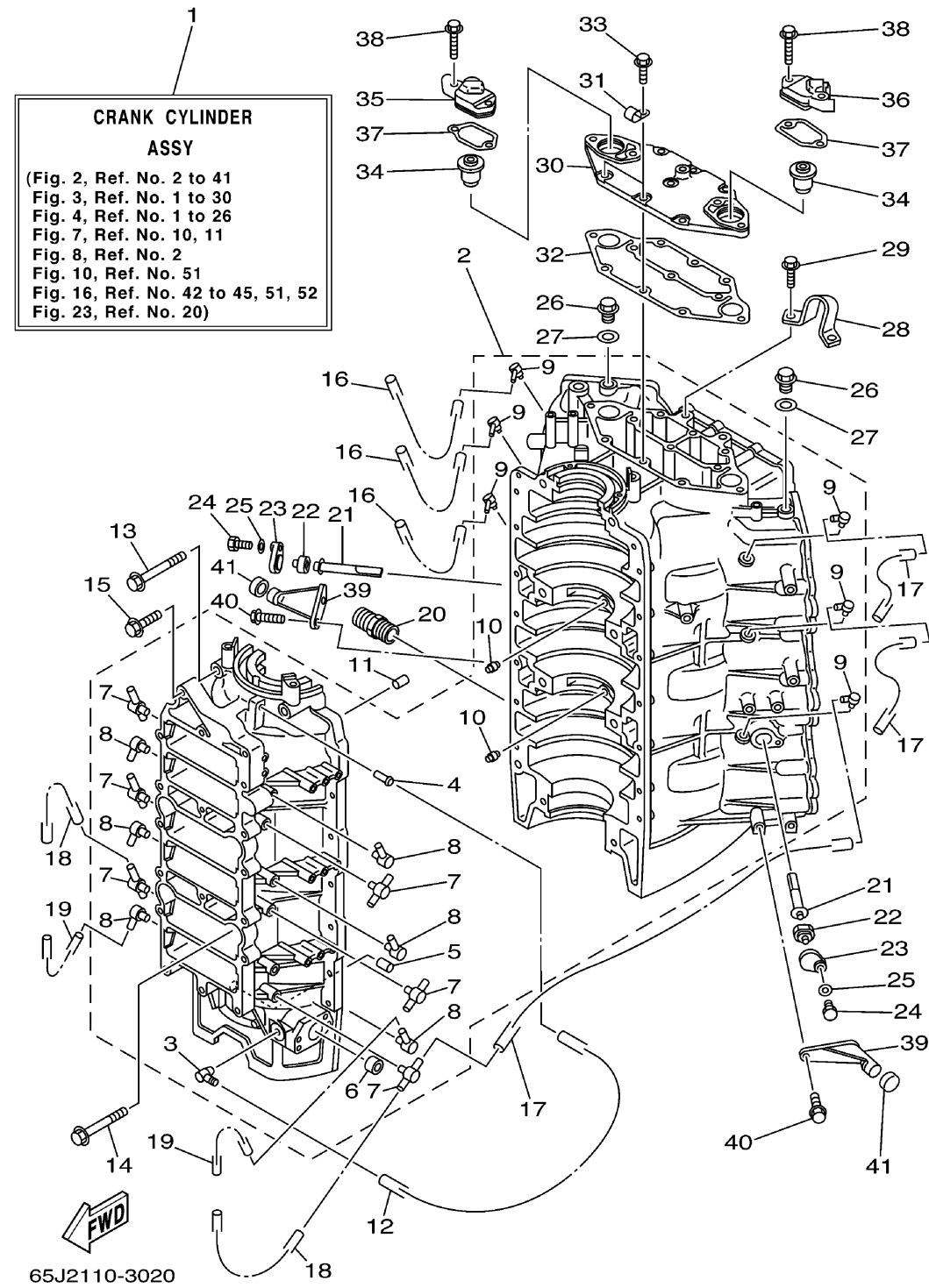


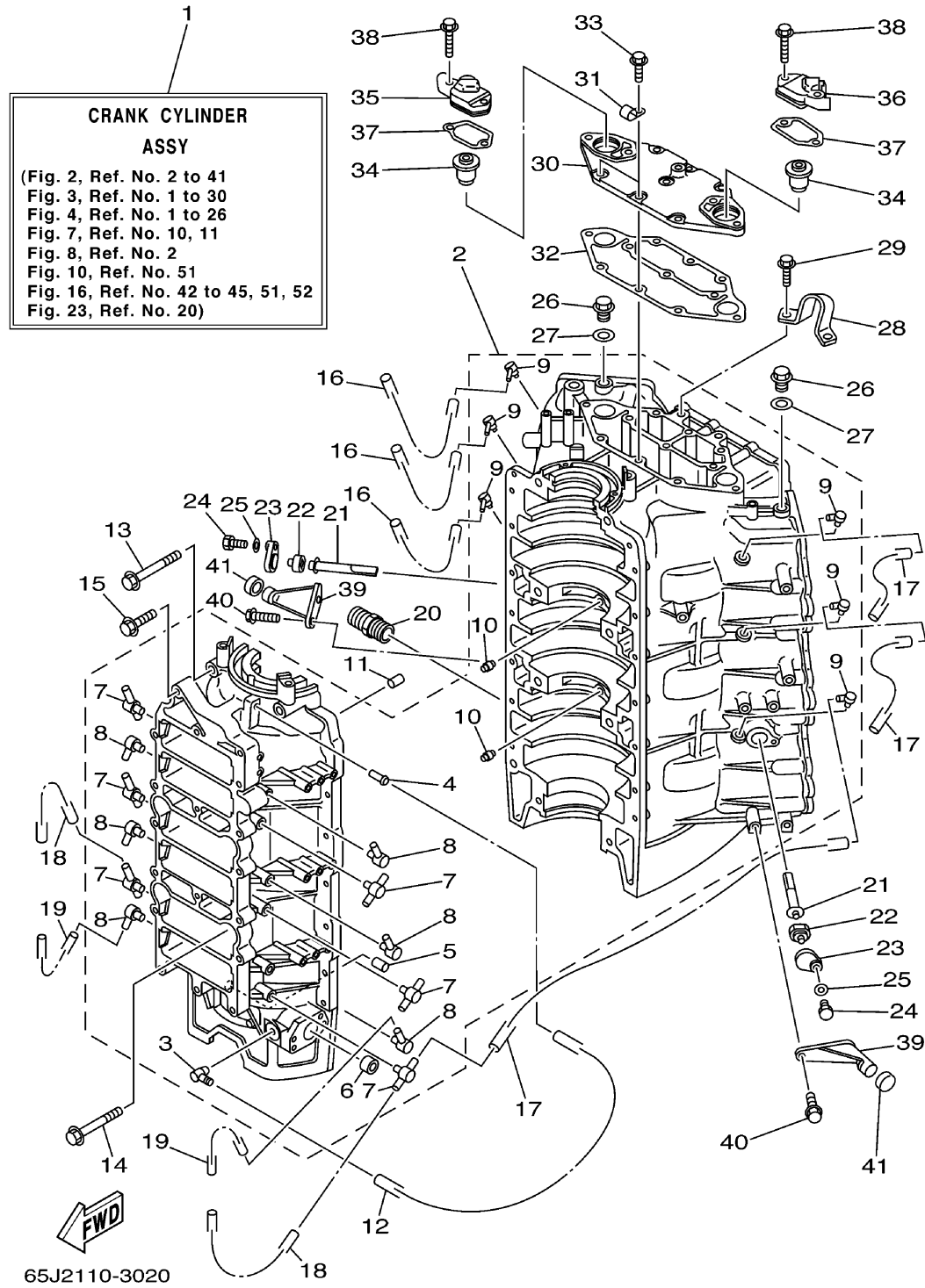
CYLINDER CRANKCASE 1



Ref No.	Part Number	Description	Qty	Remarks
1	65J-W0090-13-1S	CRANK CYLINDER ASSY	1	UR SX225, LX225
1	65L-W0090-13-1S	CRANK CYLINDER ASSY	1	UR SX250, LX250
2	65L-15100-02-1S	CRANKCASE ASSY	1	UR SX250, LX250
2	65J-15100-02-1S	CRANKCASE ASSY	1	UR SX225, LX225
3	6E5-11372-01-00	. .NIPPLE, HOSE	1	
4	624-14485-00-00	. .PIPE, JOINT	1	
5	90384-06M07-00	. .BUSH, BIMETAL FORMED	1	
6	90383-16M01-00	. .BUSH, FORMED	1	
7	6F6-11372-00-00	. NIPPLE, HOSE	6	
8	650-11372-00-00	. .NIPPLE, HOSE	6	
9	6E5-11372-01-00	. .NIPPLE, HOSE	6	
10	663-11518-01-00	. .LOCK, BEARING	2	
11	93608-12063-00	PIN, DOWEL	2	
12	90445-07M11-00	HOSE (L610)	1	
13	90105-10M62-00	BOLT, FLANGE	4	
14	90105-10M75-00	BOLT, FLANGE	4	
15	90119-06M13-00	BOLT, WITH WASHER	14	
16	90445-07M44-00	HOSE (L250)	3	
17	90445-07M40-00	HOSE (L225)	3	
18	90445-07MA6-00	HOSE (L90)	6	

CONTINUED ON NEXT FRAME >

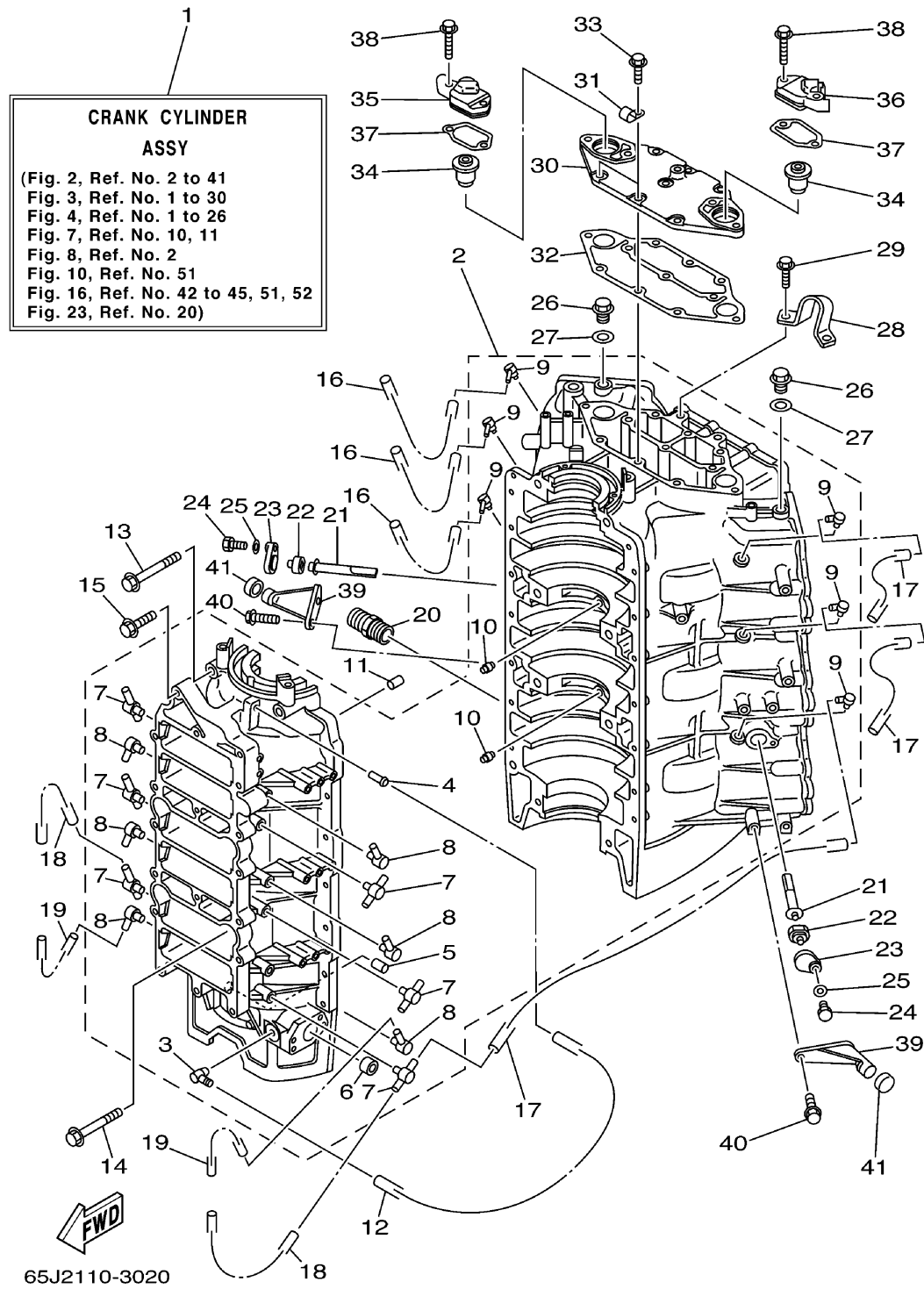
CYLINDER CRANKCASE 1



Ref No.	Part Number	Description	Qty	Remarks
19	90445-07MA6-00	HOSE (L90)	6	
20	6G5-12581-00-00	JOINT, HOSE 1	1	
21	61A-11325-00-00	ANODE	2	
22	6H3-11328-00-00	GROMMET, ANODE	2	
23	6H3-11327-00-1S	COVER, ANODE	2	
24	97013-06016-00	BOLT	2	
25	92903-06600-00	WASHER, PLATE	2	
26	90340-14M00-00	.PLUG, STRAIGHT SCREW	2	
27	90430-14115-00	.GASKET	2	
28	6E5-11119-01-00	HANGER, ENGINE	1	
29	90119-08MA3-00	BOLT, WITH WASHER	2	
30	61A-11371-00-1S	COVER	1	
31	90465-06M86-00	CLAMP	2	
32	61A-11381-A0-00	.GASKET 1	1	
33	90119-06MA2-00	BOLT, WITH WASHER	7	
34	6E5-12411-30-00	THERMOSTAT	2	
35	61A-12413-00-1S	COVER, THERMOSTAT	1	
36	61A-12413-10-1S	COVER, THERMOSTAT	1	
37	61A-12414-A0-00	.GASKET, COVER	2	
38	90119-06MA5-00	BOLT, WITH WASHER	4	

CONTINUED ON NEXT FRAME >

CYLINDER CRANKCASE 1



Ref No.	Part Number	Description	Qty	Remarks
39	6E5-42761-00-1S	STOPPER	2	
40	90119-06MA2-00	BOLT, WITH WASHER	4	
41	68F-44533-00-00	DAMPER, UPPER MOUNT RUBBER	2	