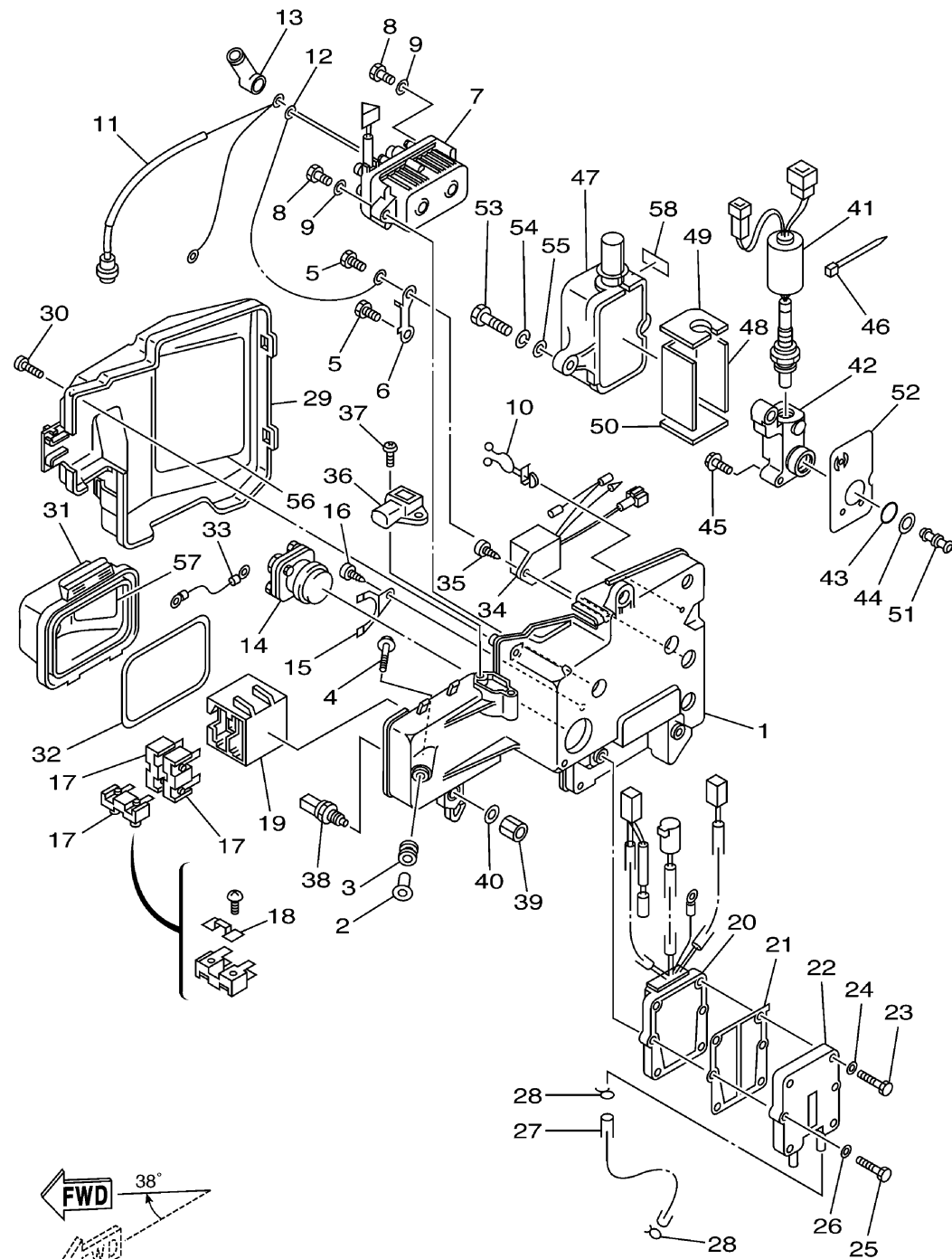


ELECTRICAL 3

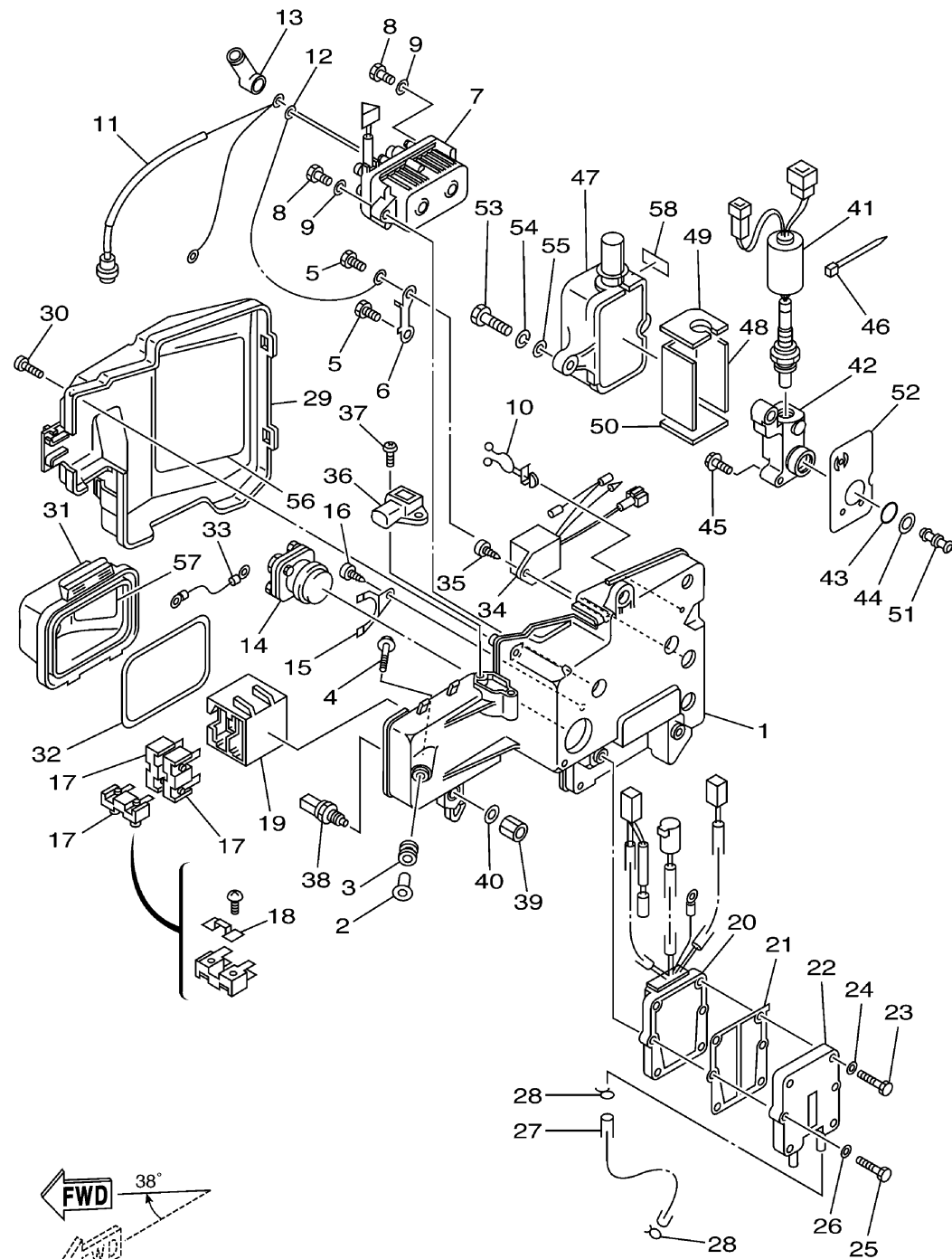


65J2100-3160

Ref No.	Part Number	Description	Qty	Remarks
1	65L-81948-00-00	BRACKET	1	
2	624-42542-00-00	PIPE	5	
3	6A0-82317-00-00	.DAMPER, IGNITION COIL	5	
4	90119-06M65-00	BOLT, WITH WASHER	5	
5	97013-06014-00	BOLT	2	
6	61A-87149-00-00	CONNECTOR	1	
7	61A-81950-00-00	RELAY ASSY	1	
8	97013-06030-00	BOLT	2	
9	92903-06600-00	WASHER, PLATE	2	
10	90464-18M46-00	CLAMP	1	
11	61A-81949-10-00	WIRE, LEAD	1	
12	61A-81949-00-00	WIRE, LEAD	1	
13	6G5-82119-00-00	COVER, LEAD WIRE	1	
14	61A-81941-00-00	STARTER RELAY ASSY	1	
15	61A-81952-00-00	HOLDER, RELAY	1	
16	97780-50612-00	SCREW, TAPPING	1	
17	61A-82150-00-00	FUSE HOLDER ASSY	3	
18	61A-82151-00-00	..FUSE (12V-80A)	1	
19	61A-82153-00-00	STAY, FUSE HOLDER	1	
20	61A-81960-02-00	RECTIFIER & REGULATOR ASSY	1	

CONTINUED ON NEXT FRAME >

ELECTRICAL 3

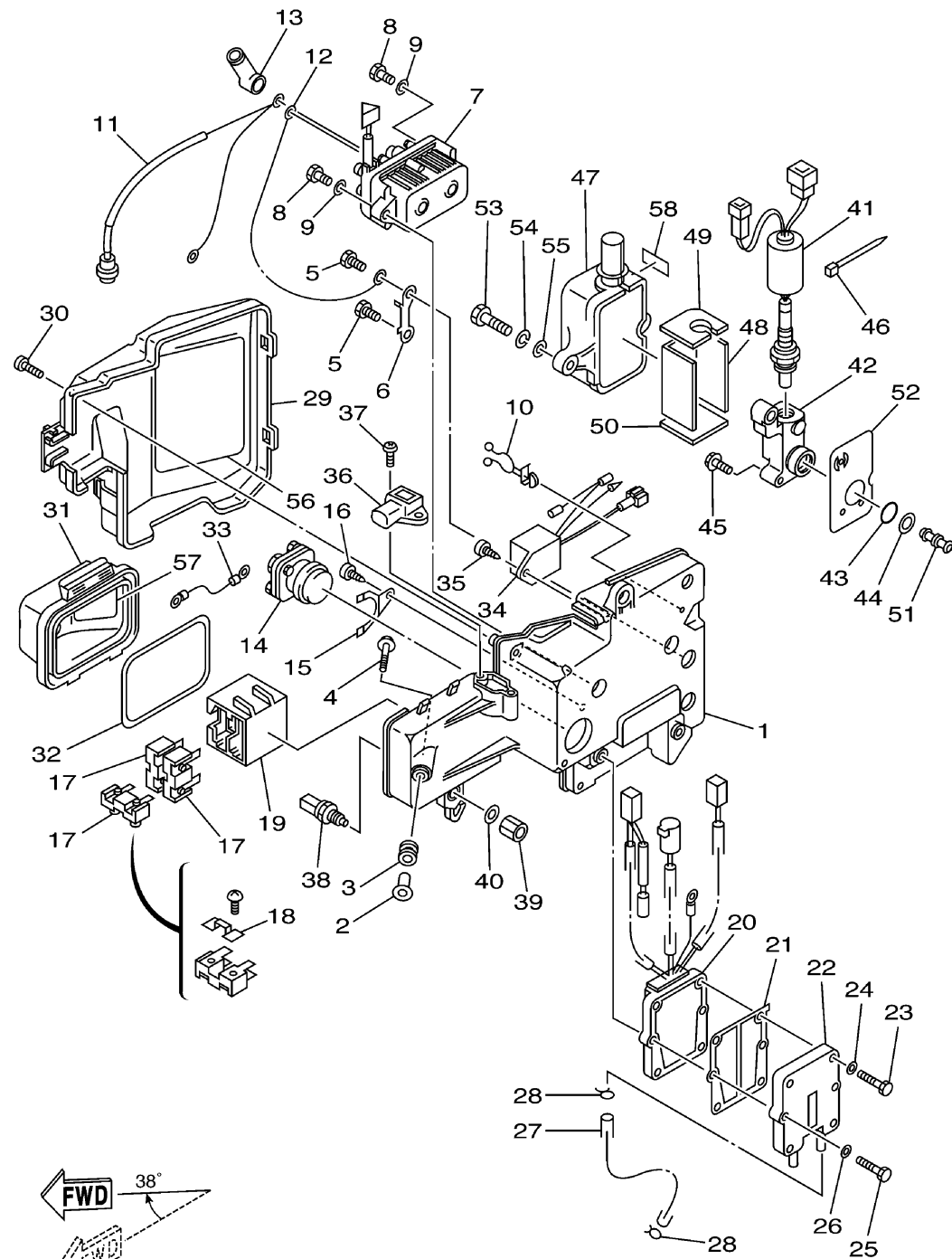


65J2100-3160

Ref No.	Part Number	Description	Qty	Remarks
21	69J-81975-A0-00	PLATE, RECTIFIER FITTING	1	
22	69J-81972-01-1S	COVER, RECTIFIER	1	
23	97013-06025-00	BOLT	4	
24	92903-06600-00	WASHER, PLATE	4	
25	97013-06030-00	BOLT	2	
26	92903-06600-00	WASHER, PLATE	2	
27	90445-09224-00	HOSE (L270)	1	
28	90467-08004-00	CLIP	2	
29	65L-81942-00-00	COVER	1	
30	90169-05M00-00	SCREW, TRUSS HEAD TAPPING	2	
31	61A-82154-01-00	CASE	1	
32	61A-82176-00-00	DAMPER	1	
33	61A-82117-00-00	WIRE, LEAD	1	
34	65L-81950-01-00	RELAY ASSY	1	
35	97780-60625-00	SCREW, TAPPING	1	
36	67H-82380-00-00	SENSOR, PRESSURE	1	
37	97780-60625-00	SCREW, TAPPING	2	
38	65L-85886-00-00	THERMOSENSOR	1	
39	90170-12M36-00	NUT	1	
40	90201-12M34-00	WASHER, PLATE	1	

CONTINUED ON NEXT FRAME >

ELECTRICAL 3



65J2100-3160

Ref No.	Part Number	Description	Qty	Remarks
41	65L-8592A-01-00	SENSOR	1	
42	69L-11395-00-00	HOLDER	1	
43	93210-17003-00	O-RING	1	
44	69L-11397-00-00	GASKET	1	
45	90119-06M74-00	BOLT, WITH WASHER	3	
46	90465-13M18-00	CLAMP	1	
47	65L-85832-00-00	CASE, UNDER	1	
48	65L-11354-00-00	GASKET	1	
49	65L-1131N-00-00	GASKET, HOLDER	1	
50	65L-11396-00-00	GASKET, HOLDER	1	
51	65L-11353-11-00	JOINT	1	
52	69L-11357-00-00	SEAL, CYLINDER 3	1	
53	97095-06030-00	BOLT	2	
54	92995-06100-00	WASHER, SPRING	2	
55	92995-06600-00	WASHER	2	
56	65L-81919-00-00	GRAPHIC, REGULATOR	1	
57	61A-81919-00-00	GRAPHIC, REGULATOR	1	
58	65L-83625-40-00	MARK	1	