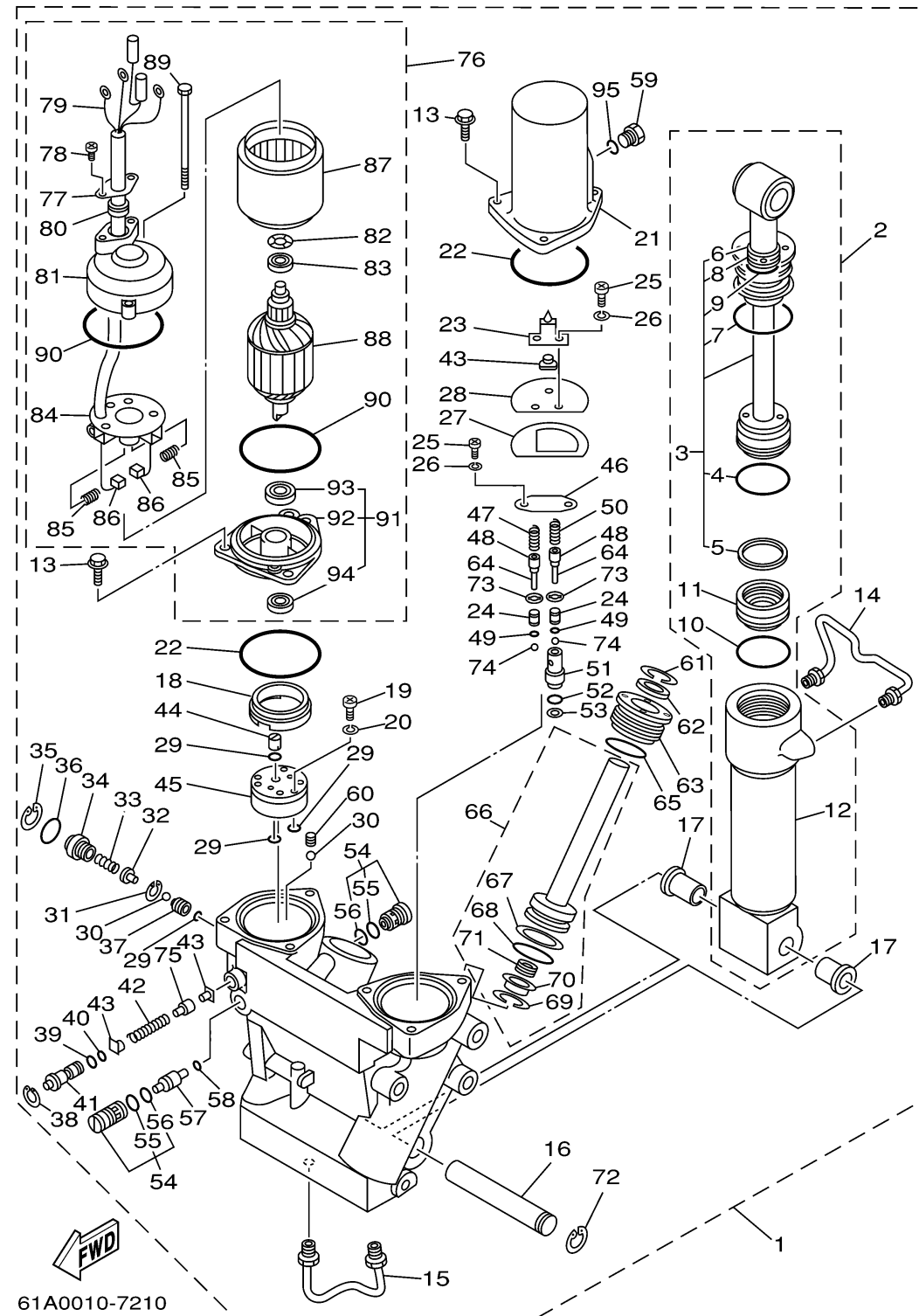


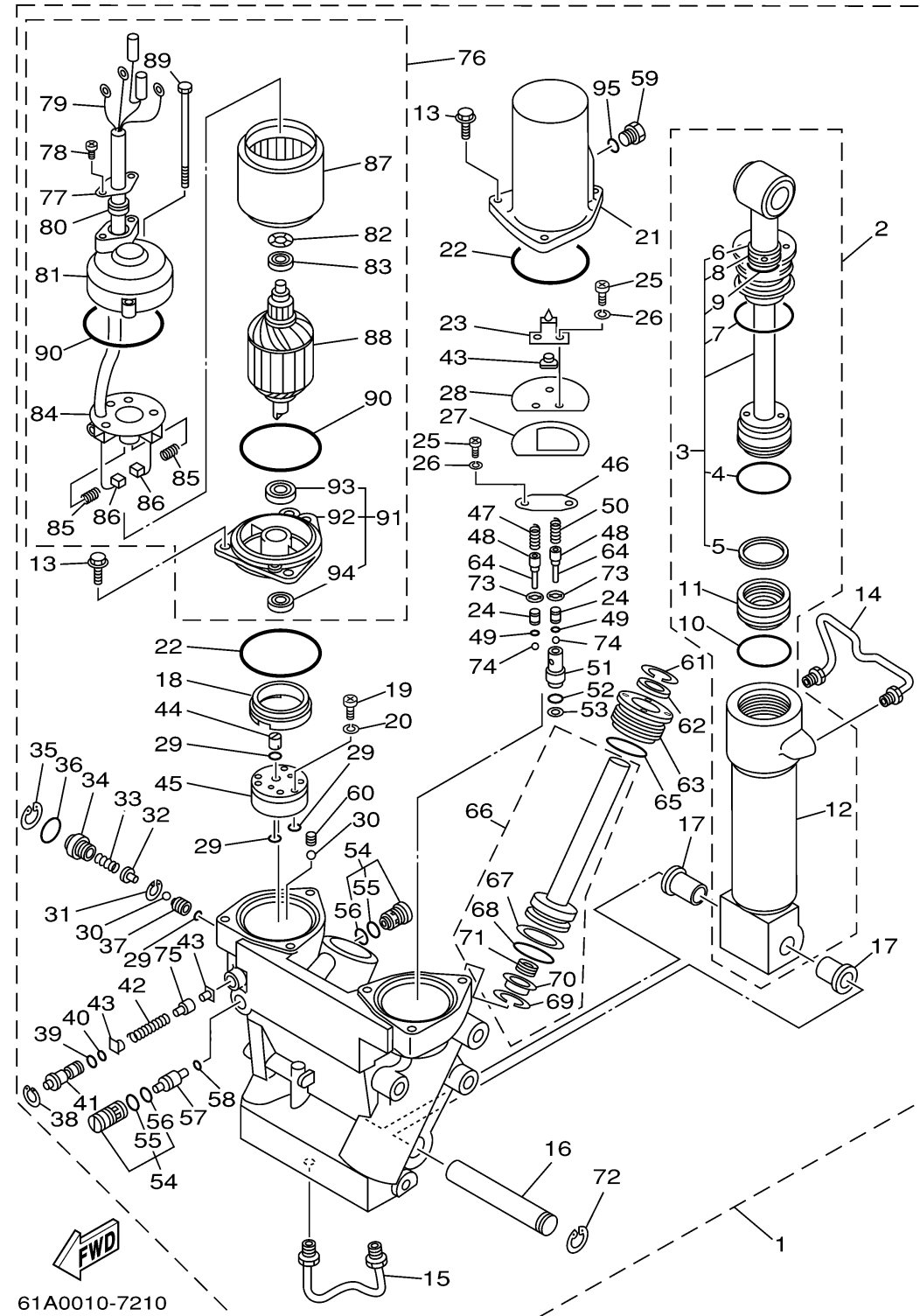
POWER TRIM & TILT ASSY



Ref No.	Part Number	Description	Qty	Remarks
1	61A-43800-25-4D	POWER TRIM & TILT ASSY	1	
2	61A-43840-01-00	..POWER TILT ASSY	1	
3	61A-43810-00-00	...TILT PISTON SUB ASSY	1	
4	61A-43861-00-00	... O-RING	1	
5	61A-43871-00-00RING, BACK UP	1	
6	93106-19N50-00OIL SEAL	1	
7	6H1-43861-00-00O-RING	1	
8	6H1-43872-00-00RING, BACK UP	1	
9	61A-4389H-00-00O-RING	1	
10	61A-43861-00-00	.. O-RING	1	
11	6H1-43814-00-00	... PISTON, FREE	1	
12	61A-43813-01-00	...CYLINDER, TILT	1	
13	97595-06420-00	. BOLT, WITH WASHER	6	
14	61A-43835-01-00	. PIPE	1	
15	61A-43833-01-00	..PIPE	1	
16	61A-43818-00-00	. PIN, LOWER SHOCK MOUNT	1	
17	90386-18M14-00	. BUSH	2	
18	6H1-43817-00-00	..FILTER 2	1	
19	98501-04030-00	..SCREW, PAN HEAD	3	
20	92901-04100-00	..WASHER, SPRING	3	

CONTINUED ON NEXT FRAME >

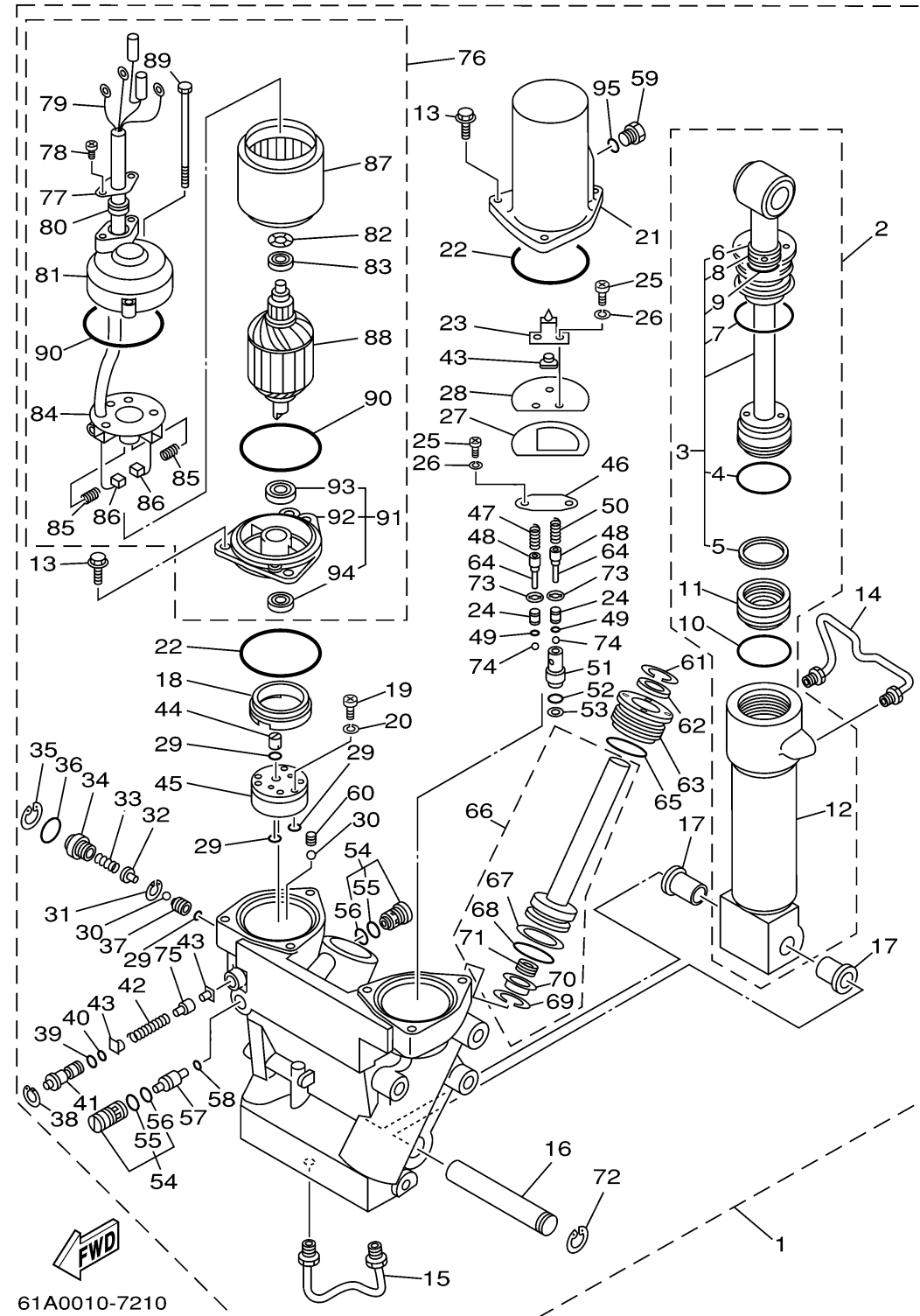
POWER TRIM & TILT ASSY



Ref No.	Part Number	Description	Qty	Remarks
21	61A-43828-00-00	. .BODY, RESERVOIR	1	
22	6H1-43869-00-00	. .O-RING	2	
23	61A-4384L-00-00	. .SPRING, TRIM DOWN	1	
24	6T4-43851-00-00	. .SEAT, RELIEF VALVE	2	
25	98501-05010-00	. .SCREW, PAN HEAD	4	
26	92901-05100-00	. .WASHER, SPRING	4	
27	61A-4384K-00-00	. .PLATE, TRIM DOWN	1	
28	61A-4384J-00-00	. .SEAL, TRIM DOWN	1	
29	93210-064A5-00	. .O-RING	4	
30	93505-32038-00	. .BALL	2	
31	61A-43875-00-00	. .RING, SNAP	1	
32	61A-43848-00-00	. .ROD, MANUAL RELEASE	1	
33	61A-43854-00-00	. .SPRING, MANUAL RELEASE	1	
34	61A-43845-00-00	. .SCREW, MANUAL RELEASE	1	
35	6H1-43875-00-00	. .RING, SNAP	1	
36	93210-18397-00	. .O-RING	1	
37	61A-43847-00-00	. .SEAT, MANUAL VALVE	1	
38	6T4-43876-00-00	. .RING, SNAP	1	
39	93210-07003-00	. .O-RING	1	
40	93210-06001-00	. .O-RING	1	

CONTINUED ON NEXT FRAME >

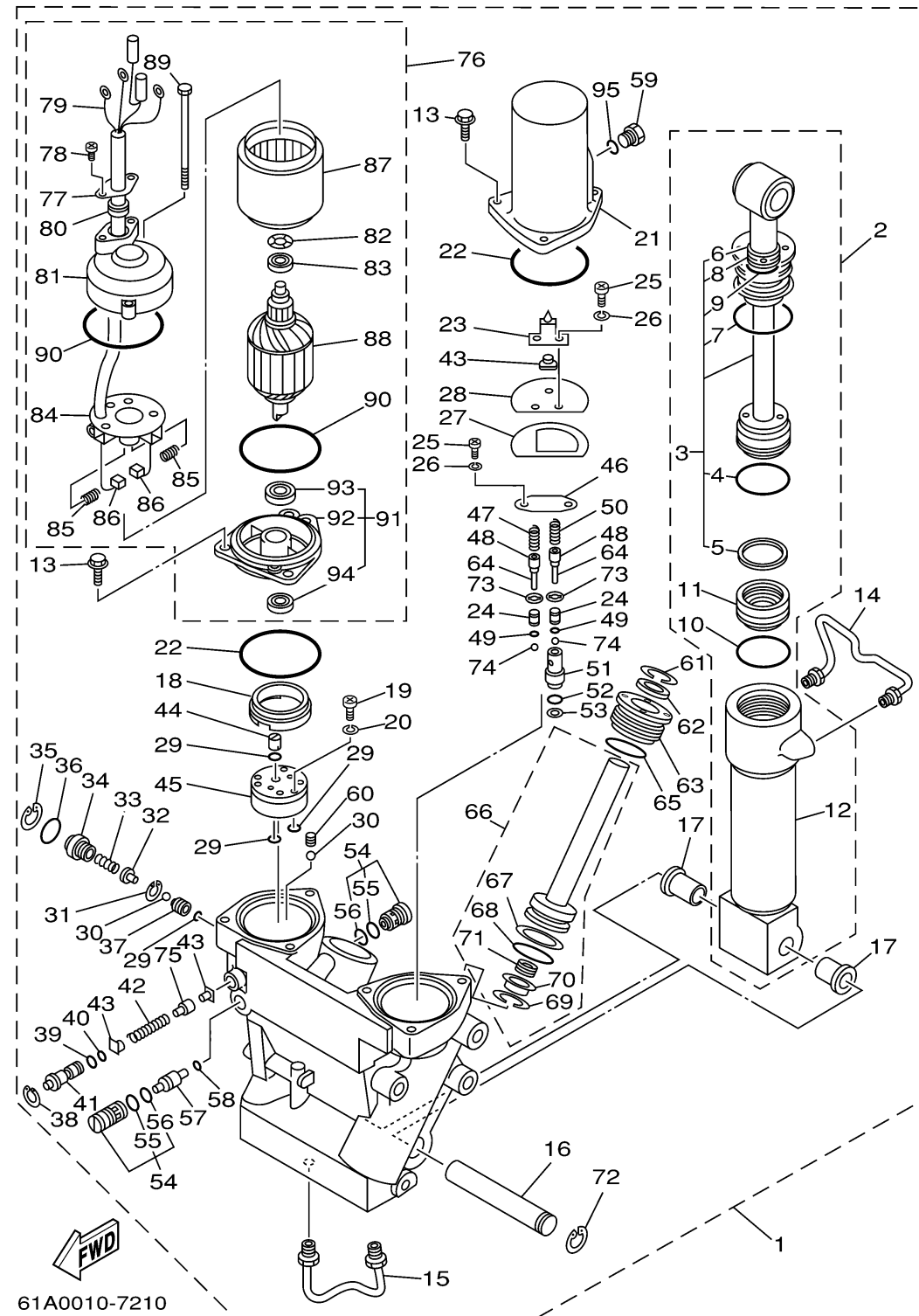
POWER TRIM & TILT ASSY



Ref No.	Part Number	Description	Qty	Remarks
41	6T4-43849-00-00	..PIN, VALVE SUPPORT	1	
42	61A-4385H-00-00	..SPRING, SEAL	1	
43	6H1-4384F-00-00	..SEAL, MAIN VALVE	3	
44	6H1-43831-00-00	..CONNECTOR, SHAFT	1	
45	6T4-43830-00-00	..GEAR PUMP ASSY	1	
46	61A-4382K-00-00	..CAP, RELIEF VALVE	1	
47	6H1-43856-10-00	..SPRING, DOWN RELIEF	1	
48	6T4-43844-00-00	..PIN, VALVE SUPPORT	2	
49	6T4-4384G-00-00	..SEAL, RELIEF VALVE	2	
50	6T4-43855-00-00	..SPRING, UP RELIEF	1	
51	6T4-43895-00-00	..SEAT, RELIEF VALVE	1	
52	93210-10M74-00	...O-RING	1	
53	6H1-43816-00-00	..FILTER 1	1	
54	6T4-43802-03-00	..VALVE SUB ASSY	2	
55	6H1-43866-00-00	...O-RING	1	
56	6H1-43867-00-00	...O-RING	1	
57	6T4-43841-00-00	..PISTON, SHUTTLE	1	
58	93210-09165-00	..O-RING	1	
59	6H1-43829-00-00	..PLUG, RESERVOIR	1	
60	61A-43878-00-00	..BOLT, SOCKET	1	

CONTINUED ON NEXT FRAME >

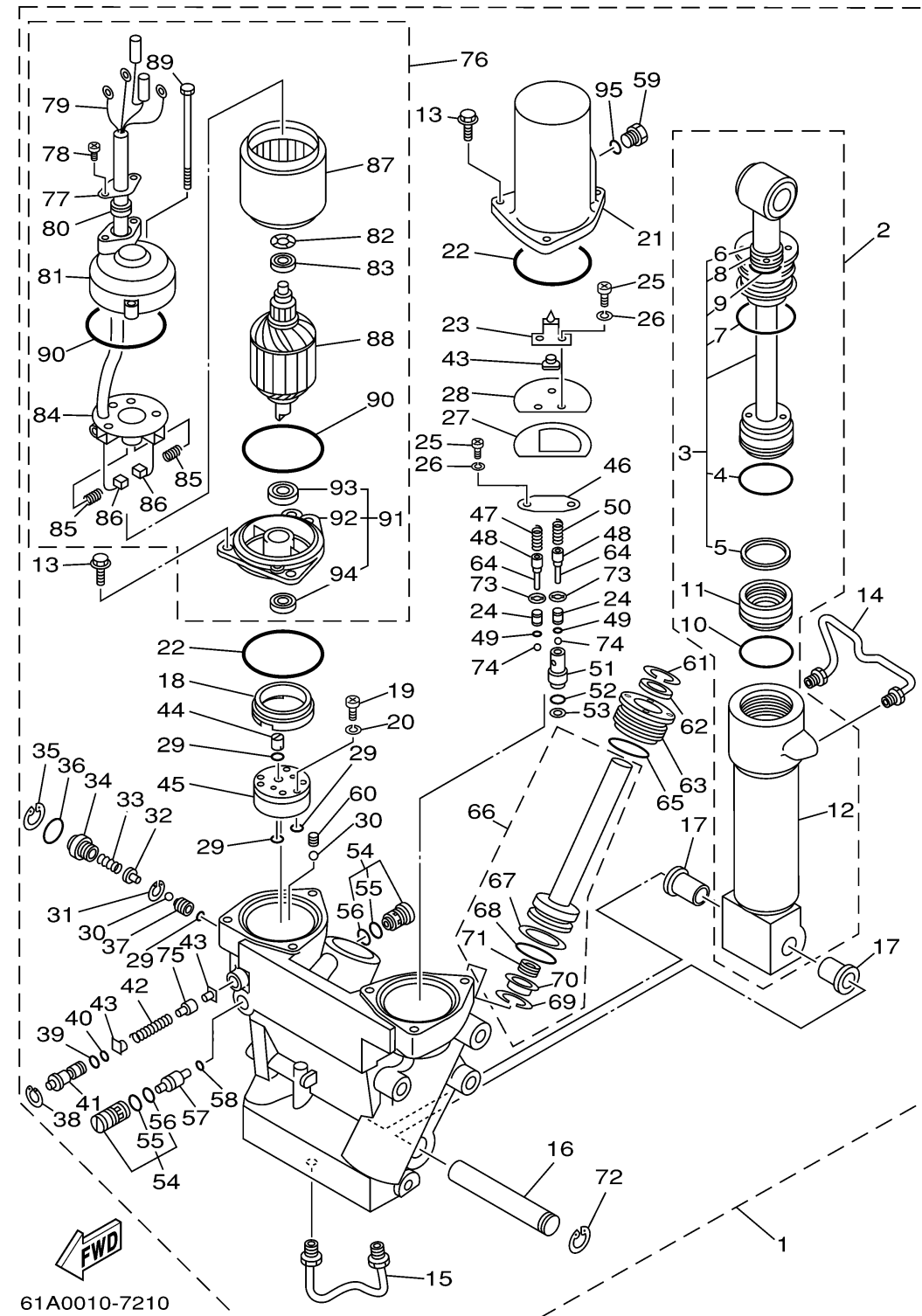
POWER TRIM & TILT ASSY



Ref No.	Part Number	Description	Qty	Remarks
61	6T4-43875-00-00	..RING, SNAP	2	
62	61A-43822-00-00	..SEAL, TRIM DUST	2	
63	61A-43821-00-00	..SCREW, TRIM CYLINDER END	2	
64	91609-10014-00	..PIN, SPRING	2	
65	61A-43861-00-00	..O-RING	2	
66	61A-43820-10-00	..TRIM PISTON SUB ASSY	2	
67	61A-43874-00-00	...RING, BACK UP	1	
68	61A-43864-00-00	...O-RING	1	
69	61A-43875-10-00	...RING, SNAP	1	
70	61A-4383H-11-00	...HOSE, OIL 5	1	
71	61A-4384H-10-00	...SPRING	1	
72	61A-43876-00-00	..RING, SNAP	1	
73	6T4-43893-00-00	..WASHER	2	
74	93501-08001-00	..BALL	2	
75	61A-4382A-00-00	..ADAPTOR 1	1	
76	61A-43880-02-00	..MOTOR ASSY	1	
77	6T4-4386J-00-00	..WASHER, SPECIAL	1	
78	90157-05107-00	...SCREW, PAN HEAD	2	
79	61A-43807-00-00	...WIRE SUB ASSY	1	
80	6T4-43885-00-00	..GROMMET	1	

CONTINUED ON NEXT FRAME >

POWER TRIM & TILT ASSY



Ref No.	Part Number	Description	Qty	Remarks
81	61A-43884-01-00	...FRAME, COMMUTATOR END	1	
82	90206-14086-00	.. WASHER, WAVE	3	
83	93300-60820-00	.. BEARING	1	
84	61A-43806-00-00	...BRUSH HOLDER ASSY	1	
85	61A-4386K-00-00	...SPRING, BRUSH	4	
86	61A-43891-00-00	...BRUSH 1	2	
87	61A-43804-01-00	...STATOR ASSY	1	
88	61A-43805-01-00	...ARMATURE ASSY	1	
89	61A-43887-00-00	...BOLT, THROUGH	2	
90	93210-72789-00	...O-RING	2	
91	61A-43881-01-00	...FRAME, END	1	
92	61A-43881-11-00	...FRAME, END	1	
93	93300-60820-00	... BEARING	1	
94	93102-08414-00	... OIL SEAL	1	
95	93210-09165-00	. O-RING	1	