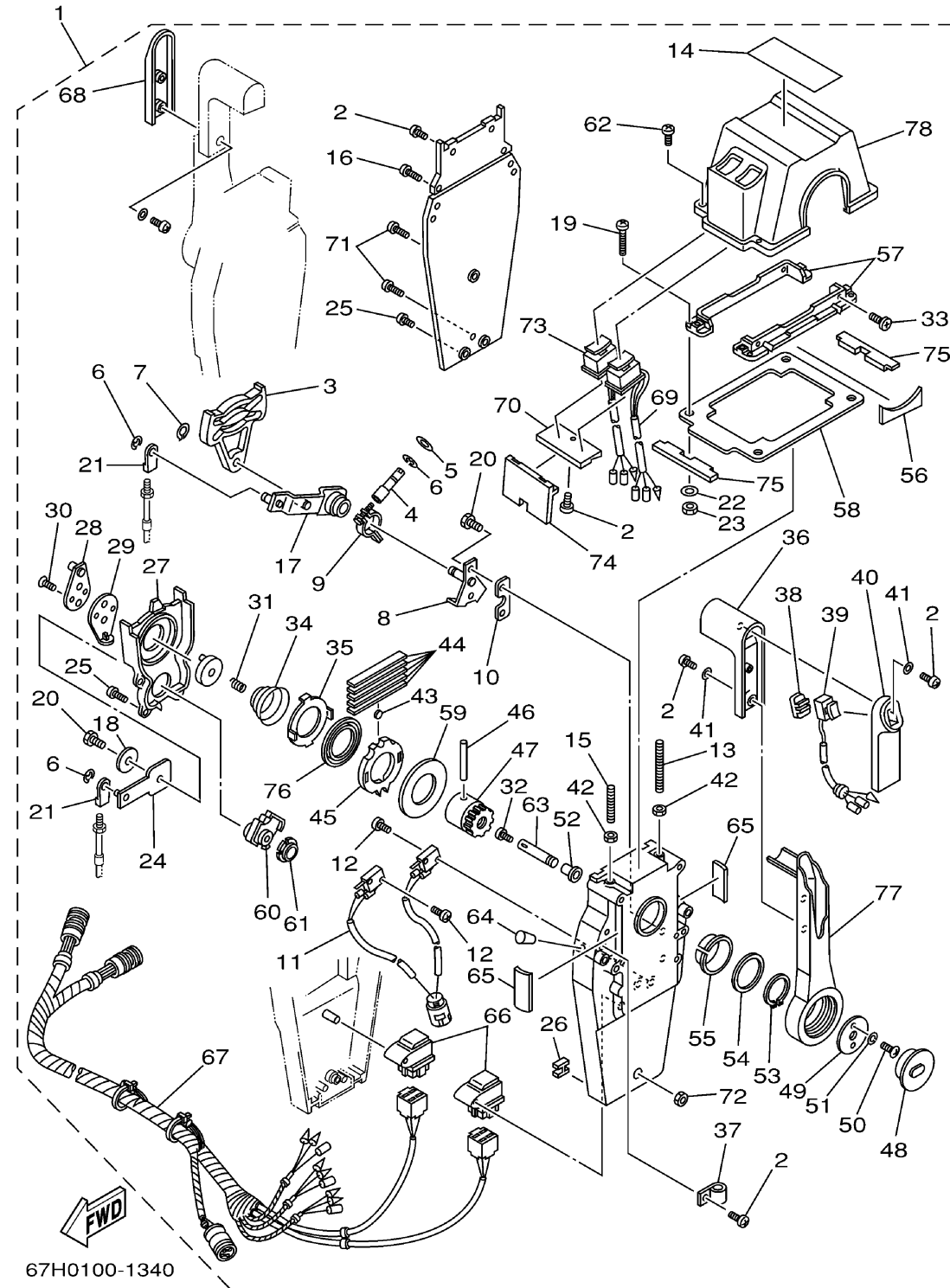


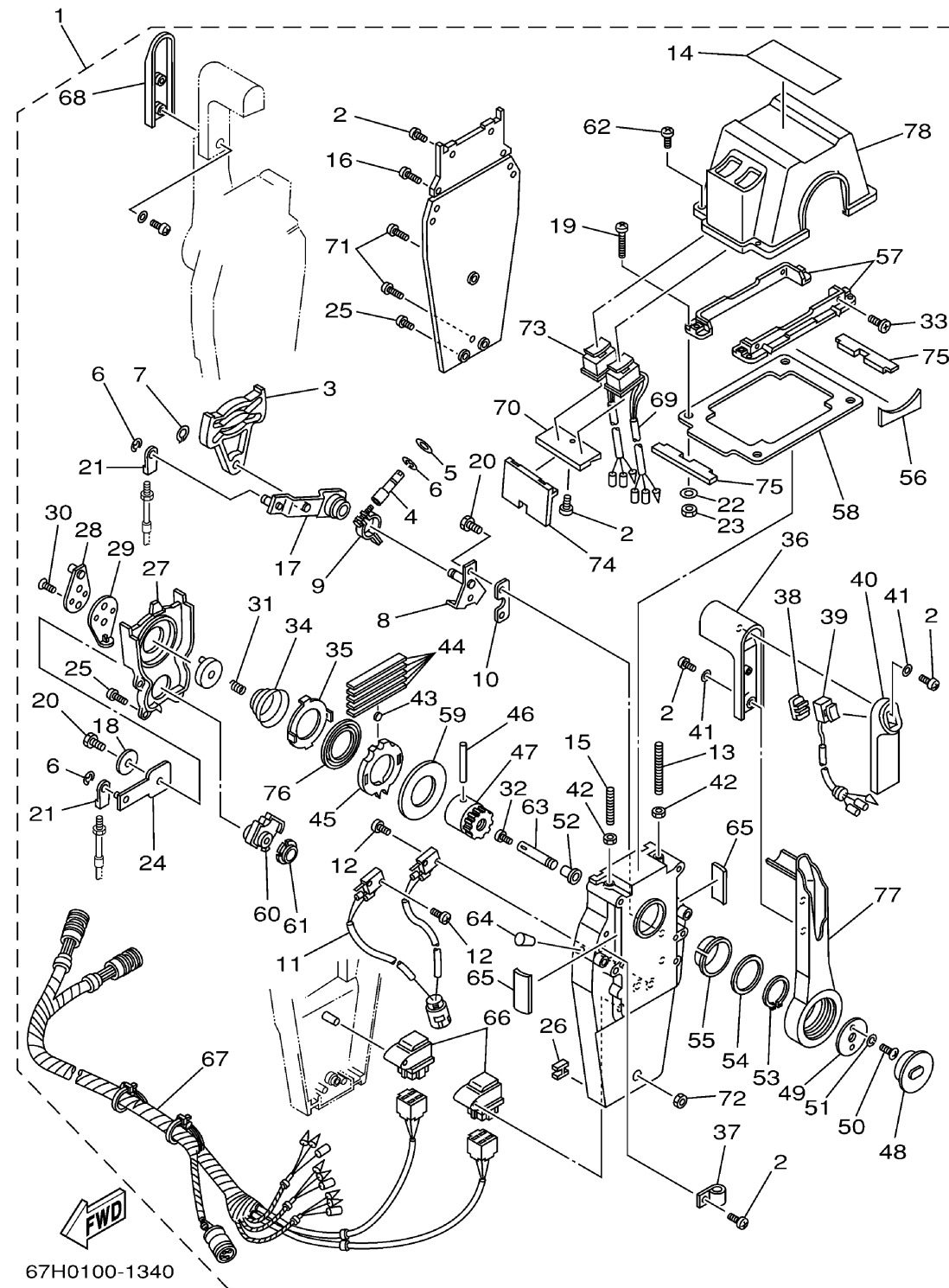
# REMOTE CONTROL ASSY 2



Ref No.	Part Number	Description	Qty	Remarks
1	704-48207-23-00	REMOTE CONTROL ASSY	1	AP LX225, LX250 WITH PT/T SW.
2	97890-05016-00	..SCREW, PAN HEAD	12	
3	EL8-48251-00-00	..PLATE, CAM	2	
4	704-48265-00-00	..SHAFT, FRICTION	2	
5	701-48246-00-00	..SPACER	2	
6	93430-06024-00	..CIRCLIP	8	
7	EL8-48259-00-00	..CIRCLIP 1	2	
8	704-48262-00-00	..SHAFT, THROTTLE	2	
9	704-48264-00-00	..THROTTLE, FRICTION	2	
10	704-48266-00-00	..SPACER	2	
11	704-82540-10-00	..NEUTRAL SWITCH ASSY	1	
12	6A5-48129-10-00	..SCREW 3	4	
13	EL8-48281-00-00	..SCREW	2	
14	704-48215-10-00	..GRAPHIC	1	
15	704-48281-00-00	..SCREW	2	
16	97890-05025-00	..SCREW, PAN HEAD	4	
17	704-48261-00-00	..ARM, THROTTLE	2	
18	EL8-48191-00-00	..WASHER 1	2	
19	704-48283-00-00	..SCREW	4	
20	97380-06018-00	..BOLT	6	

CONTINUED ON NEXT FRAME >

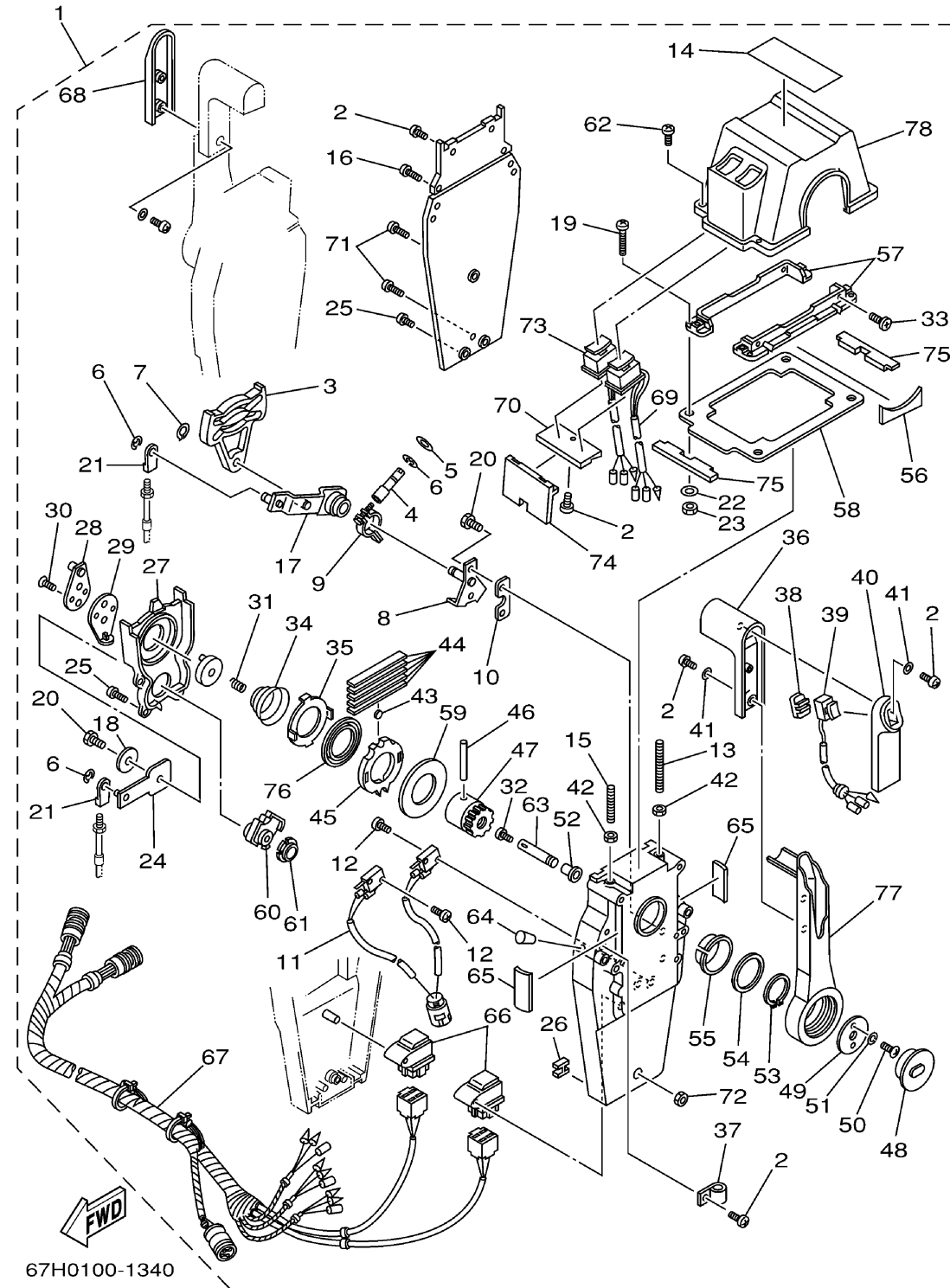
# REMOTE CONTROL ASSY 2



Ref No.	Part Number	Description	Qty	Remarks
21	703-48345-01-00	. .CABLE END, REMOTE CONTROL 2	4	
22	704-48287-00-00	. .WASHER	4	
23	95380-05600-00	. .NUT	4	
24	EL8-48271-00-00	. .ARM, SHIFT	2	
25	EL8-48127-00-00	. .SCREW 1	16	
26	703-48358-00-00	. .ANCHOR, CABLE	2	
27	EL8-48231-00-00	. .HOUSING, GEAR	2	
28	EL8-48241-00-00	. .ARM, DRIVE	2	
29	EL8-48254-00-00	. .STOPPER, THROTTLE ADJUSTING	2	
30	92780-06020-00	. .SCREW, FLAT HEAD	4	
31	EL8-48158-00-00	. .SPRING 1	2	
32	98580-04006-00	. .SCREW, PAN HEAD	2	
33	98780-05018-00	. .SCREW, FLAT HEAD	4	
34	EL8-48244-00-00	. .SPRING, FREE ACCEL.	2	
35	EL8-48245-00-00	. .PLATE, LOCK	2	
36	704-48222-00-00	. .GRIP, CONTROL LEVER	2	
37	704-82594-00-00	. .CLAMP	1	
38	704-48228-00-00	. .HOLDER, SWITCH	1	
39	704-82563-31-00	. .TRIM & TILT SWITCH ASSY	1	
40	704-48229-00-00	. .GRIP, CONTROL LEVER	1	

CONTINUED ON NEXT FRAME >

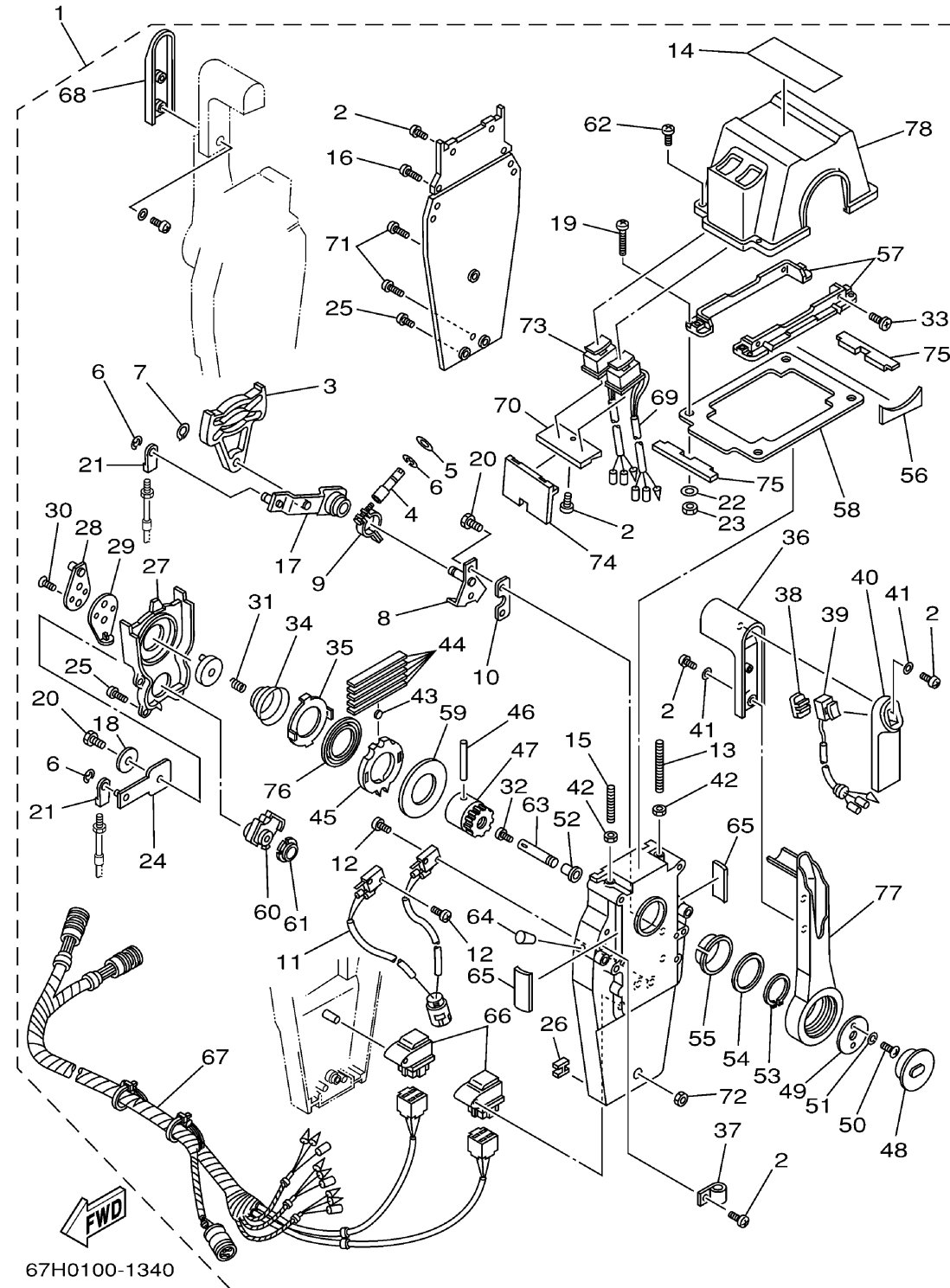
# REMOTE CONTROL ASSY 2



Ref No.	Part Number	Description	Qty	Remarks
41	92990-05300-00	. WASHER, INTERNAL TOOTH	6	
42	95380-06600-00	. NUT, HEXAGON	4	
43	701-48248-00-00	. ROLLER, FREE ACCEL.	2	
44	703-48238-00-00	. SPRING, DETENT	10	
45	EL8-48232-00-00	. GEAR 1	2	
46	EL8-48164-00-00	. PIN 2	2	
47	704-48242-00-00	. SHAFT, DRIVE	2	
48	704-48225-00-00	. COVER	2	
49	704-48192-00-00	. WASHER 2	2	
50	97890-06018-00	. SCREW, PAN HEAD	4	
51	92990-06300-00	. WASHER, INTERNAL TOOTH	4	
52	702-48263-00-00	. BUSHING	2	
53	EL8-48279-00-00	. CIRCLIP 2	2	
54	704-48193-00-00	. WASHER 3	2	
55	EL8-48234-00-00	. BUSHING 1	2	
56	704-48219-00-00	. COVER, LEAD	2	
57	704-48144-00-00	. PLATE, STOPPER 2	2	
58	704-48176-10-00	. GROMMET	1	
59	703-48192-00-00	. WASHER 2	2	
60	EL8-48233-00-00	. GEAR 2	2	

CONTINUED ON NEXT FRAME >

# REMOTE CONTROL ASSY 2



Ref No.	Part Number	Description	Qty	Remarks
61	703-48235-00-00	. .BUSHING	2	
62	704-48282-00-00	. .SCREW	4	
63	EL8-48153-10-00	. .SHAFT, FREE ACCEL.	2	
64	704-48166-00-00	. .PLUG	2	
65	704-48284-00-00	. .GROMMET	4	
66	704-81950-00-00	. .RELAY ASSY	2	
67	704-82590-10-00	. .WIRE HARNESS ASSY	1	
68	704-48229-10-00	. .GRIP, CONTROL LEVER	1	
69	704-82563-E0-00	. .TRIM & TILT SWITCH ASSY	1	
70	704-48228-10-00	. .HOLDER, SWITCH	1	
71	704-48128-00-00	. .SCREW 2	3	
72	704-48156-00-00	. .NUT 1	1	
73	704-82563-F0-00	. .TRIM & TILT SWITCH ASSY	1	
74	704-48285-00-00	. .GROMMET 2	1	
75	704-48286-00-00	. .GROMMET 3	2	
76	704-48178-00-00	. .PLATE, SHIFT	2	
77	704-48221-00-00	. .LEVER, CONTROL	2	
78	704-48119-20-00	. .COVER	1	