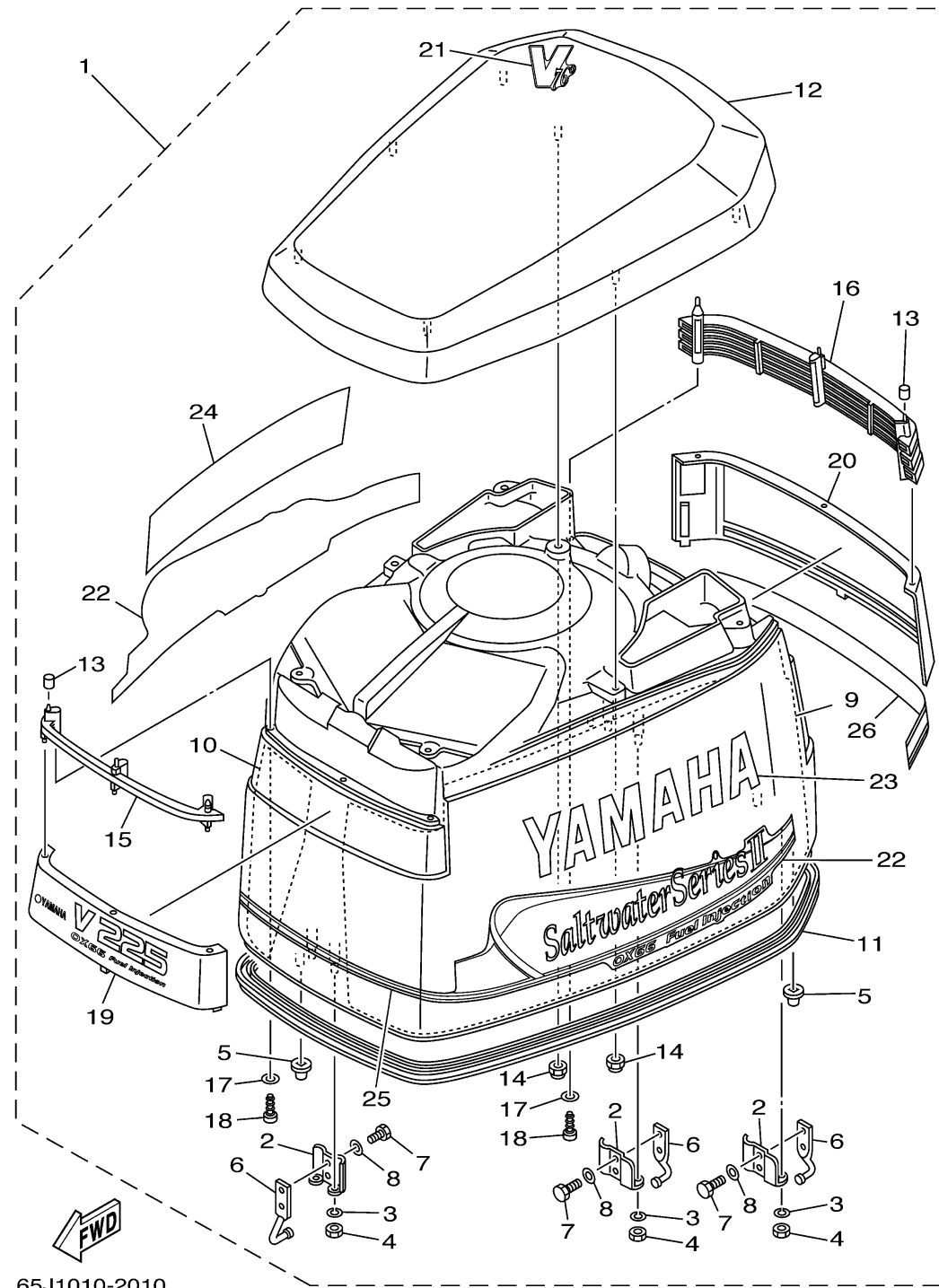


TOP COWLING

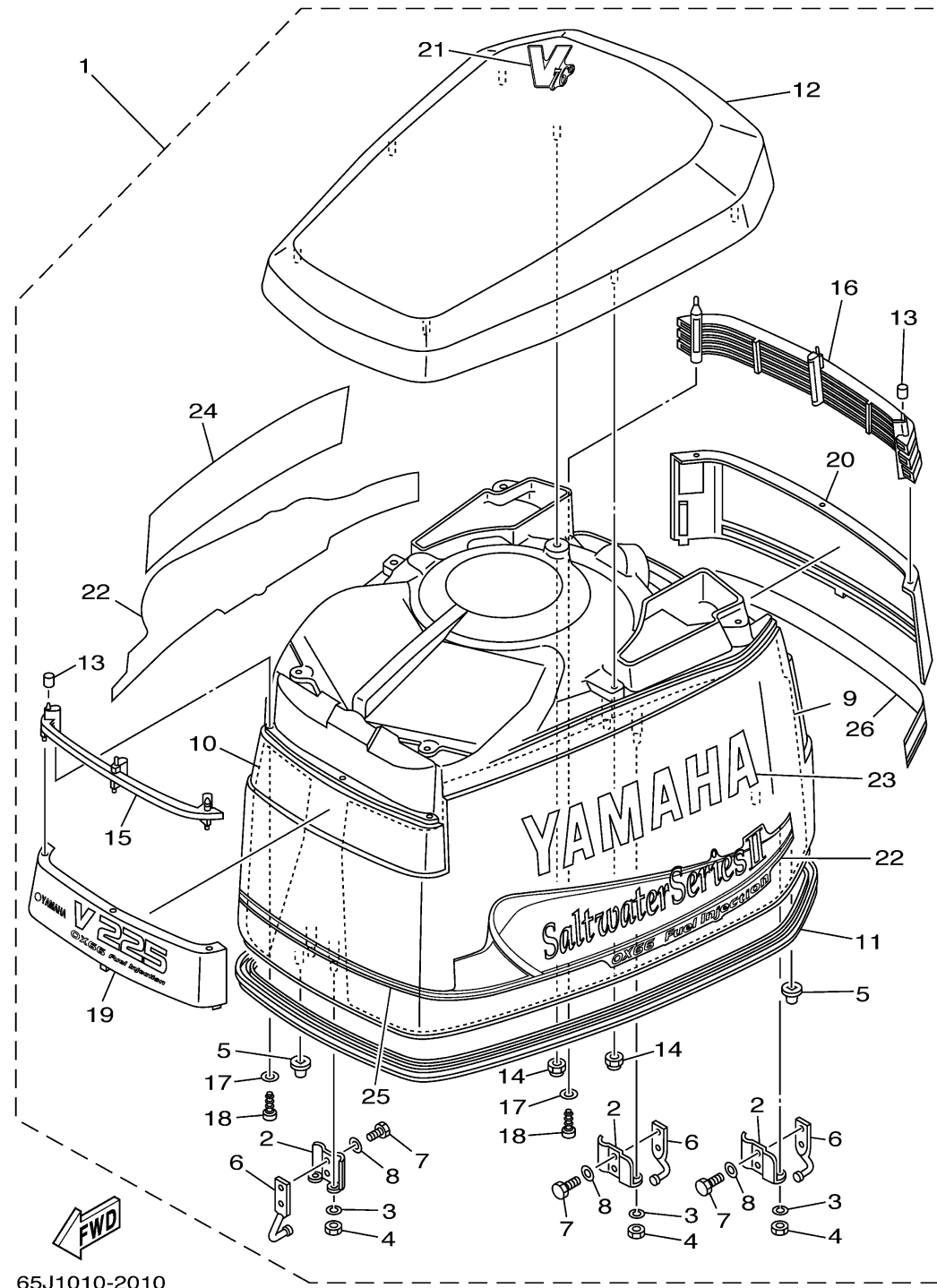


65J1010-2010

Ref No.	Part Number	Description	Qty	Remarks
1	65J-42610-00-4D	TOP COWLING ASSY	1	UR SX225, LX225
1	65L-42610-00-4D	TOP COWLING ASSY	1	UR SX250, LX250
2	6R3-42647-00-00	. .HOLDER, CLAMP BAND	3	
3	92990-06100-00	. .WASHER, SPRING	6	
4	95380-06600-00	. .NUT, HEXAGON	6	
5	6R3-42662-00-00	. .DAMPER	3	
6	6R3-42814-00-00	. .HOOK, CLAMP	3	
7	97095-06012-00	. .BOLT	6	
8	92995-06600-00	. .WASHER	6	
9	61A-42619-02-00	. .DAMPER, FORM	1	
10	61A-42627-02-00	. .DAMPER, FORM	1	
11	61A-42615-01-00	. .SEAL	1	
12	61A-42613-01-4D	. .MOLDING, AIR DUCT	1	
13	90385-04M05-00	. .BUSH	6	
14	90179-06M24-00	. .NUT	7	
15	61A-42626-00-00	. .LOUVER, 1	1	
16	61A-42636-00-00	. .LOUVER 2	1	
17	92990-04600-00	. .WASHER, PLATE	6	
18	97780-40520-00	. .SCREW, TAPPING	6	
19	65J-42686-00-00	. .EMBLEM, FRONT	1	UR SX225, LX225

CONTINUED ON NEXT FRAME >

TOP COWLING



65J1010-2010

Ref No.	Part Number	Description	Qty	Remarks
19	65L-42686-00-00	. EMBLEM, FRONT	1	UR SX250, LX250
20	65L-42687-V0-00	. EMBLEM, REAR	1	UR SX250, LX250
20	65J-42687-V0-00	. EMBLEM, REAR	1	UR SX225, LX225
21	65J-42683-S0-00	. MARK, COWLING	1	UR SX225, LX225
21	65L-42683-S0-00	. MARK, COWLING	1	UR SX250, LX250
22	65L-W0070-V0-00	. .GRAPHIC SET	1	
23	61A-42681-S1-00	. MARK, COWLING	1	UR SX250, LX250
23	62J-42681-S1-00	. MARK, COWLING	1	UR SX225, LX225
24	62J-42682-S1-00	. MARK, COWLING	1	UR SX225, LX225
24	61A-42682-S1-00	. MARK, COWLING	1	UR SX250, LX250
25	61A-42677-S1-00	. .GRAPHIC, FRONT	1	
26	61A-4267A-S1-00	. .GRAPHIC, REAR 2	1	