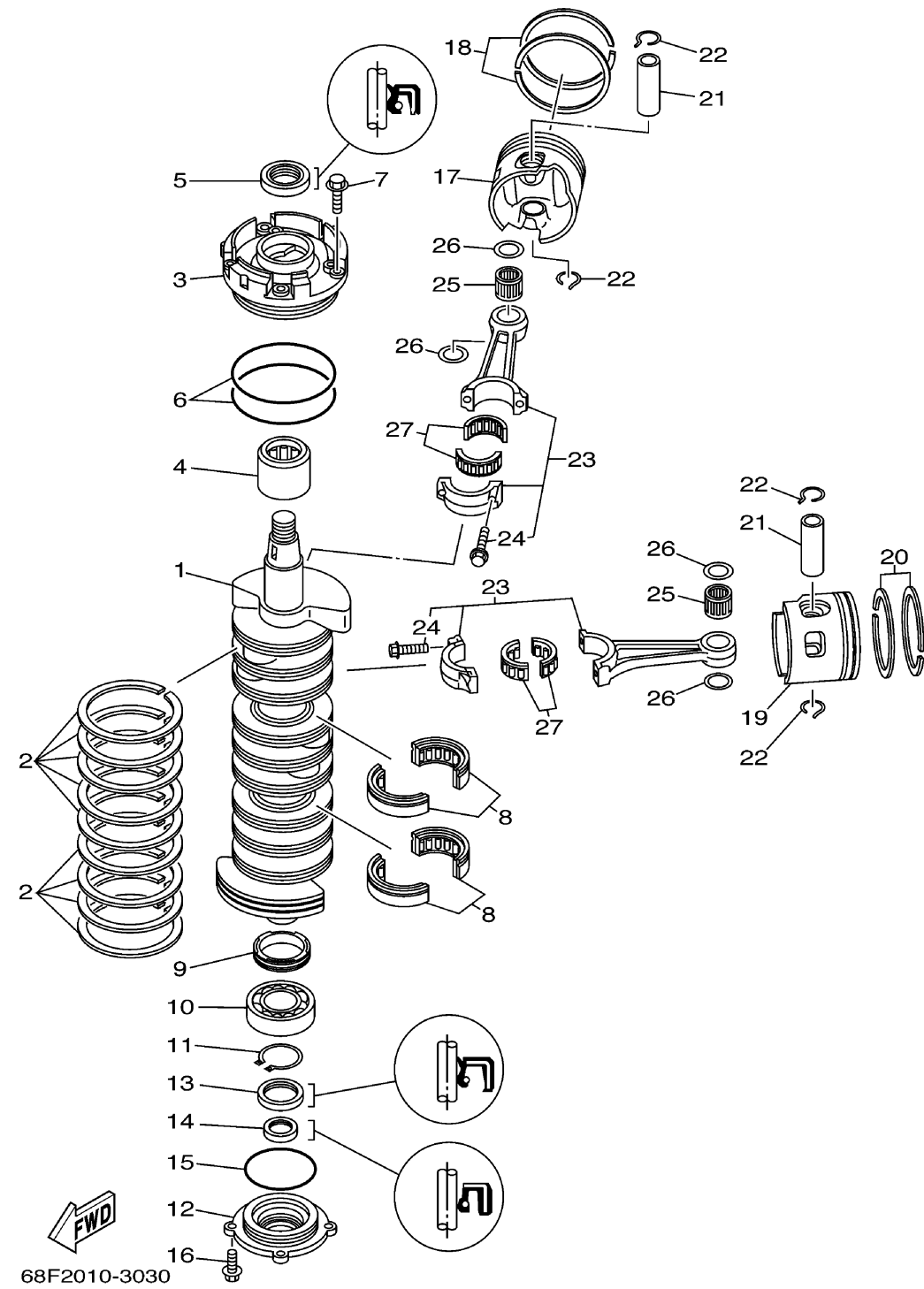


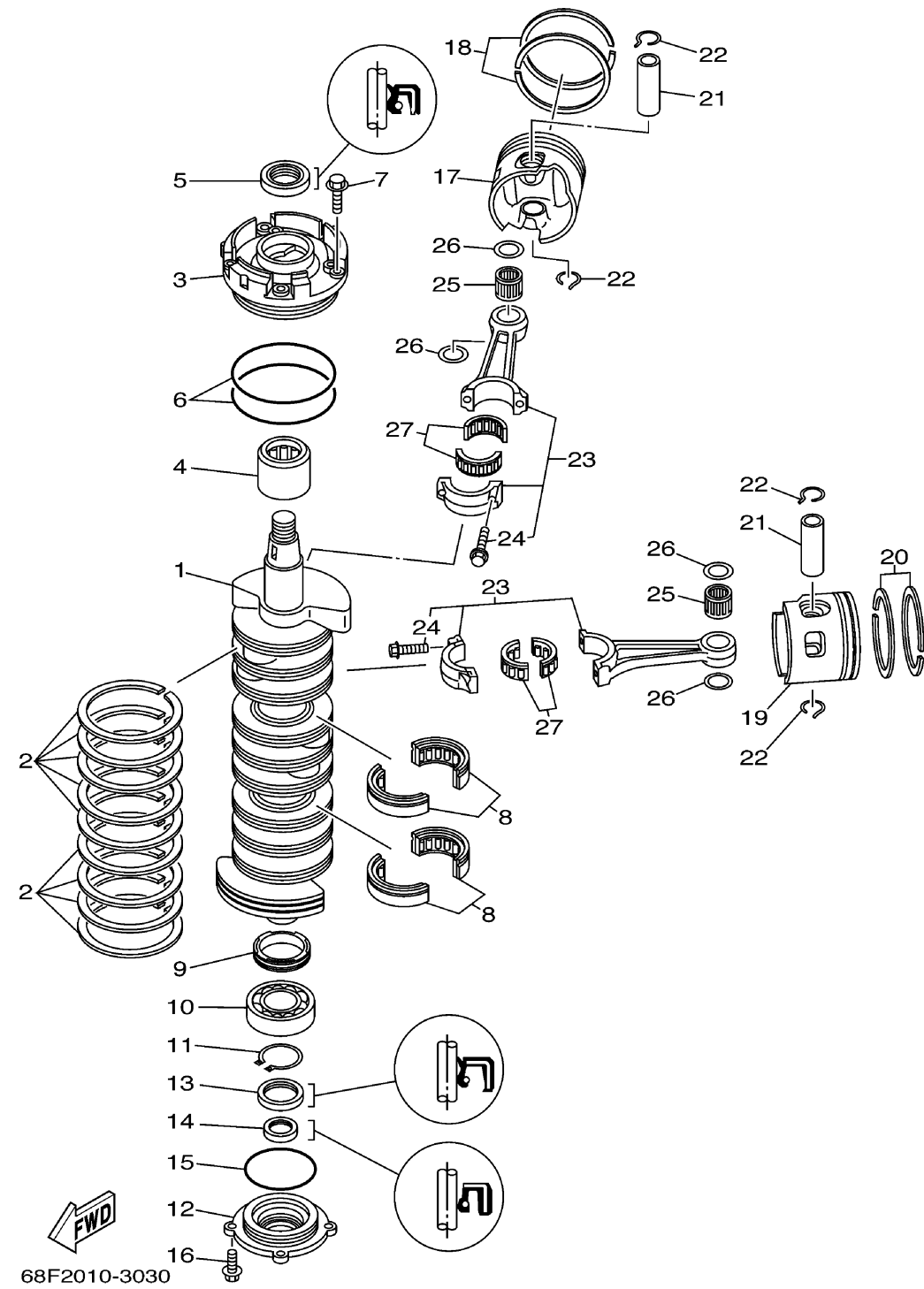
CRANKSHAFT PISTON



Ref No.	Part Number	Description	Qty	Remarks
1	68F-11411-01-00	CRANKSHAFT	1	
2	6E5-11447-00-00	SEAL, CRANK	9	
3	68F-15163-00-94	HOUSING, BEARING 1	1	
4	93311-940U3-00	BEARING	1	
5	93102-40M14-00	.OIL SEAL	1	
6	93211-04001-00	.O-RING	2	
7	90119-06MA3-00	BOLT, WITH WASHER	4	
8	93310-954U1-00	BEARING	2	
9	6R3-11536-00-00	GEAR, DRIVE	1	
10	93306-208U0-00	BEARING	1	
11	93410-40M03-00	CIRCLIP	1	
12	6G5-15359-00-94	HOUSING, OIL SEAL	1	
13	93102-35M61-00	.OIL SEAL	1	
14	93101-22M15-00	.OIL SEAL	1	
15	93210-74M35-00	.O-RING	1	
16	90119-06MA2-00	BOLT, WITH WASHER	4	
17	68F-11636-01-00	PISTON (0.50MM O/S)	3	AP
17	68F-11635-01-00	PISTON (0.25MM O/S)	3	AP
17	68F-11631-01-85	PISTON (STD)	3	
18	68F-11605-01-00	PISTON RING SET (0.50MM O/S)	3	AP

CONTINUED ON NEXT FRAME >

CRANKSHAFT PISTON



Ref No.	Part Number	Description	Qty	Remarks
18	68F-11604-01-00	PISTON RING SET (0.25MM O/S)	3	AP
18	68F-11603-01-00	PISTON RING SET (STD)	3	
19	68F-11642-01-85	PISTON 2 (STD)	3	
19	68F-11645-01-00	PISTON 2 (0.25MM O/S)	3	AP
19	68F-11646-01-00	PISTON 2 (0.50MM O/S)	3	AP
20	68F-11605-01-00	PISTON RING SET (0.50MM O/S)	3	AP
20	68F-11604-01-00	PISTON RING SET (0.25MM O/S)	3	AP
20	68F-11603-01-00	PISTON RING SET (STD)	3	
21	6R5-11633-10-00	PIN, PISTON	6	
22	6R5-11634-10-00	CLIP, PISTON PIN	12	
23	60F-11650-00-00	CONNECTING ROD ASSY	6	UR VZ200
23	68L-11650-00-00	CONNECTING ROD ASSY	6	UR VZ175
23	6R5-11650-10-00	CONNECTING ROD ASSY	6	UR VZ150
24	90109-08022-00	..BOLT	2	
25	93310-32337-00	BEARING	6	UR VZ200
25	93310-323V6-00	BEARING	6	UR VZ150, VZ175
26	90201-23M01-00	WASHER, PLATE	12	
27	93310-836U0-00	BEARING	6	