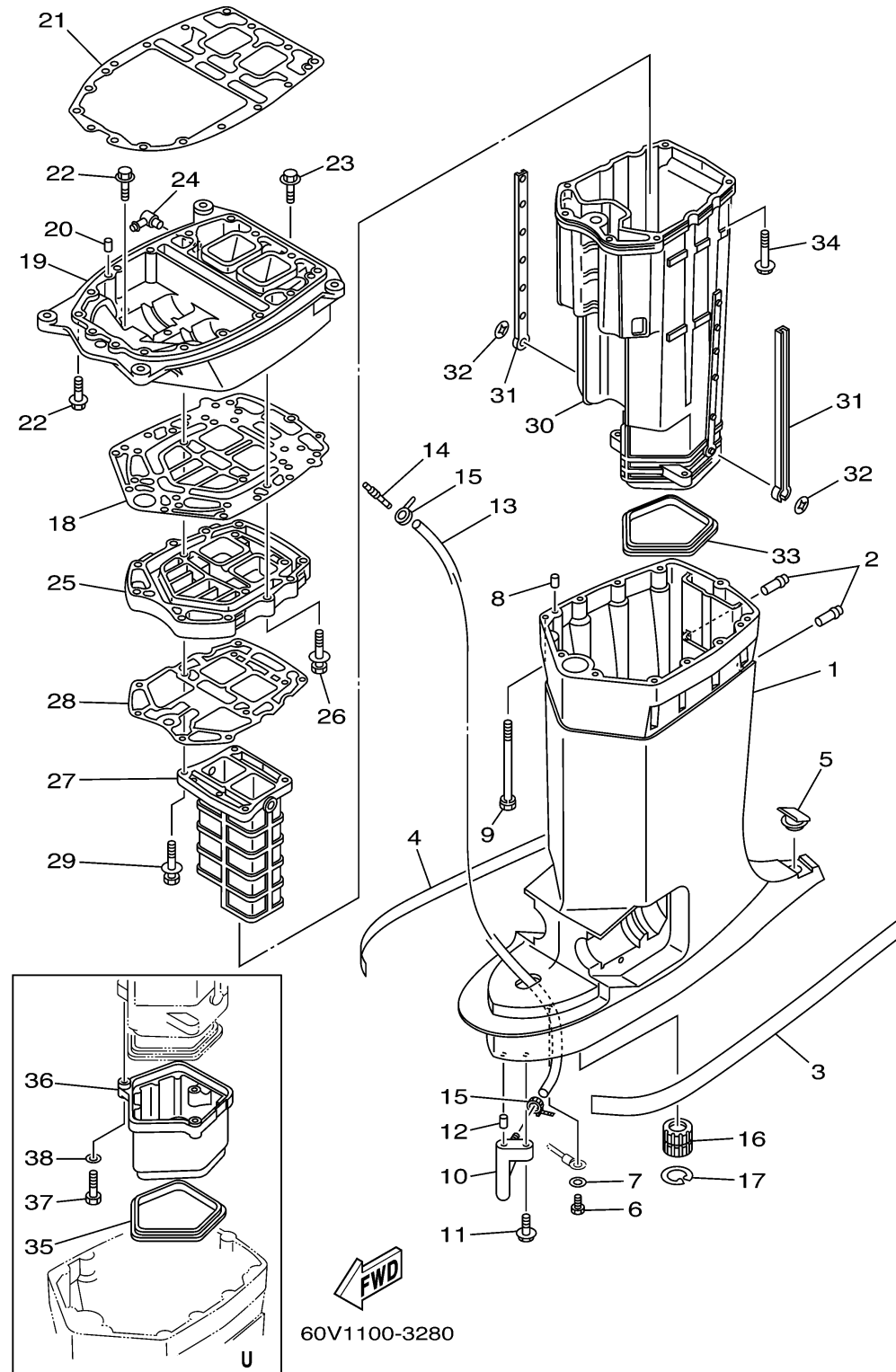


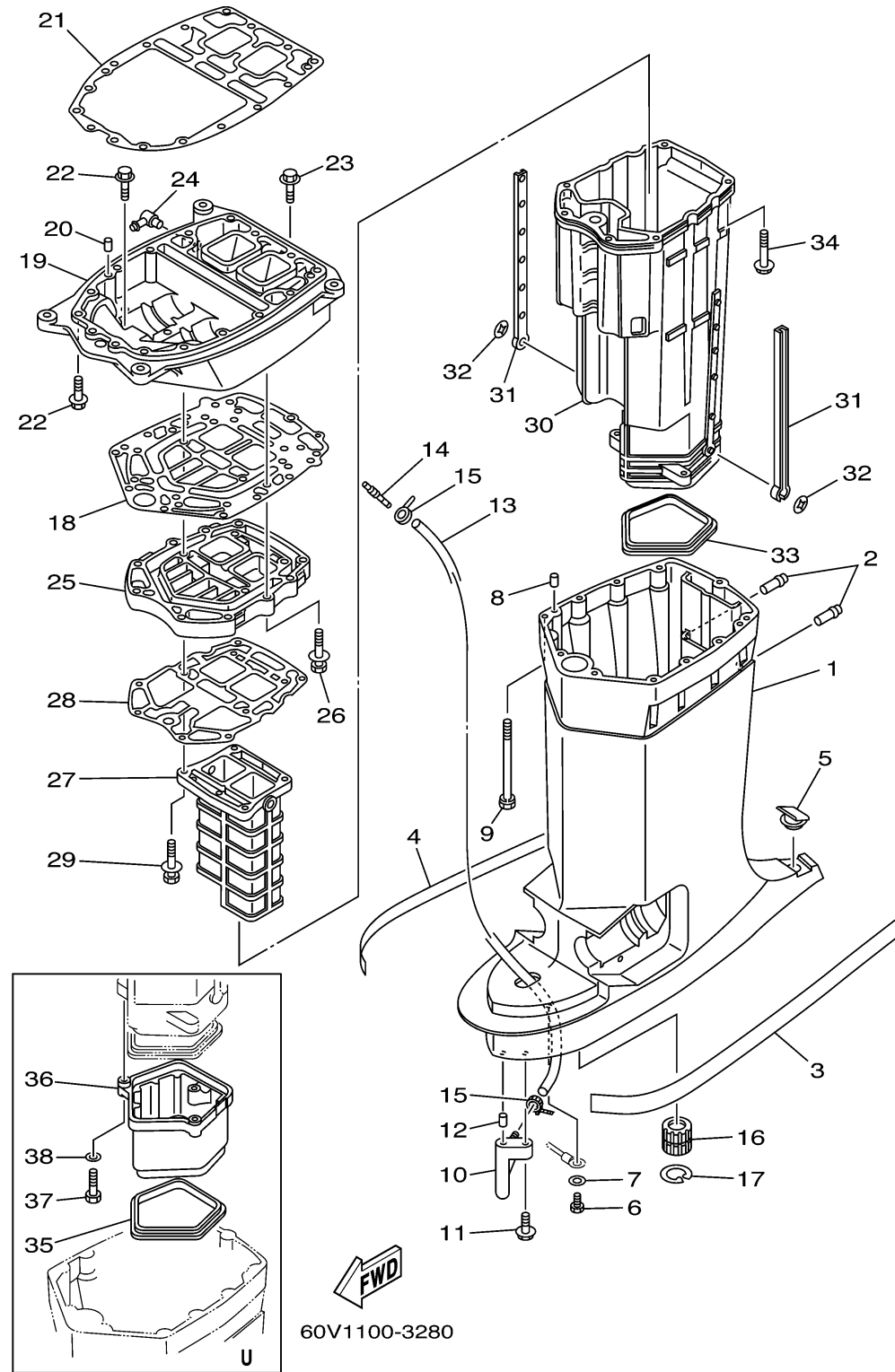
# UPPER CASING



Ref No.	Part Number	Description	Qty	Remarks
1	60V-45111-20-8D	CASING, UPPER	1	UR X
1	60V-45111-30-8D	CASING, UPPER	1	UR U
2	6E5-24377-00-00	PIPE, JOINT 2	2	
3	61A-42791-S0-00	MARK 1	1	
4	61A-42792-S0-00	MARK	1	
5	61A-45155-00-00	CAP	1	
6	97095-06010-00	BOLT	1	
7	92995-06600-00	WASHER	1	
8	93608-12M05-00	PIN, DOWEL	2	
9	90119-08052-00	BOLT, WITH WASHER	8	
10	61A-45378-00-00	NIPPLE, HOSE	1	
11	90119-06M17-00	BOLT, WITH WASHER	1	
12	93606-12019-00	.PIN, DOWEL	1	
13	90445-07MF0-00	HOSE (L1030)	1	UR X
13	90445-07M21-00	HOSE (L1160)	1	UR U
14	6E5-83558-00-00	END, NIPPLE	1	
15	90465-11M10-00	CLAMP	2	
16	6E5-45318-00-00	BUSHING, DRIVE SHAFT	1	
17	93420-36M01-00	CIRCLIP	1	
18	60V-45114-00-00	.GASKET, UPPER CASING	1	

CONTINUED ON NEXT FRAME >

# UPPER CASING



Ref No.	Part Number	Description	Qty	Remarks
19	60V-41137-00-94	GUIDE, EXHAUST	1	
20	93608-12M05-00	PIN, DOWEL	2	
21	60V-45113-00-00	.GASKET, UPPER CASING	1	
22	90119-08065-00	BOLT, WITH WASHER	8	FROM 60V-100890~1002621 AND 60W-1000332~1001149
22	90119-08053-00	BOLT, WITH WASHER	8	FROM 60V-1000001~1000889 AND 60W-1000001~1000331
23	90119-08060-00	BOLT, WITH WASHER	1	
24	6H1-11372-00-00	.NIPPLE, HOSE	1	
25	60V-41131-00-94	MANIFOLD, EXT. 1	1	
26	90119-08056-00	BOLT, WITH WASHER	4	
27	61A-41132-01-5B	MANIFOLD, EXHAUST	1	
28	61A-41134-A0-00	.GASKET, EXHAUST MANIFOLD	1	
29	90119-08059-00	BOLT, WITH WASHER	4	
30	60V-14711-20-5B	MUFFLER 1	1	
31	6E5-14737-00-00	DAMPER, MUFFLER	2	
32	90183-05M02-00	NUT, SPRING	2	
33	61A-45123-01-00	GASKET, MUFFLER	1	
34	90119-08059-00	BOLT, WITH WASHER	6	
35	61A-45123-01-00	GASKET, MUFFLER	1	U
36	61A-14721-30-5B	MUFFLER 2	1	U
37	97095-06035-00	BOLT	3	U

CONTINUED ON NEXT FRAME >

# UPPER CASING

Ref No.	Part Number	Description	Qty	Remarks
38	92995-06600-00	WASHER	3	U

