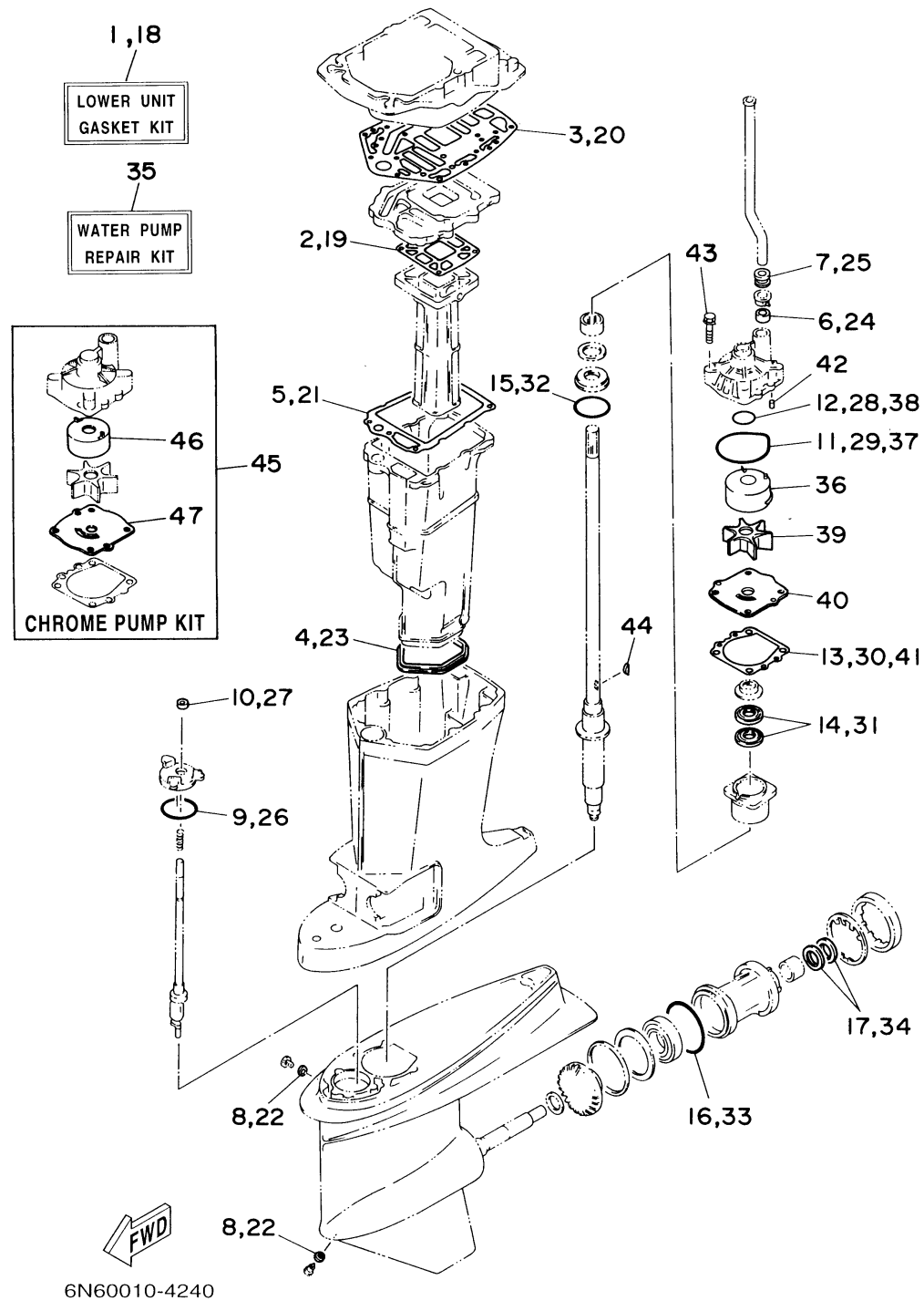


REPAIR KIT 2

Ref No.	Part Number	Description	Qty	Remarks
1	6E5-W0001-F1-00	LOWER UNIT GASKET KIT	1	115
2	6E5-41134-A0-00	..GASKET, EXHAUST MANIFOLD	1	
3	6G5-45114-A1-00	..GASKET, UPPER CASING	1	
4	6E5-45123-00-00	..GASKET, MUFFLER	1	
5	6E5-41135-A0-00	..GASKET, EXHAUST MANIFOLD	1	
6	6E5-44365-00-00	..DAMPER, WATER SEAL 1	1	
7	6E5-44366-00-00	..DAMPER, WATER SEAL 2	1	
8	90430-08020-00	..GASKET	2	
9	93210-58144-00	..O-RING	1	
10	93106-09014-00	..OIL SEAL	1	
11	93210-86M38-00	..O-RING	1	
12	93210-37160-00	..O-RING	1	
13	6E5-44315-A0-00	..GASKET, WATER PUMP	1	
14	93101-28M16-00	..OIL SEAL	2	
15	93210-55M14-00	..O-RING	1	
16	93210-86M39-00	..O-RING	1	
17	93101-30M17-00	..OIL SEAL	2	
18	6F3-W0001-C1-00	LOWER UNIT GASKET KIT	1	130
19	6G5-41134-A1-00	..GASKET, EXHAUST MANIFOLD	1	
20	6G5-45114-A1-00	..GASKET, UPPER CASING	1	

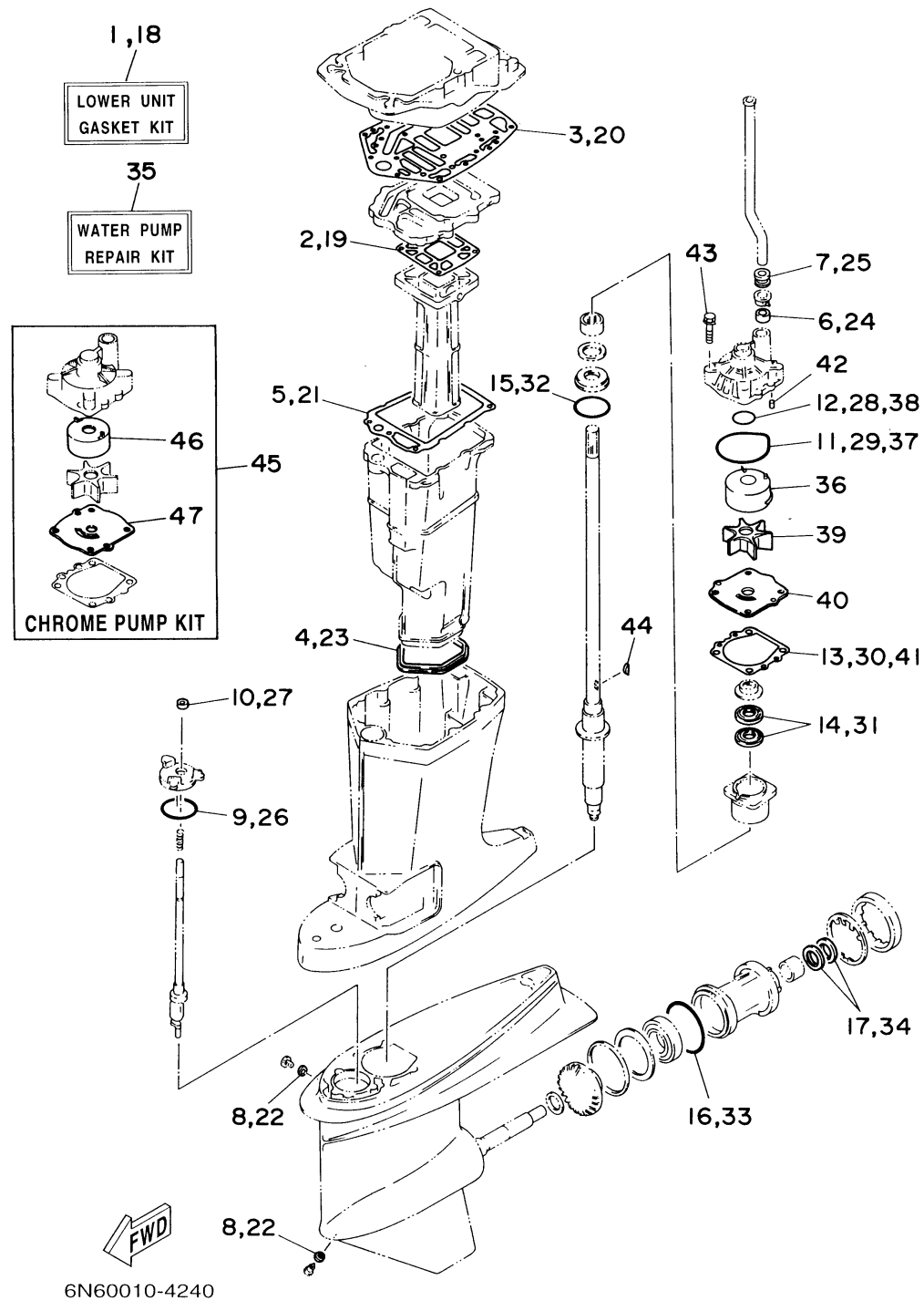
CONTINUED ON NEXT FRAME >



REPAIR KIT 2

Ref No.	Part Number	Description	Qty	Remarks
21	6E5-41135-A0-00	..GASKET, EXHAUST MANIFOLD	1	
22	90430-08020-00	..GASKET	2	
23	6E5-45123-00-00	..GASKET, MUFFLER	1	
24	6E5-44365-00-00	..DAMPER, WATER SEAL 1	1	
25	6E5-44366-00-00	..DAMPER, WATER SEAL 2	1	
26	93210-58144-00	..O-RING	1	
27	93106-09014-00	..OIL SEAL	1	
28	93210-37160-00	..O-RING	1	
29	93210-86M38-00	..O-RING	1	
30	6E5-44315-A0-00	..GASKET, WATER PUMP	1	
31	93101-28M16-00	..OIL SEAL	2	
32	93210-55M14-00	..O-RING	1	
33	93210-86M39-00	..O-RING	1	
34	93101-30M17-00	..OIL SEAL	2	
35	6N6-W0078-02-00	WATER PUMP REPAIR KIT	1	
36	61A-44322-02-00	..INSERT, CARTRIDGE	1	
37	93210-86M38-00	..O-RING	1	
38	93210-37160-00	..O-RING	1	
39	6E5-44352-01-00	..IMPELLER	1	
40	6E5-44323-00-00	..OUTER PLATE, CARTRIDGE	1	

CONTINUED ON NEXT FRAME >



REPAIR KIT 2

Ref No.	Part Number	Description	Qty	Remarks
41	6E5-44315-A0-00	. .GASKET, WATER PUMP	1	
42	93606-12019-00	. .PIN, DOWEL	2	
43	90119-08M14-00	. .BOLT, WITH WASHER	4	
44	90280-04M05-00	. .KEY, WOODRUFF	1	
45	6E5-W0078-3A-00	CHROME PUMP KIT	1	
46	6R3-44322-42-00	. .INSERT, CARTRIDGE	1	
47	6E5-44323-40-00	. .OUTER PLATE, CARTRIDGE	1	