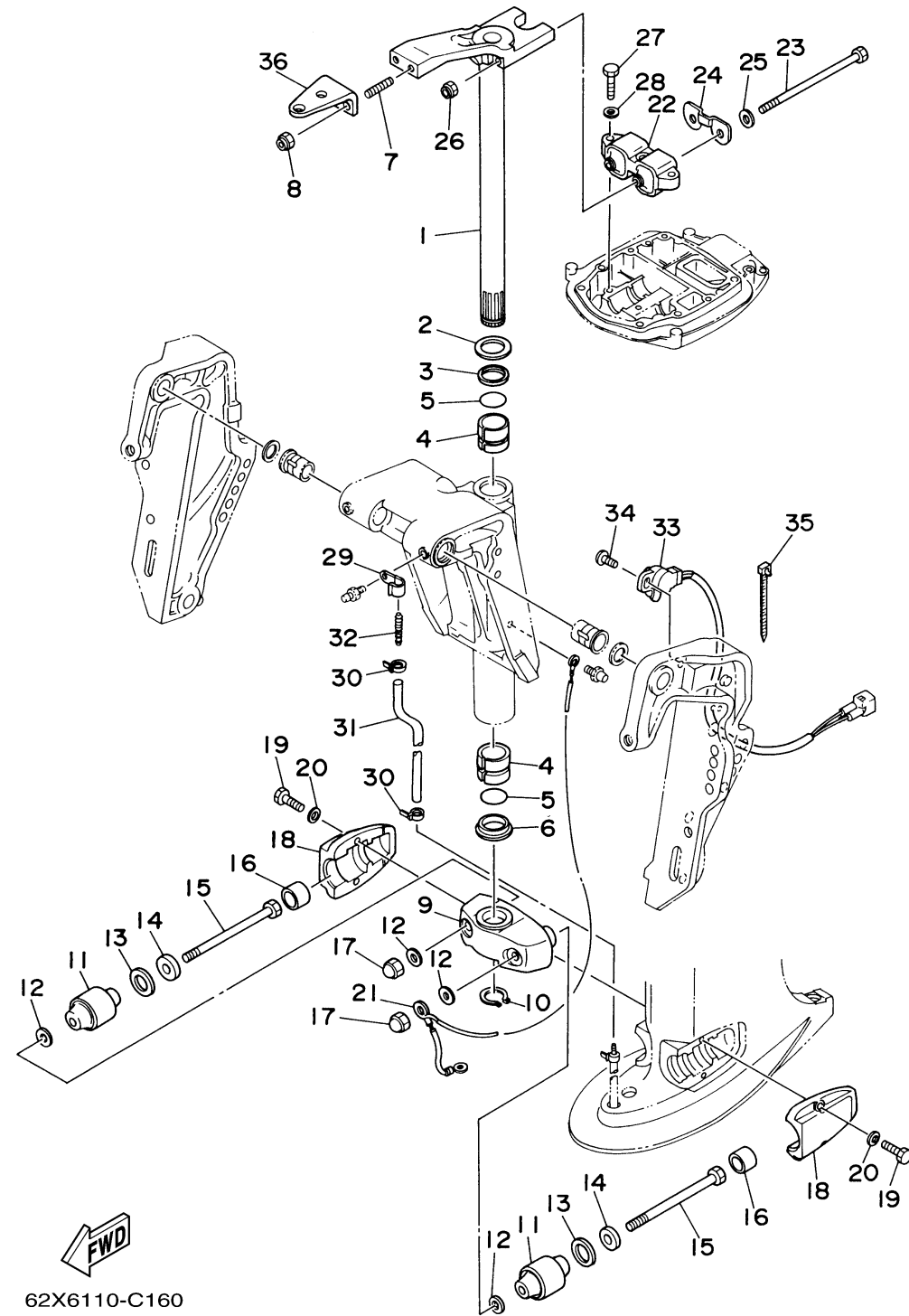


BRACKET 2



Ref No.	Part Number	Description	Qty	Remarks
1	63D-42510-12-4D	STEERING BRACKET ASSY	1	L
2	90201-30M00-00	WASHER, PLATE	1	
3	90386-30M78-00	BUSH	1	
4	90386-30M77-00	BUSH	2	
5	93210-29M94-00	O-RING	2	
6	90386-30M60-00	BUSH	1	
7	90116-10175-00	BOLT, STUD	2	
8	90185-10051-00	NUT, SELF-LOCKING	2	
9	63D-44551-01-4D	HOUSING, LOWER MOUNT RUBBER	1	
10	93410-28M06-00	CIRCLIP	1	
11	63D-44555-00-94	MOUNT DAMPER, LOWER SIDE	2	L
12	90201-12M16-00	WASHER, PLATE	4	
13	90202-25M04-00	WASHER, PLATE	2	
14	90201-13M19-00	WASHER, PLATE	2	
15	90109-12M21-00	BOLT	2	
16	663-44575-00-00	DAMPER, LOWER MOUNT RUBBER	2	
17	95380-12800-00	NUT, CROWN	2	
18	63D-44552-01-4D	HOUSING, LOWER MOUNT RUBBER 2	2	
19	97075-08030-00	BOLT	4	
20	92995-08100-00	WASHER	4	

CONTINUED ON NEXT FRAME >

BRACKET 2

Ref No.	Part Number	Description	Qty	Remarks
21	63D-82127-10-00	WIRE, LEAD 2	1	L
22	63D-44514-01-94	MOUNT DAMPER, UPPER SIDE	1	
23	90101-08M15-00	BOLT	2	
24	63D-44526-00-00	PLATE	1	
25	90201-09425-00	WASHER, PLATE	2	
26	90185-08045-00	NUT, SELF-LOCKING	2	
27	97075-08030-00	BOLT	3	
28	92995-08100-00	WASHER	3	
29	90465-06M86-00	CLAMP	1	
30	90465-11M10-00	CLAMP	2	
31	90445-07MF1-00	HOSE (L570)	1	
32	6E5-83558-00-00	END, NIPPLE	1	
33	63D-83672-10-00	TRIM SENDER	1	
34	97885-06016-00	SCREW, PAN HEAD	2	
35	90465-13M11-00	CLAMP	1	
36	63D-48511-00-4D	HOOK, STEERING	1	STEERING GUIDE

