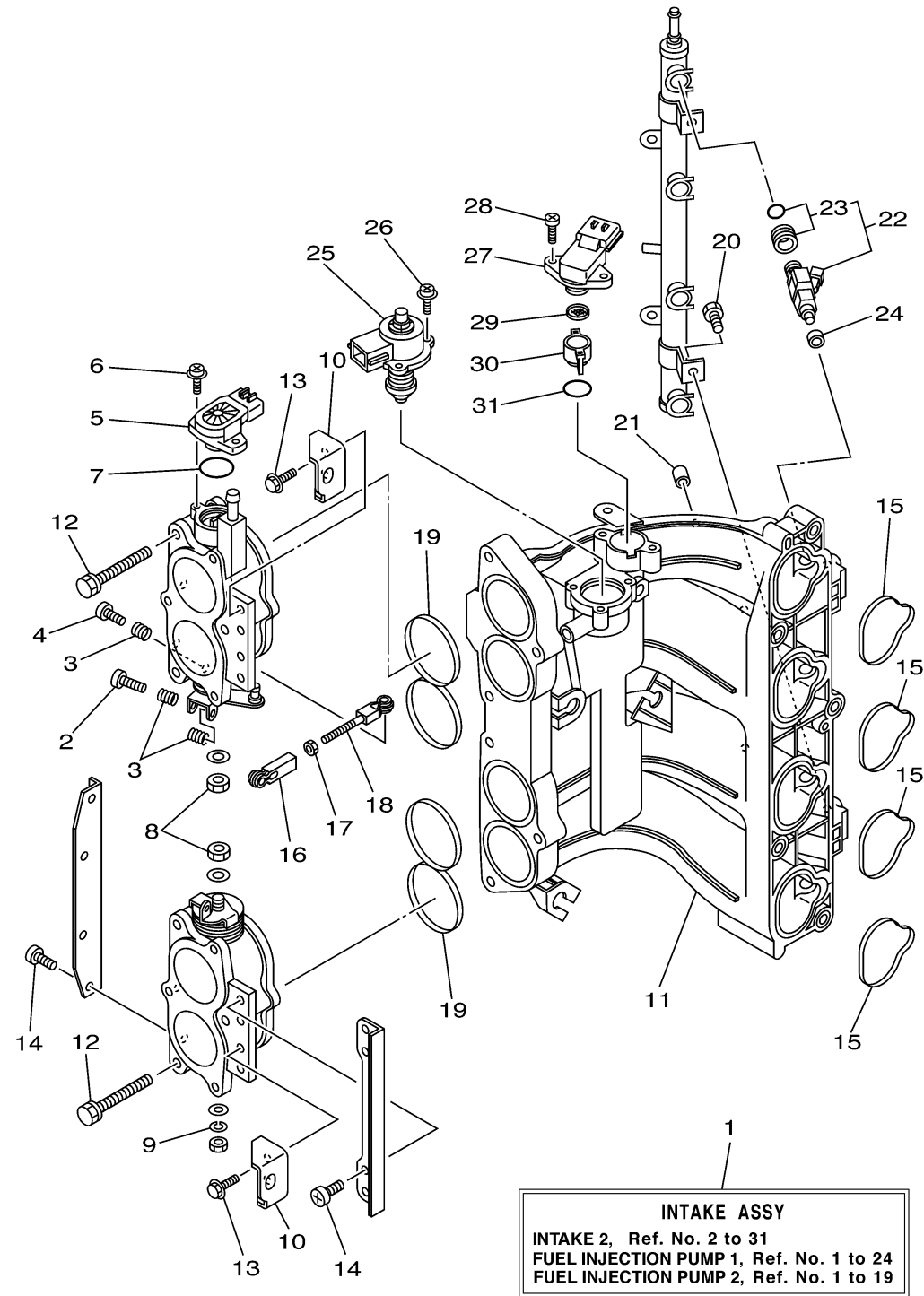


INTAKE 2



Ref No.	Part Number	Description	Qty	Remarks
1	63P-14200-00-00	INTAKE ASSY	1	
2	69J-14321-00-00	.SCREW, THROTTLE	1	
3	68V-14331-00-00	.SPRING, THROTTLE VALVE	3	
4	68V-14323-00-00	.SCREW, AIR ADJUSTING	1	
5	69J-85885-00-00	.THROTTLE SENSOR ASSY	1	
6	68V-81145-01-00	.SCREW 1	2	
7	68V-8182L-00-00	.O-RING 1	1	
8	3CF-14594-00-00	.NUT	2	
9	68V-14356-00-00	.WASHER, SPRING	1	
10	63P-14291-00-00	BRACKET 1	2	
11	63P-13641-00-00	MANIFOLD, INTAKE 1	1	
12	63P-14496-00-00	BOLT	6	
13	97595-06516-00	.BOLT, WITH WASHER	4	
14	68V-14565-00-00	.SCREW	8	
15	63P-13645-00-00	GASKET, MANIFOLD 1	4	
16	6H4-41237-00-00	.JOINT, LINK	1	
17	95380-05700-00	.NUT	1	
18	682-41238-01-00	.JOINT, LINK	1	
19	63P-13557-00-00	GASKET	2	
20	63P-14446-00-00	BOLT	2	

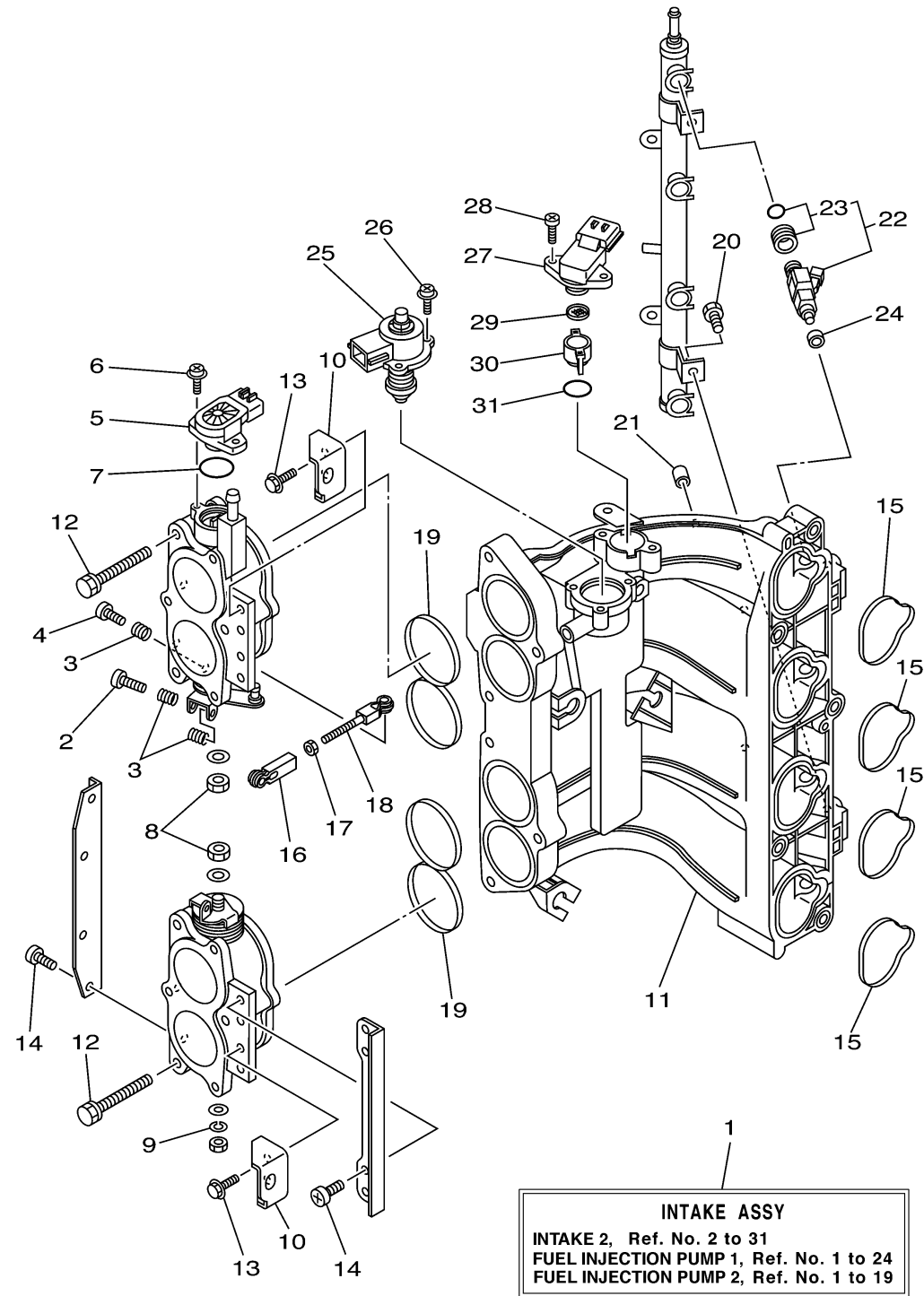
CONTINUED ON NEXT FRAME >



63P1100-C080

INTAKE 2

Ref No.	Part Number	Description	Qty	Remarks
21	63P-13643-00-00	.COVER, MANIFOLD	4	
22	63P-13761-00-00	INJECTOR	4	
23	68V-1410B-00-00	.PACKING KIT	1	
24	68V-13766-00-00	RUBBER, INJECTOR	4	
25	63P-1312A-00-00	VALVE, CONTROL	1	
26	68V-81146-01-00	SCREW 2	3	
27	63P-82380-00-00	SENSOR, PRESSURE	1	
28	68V-81147-00-00	.SCREW 3	2	
29	63P-13905-00-00	FILTER COMP.	1	
30	63P-13898-00-00	HOLDER	1	
31	63P-13769-00-00	O-RING	1	



63P1100-C080