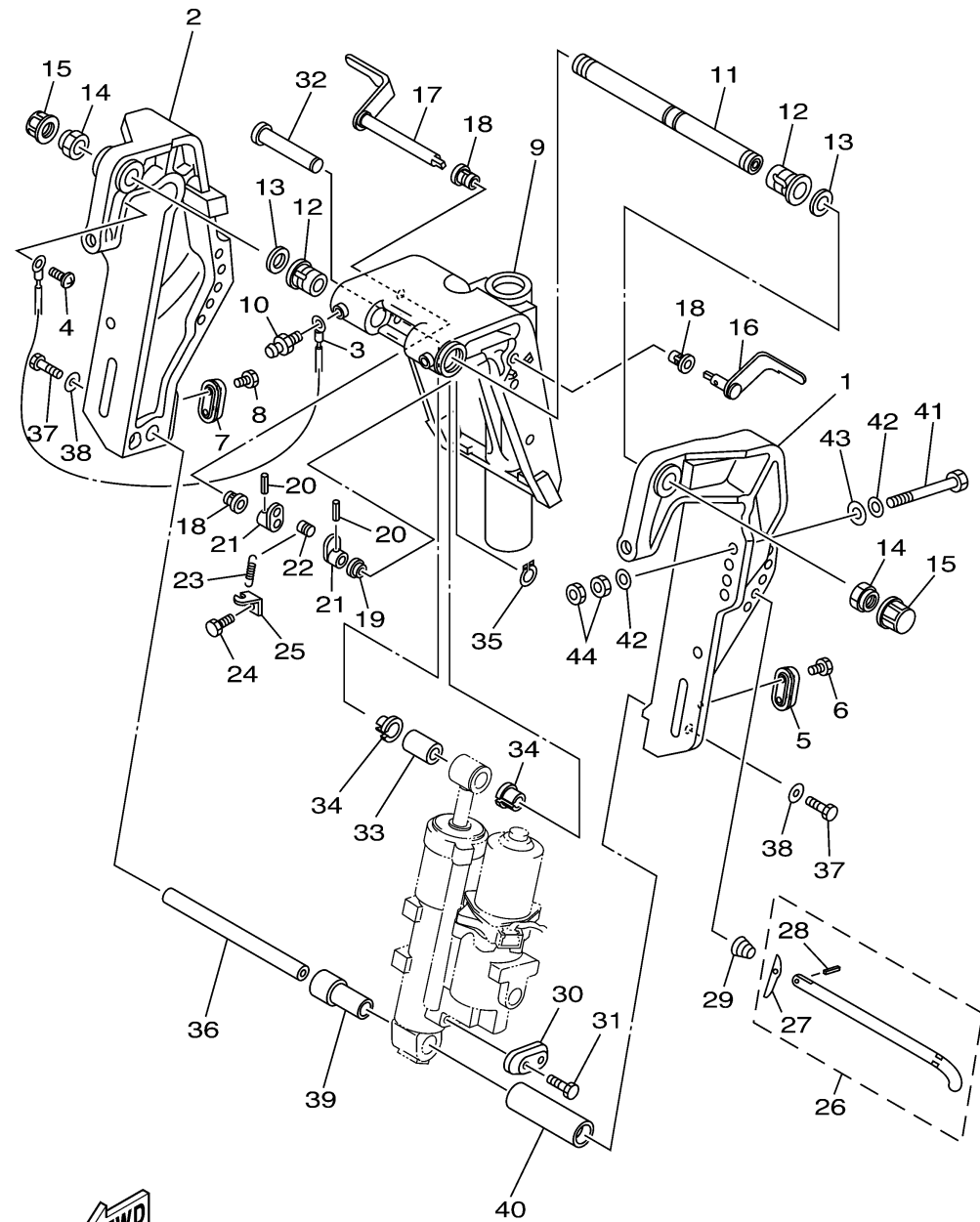


69W1010-2190

# BRACKET 1

Ref No.	Part Number	Description	Qty	Remarks
1	69W-43111-00-4D	BRACKET, CLAMP	1	
2	69W-43112-00-4D	BRACKET, CLAMP	1	
3	63D-82148-00-00	WIRE, LEAD 4	1	
4	97885-06008-00	SCREW, PAN HEAD	1	
5	65W-45251-00-00	ANODE	1	
6	90101-06020-00	BOLT	2	
7	65W-45251-00-00	ANODE	1	
8	90101-06020-00	BOLT	2	
9	63D-43311-13-4D	BRACKET, SWIVEL 1	1	
10	93700-06M03-00	NIPPLE, GREASE	3	
11	63D-43131-01-00	BOLT, CLAMP BRACKET	1	
12	90386-22M15-00	BUSH	2	
13	90201-22M03-00	WASHER, PLATE	2	
14	90185-22M11-00	NUT, SELF-LOCKING	2	
15	6G5-43145-01-00	CAP, CLAMP BRACKET	2	
16	6H5-43181-03-00	LEVER, TILT STOP	1	
17	6H5-43185-03-00	LEVER, TILT STOP	1	
18	90386-10M16-00	BUSH	3	
19	90386-10025-00	.BUSH	1	
20	91690-30020-00	PIN, SPRING	2	

CONTINUED ON NEXT FRAME >



69W1010-2190

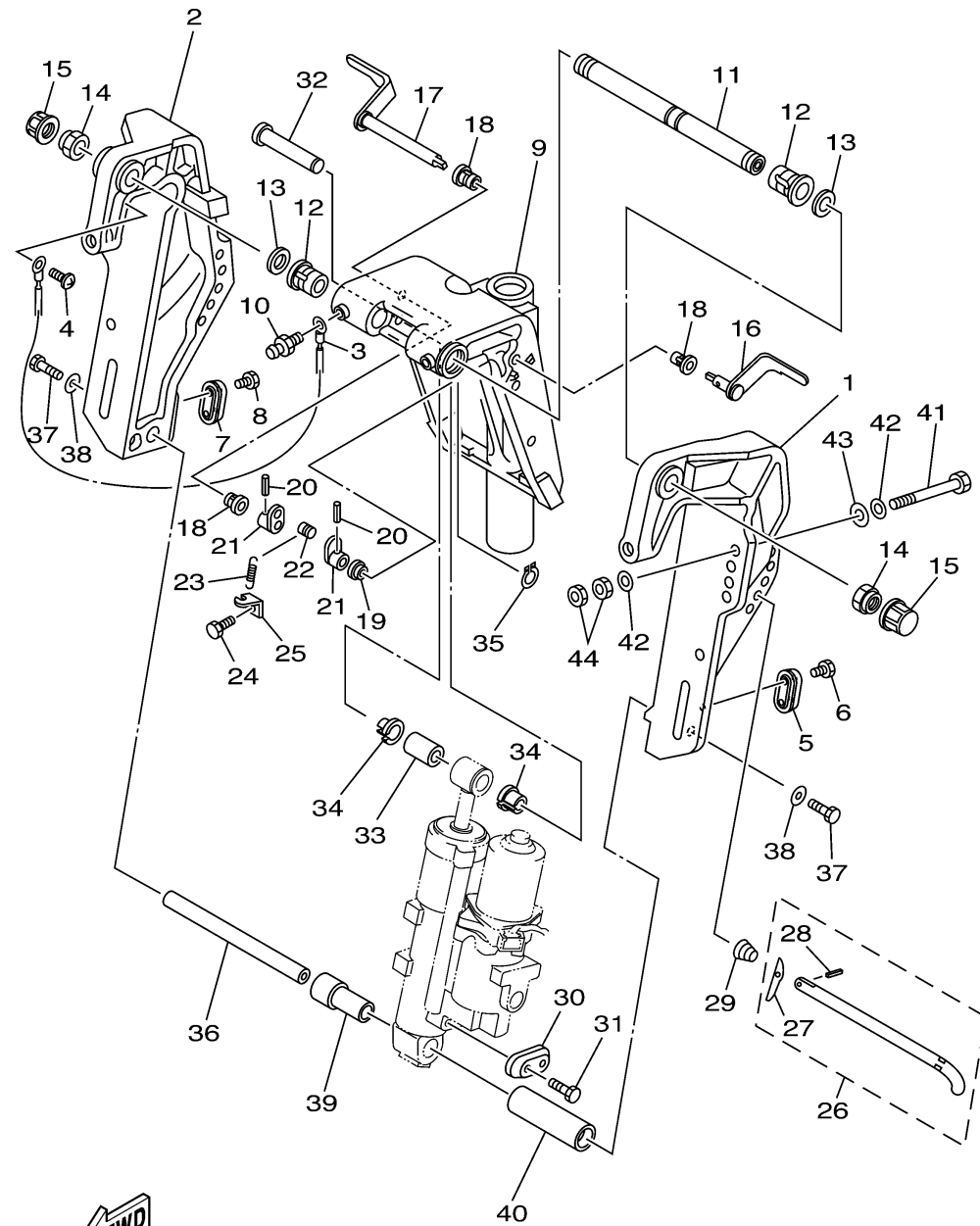
# BRACKET 1

Ref No.	Part Number	Description	Qty	Remarks
21	6G5-43148-00-00	COLLAR, DISTANCE	2	
22	90249-06M19-00	PIN	1	
23	90506-14M24-00	SPRING, TENSION	1	
24	97095-06010-00	BOLT	1	
25	6G5-43144-00-00	HOOK, SPRING	1	
26	688-43160-01-00	TILT ROD ASSY	1	
27	688-43165-00-00	. .PLATE, TILT LOCK	1	
28	91690-30012-00	. .PIN, SPRING	1	
29	90502-16M02-00	SPRING, CONICAL	1	
30	65W-45251-00-00	ANODE	1	
31	90101-06020-00	BOLT	2	
32	6E5-43126-02-00	PIN, UPPER SHOCK MOUNT	1	
33	90386-18M92-00	BUSH	1	
34	90386-18M35-00	BUSH	2	
35	93410-18M02-00	CIRCLIP	1	
36	62Y-43818-00-00	PIN, LOWER SHOCK MOUNT	1	
37	97080-08016-00	BOLT	2	
38	90201-08M04-00	WASHER, PLATE	2	
39	90387-18002-00	COLLAR	1	
40	90387-18003-00	COLLAR	1	

CONTINUED ON NEXT FRAME >

# BRACKET 1

Ref No.	Part Number	Description	Qty	Remarks
41	90101-12M65-00	BOLT	4	
42	92995-12200-00	WASHER	8	
43	90201-12426-00	WASHER, PLATE	4	
44	95380-12600-00	NUT	8	



69W1010-2190