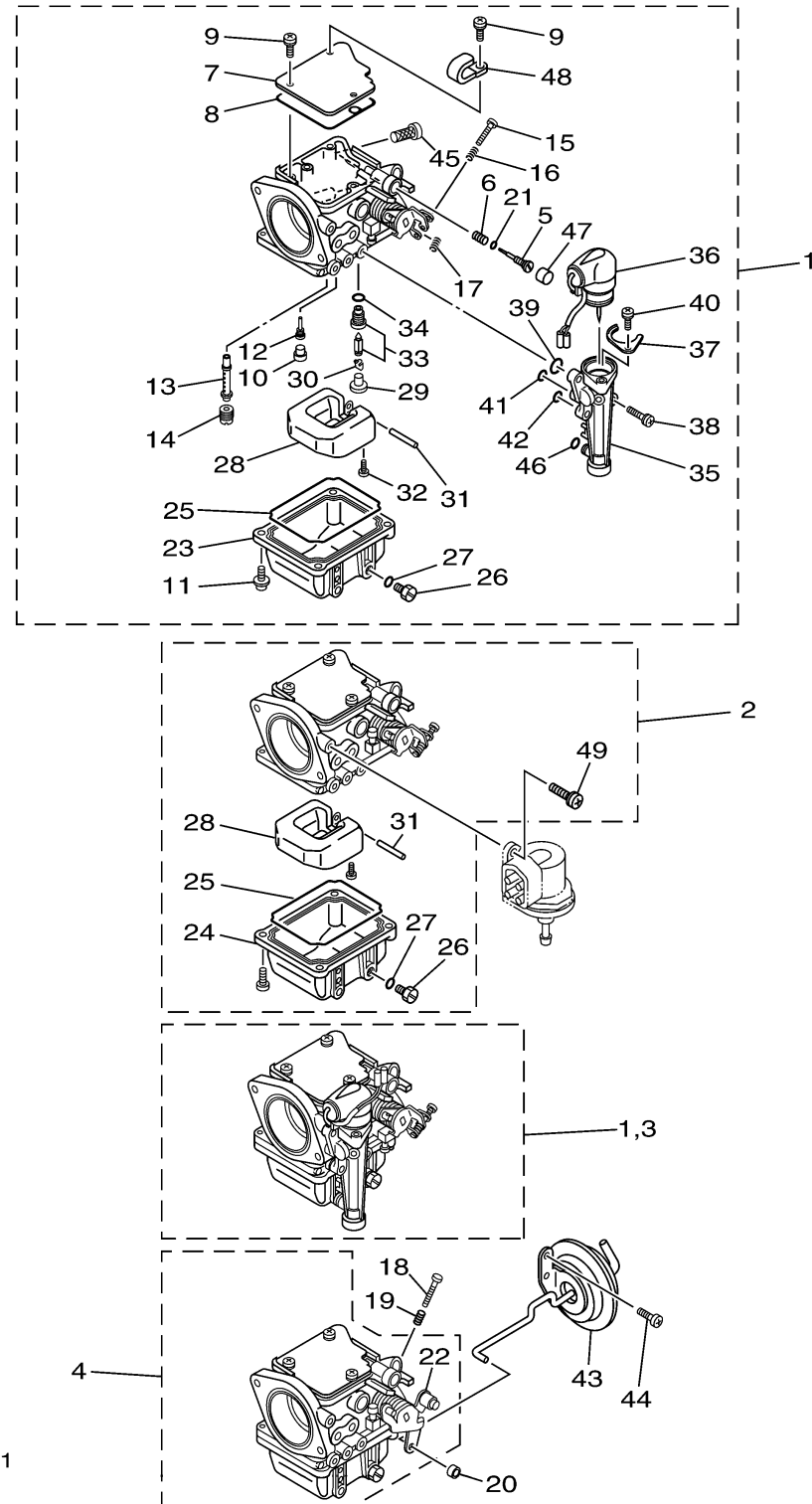


# CARBURETOR 1

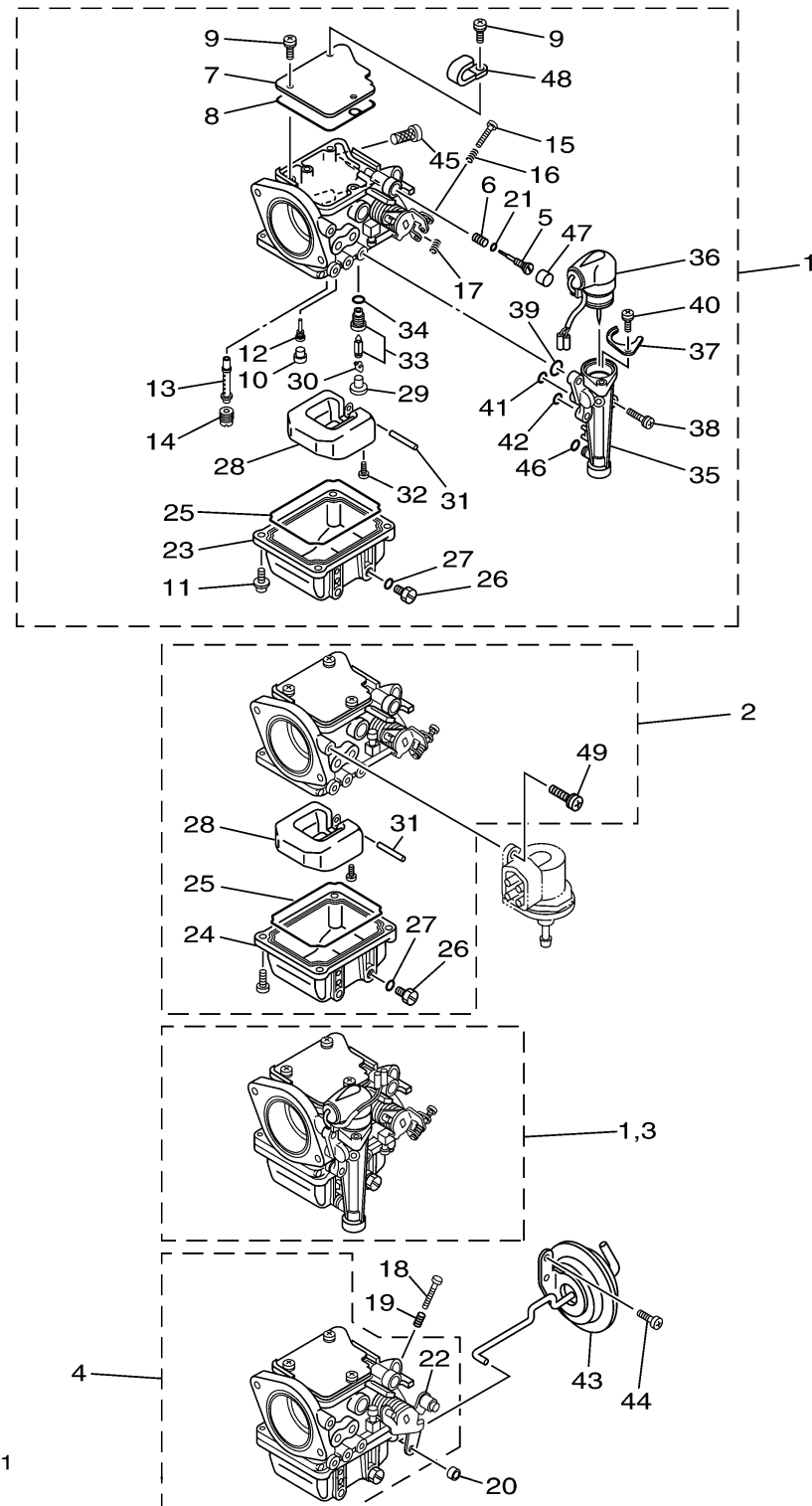


Ref No.	Part Number	Description	Qty	Remarks
1	67F-14901-31-00	CARBURETOR ASSY 1	1	UR F90-#1
1	67G-14901-41-00	CARBURETOR ASSY 1	1	UR F75-#1
2	67G-14902-41-00	CARBURETOR ASSY 2	1	UR F75-#2
2	67F-14902-31-00	CARBURETOR ASSY 2	1	UR F90-#2
3	67F-14903-31-00	CARBURETOR ASSY 3	1	UR F90-#3
3	67G-14901-41-00	CARBURETOR ASSY 1	1	UR F75-#3
4	67F-14904-31-00	CARBURETOR ASSY 4	1	UR F90-#4
4	67G-14904-41-00	CARBURETOR ASSY 4	1	UR F75-#4
5	67F-14923-00-00	. .SCREW, PILOT	4	
6	697-14555-00-00	. .SPRING	4	
7	67F-14146-00-00	. .PLATE	4	
8	67F-14147-00-00	. .O-RING	4	
9	97803-04010-00	. .SCREW, PAN HEAD	12	
10	676-14966-00-00	. .CAP	4	
11	97980-04114-00	. .SCREW, WITH WASHER	16	
12	67G-14948-05-00	. .JET (#45)	4	UR F75
12	67F-1494F-04-00	. .JET (#42)	4	UR F90
13	67G-14947-00-00	. .JET, NEEDLE	4	UR F75
13	67F-14947-10-00	. .JET, NEEDLE	4	UR F90
14	62P-14943-30-00	. .JET, MAIN (#115)	4	UR F75

CONTINUED ON NEXT FRAME >

**FWD**  
67F6100F0701

# CARBURETOR 1

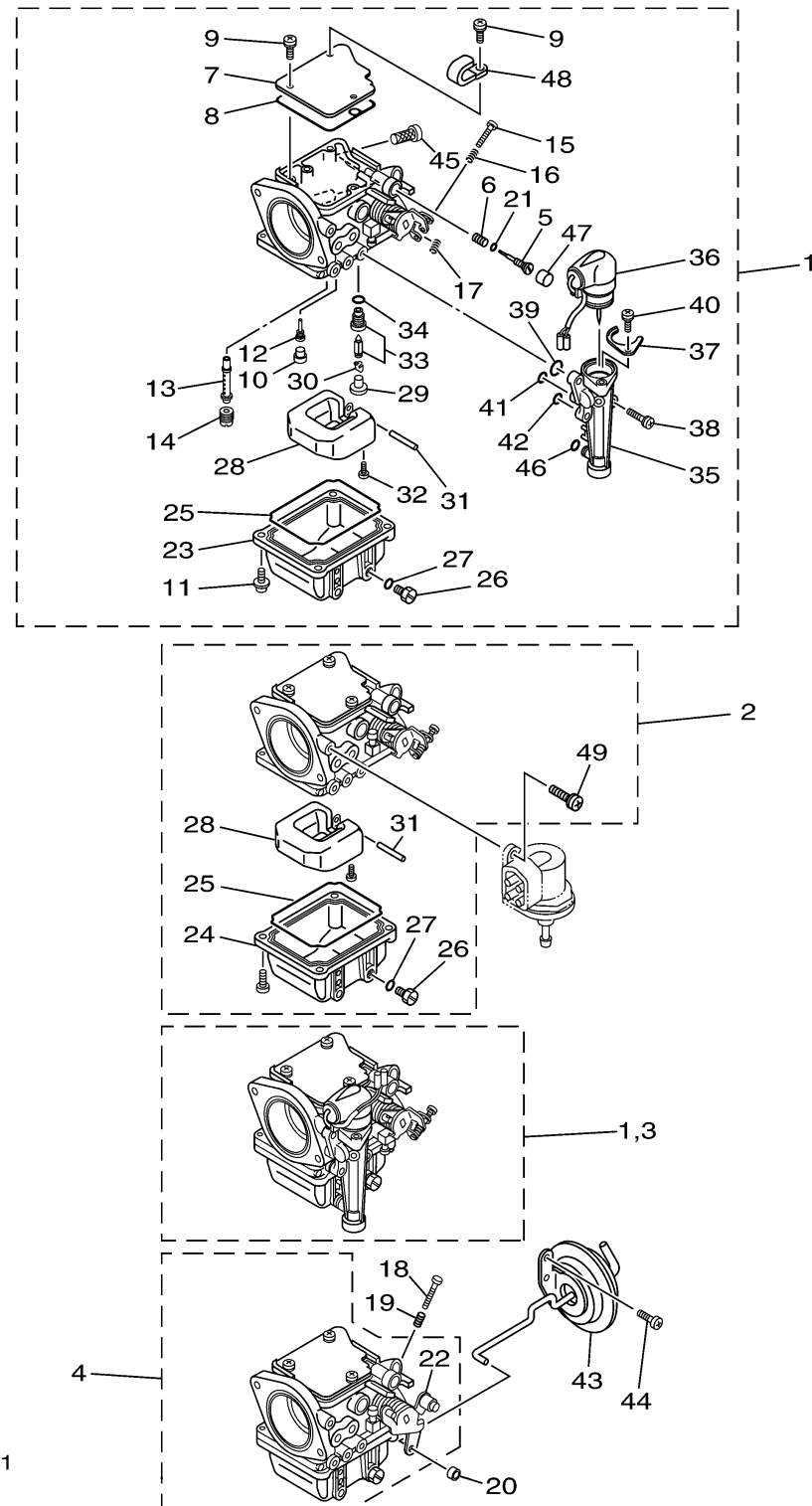


Ref No.	Part Number	Description	Qty	Remarks
14	67F-14943-32-00	. JET, MAIN (#125)	4	UR F90
15	67F-14567-00-00	. . SCREW	3	#1, 2, 3
16	67F-14555-00-00	. . SPRING	3	#1, 2, 3
17	67F-14556-00-00	. . SPRING	3	#1, 2, 3
18	63V-14523-00-00	.SCREW, STOP	1	#4
19	90501-10326-00	.SPRING, COMPRESSION	1	#4
20	67F-14998-00-00	BUSH	1	#4
21	67F-14397-00-00	. .O-RING	4	
22	6H2-14578-00-00	. .COLLAR	1	#4
23	67F-14980-00-00	. . BODY, FLOAT CHAMBER	2	#1, 3
24	67F-14980-10-00	. . BODY, FLOAT CHAMBER	2	#2, 4
25	67F-14984-00-00	. .GASKET, FLOAT CHAMBER	4	
26	6H3-14992-00-00	. .SCREW, DRAIN	4	
27	93210-04230-00	. O-RING	4	
28	6H4-14985-01-00	. .FLOAT	4	
29	676-14186-00-00	. PIN, FLOAT	4	
30	67F-14159-00-00	. .CLIP	4	
31	6H4-14548-00-00	. .PIN, FLOAT ARM	4	
32	98580-04008-00	. .SCREW, PAN HEAD	4	
33	60C-14590-01-00	. .NEEDLE VALVE ASSY	4	

CONTINUED ON NEXT FRAME >

**FWD**  
67F6100F0701

# CARBURETOR 1



Ref No.	Part Number	Description	Qty	Remarks
34	93210-04228-00	. O-RING	4	
35	67F-14378-00-00	.. BODY, STARTER	2	#1, 3
36	67F-14380-01-00	.. PRIME STARTER ASSY	2	#1, 3
37	67F-14178-00-00	.. PLATE, STARTER LEVER	2	#1, 3
38	67F-14592-00-00	.. SCREW	6	#1, 3
39	67F-14398-00-00	.. O-RING	2	#1, 3
40	67F-14565-00-00	.. SCREW	2	#1, 3
41	67F-14398-10-00	.. O-RING	2	#1, 3
42	67F-14398-20-00	.. O-RING	2	#1, 3
43	67F-14369-00-00	DIAPHRAGM ASSY 2	1	#4
44	67F-14325-00-00	SCREW, PAN HEAD	2	#4
45	67F-14371-01-00	..ELEMENT, FILTER	4	
46	67F-14398-30-00	.. O-RING	2	#1, 3
47	67F-14355-00-00	..PLUG	4	
48	67F-14255-00-00	..PLATE	1	F90
49	67F-14567-00-00	.. SCREW	2	F90