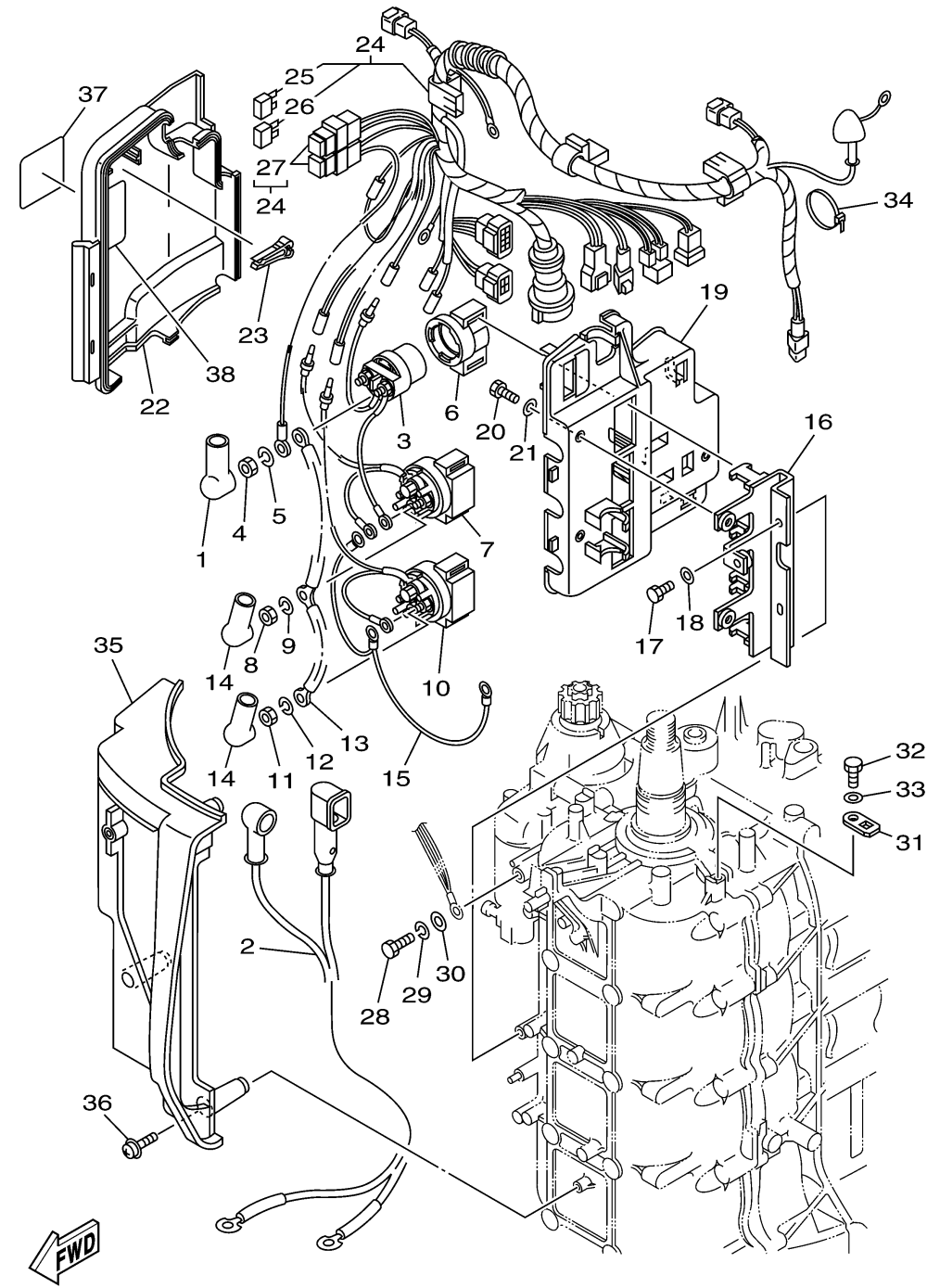


ELECTRICAL 2

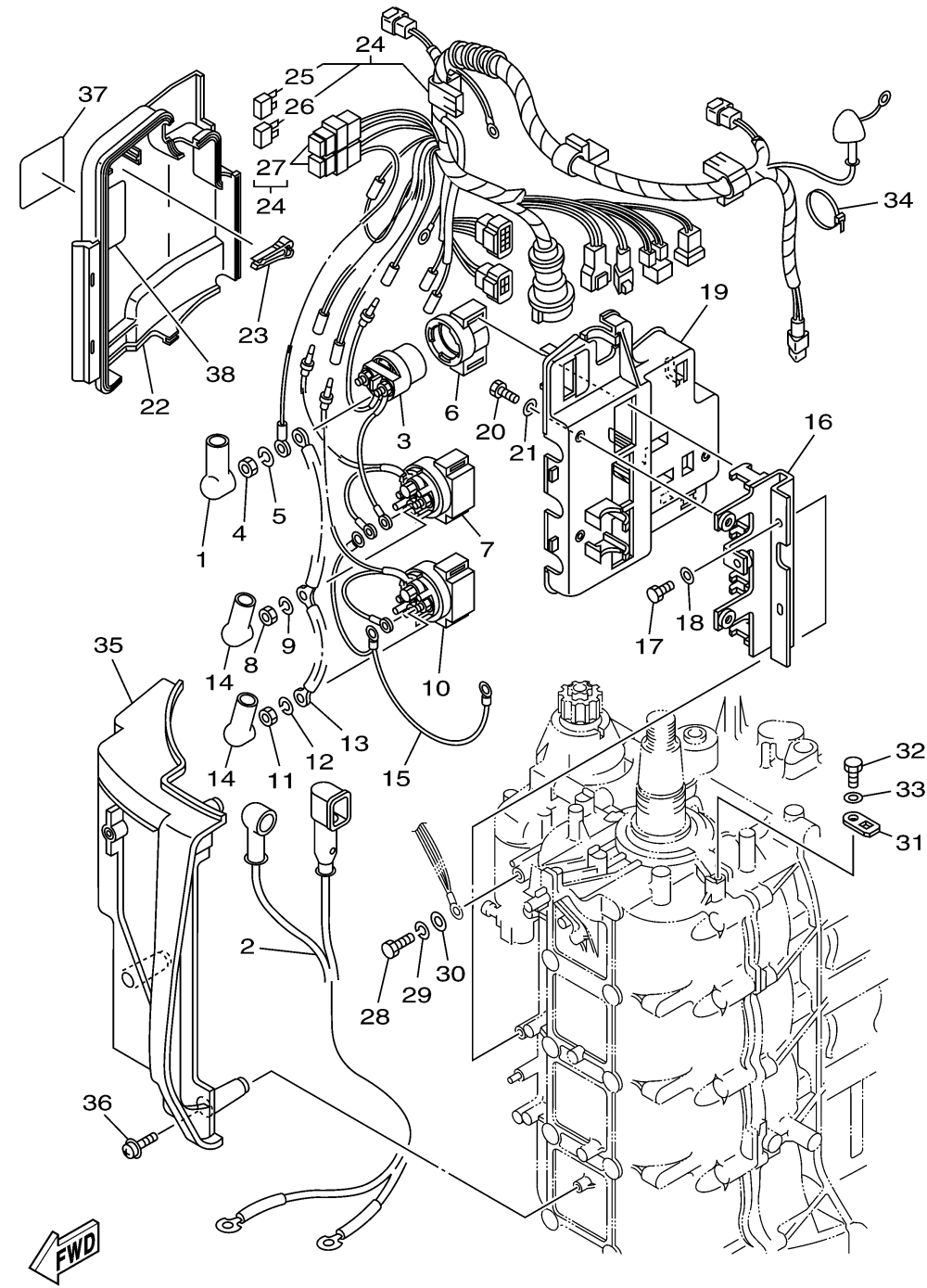


67F3110-C140

Ref No.	Part Number	Description	Qty	Remarks
1	682-82119-01-00	COVER, LEAD WIRE	2	
2	67F-82105-00-00	BATTERY CABLE	1	
3	6G1-8194A-10-00	RELAY	1	
4	90170-06M30-00	NUT	2	
5	90204-06M00-00	WASHER, SPRING	2	
6	6G1-81952-00-00	HOLDER, RELAY	1	
7	6E5-8195B-01-00	RELAY ASSY	1	
8	90170-06M30-00	NUT	3	
9	90204-06M00-00	WASHER, SPRING	3	
10	6E5-8195C-01-00	RELAY ASSY	1	
11	90170-06M30-00	NUT	3	
12	90204-06M00-00	WASHER, SPRING	3	
13	66T-87149-00-00	CONNECTOR	1	
14	6G5-82119-00-00	COVER, LEAD WIRE	2	
15	67F-82116-00-00	WIRE, MINUS LEAD	1	
16	67F-81953-00-00	STAY, RELAY	1	
17	97095-06016-00	BOLT	2	
18	92995-06600-00	WASHER	2	
19	67F-81948-00-00	BRACKET	1	
20	97095-06016-00	BOLT	3	

CONTINUED ON NEXT FRAME >

ELECTRICAL 2



67F3110-C140

Ref No.	Part Number	Description	Qty	Remarks
21	92995-06600-00	WASHER	3	
22	67F-81942-00-00	COVER	1	
23	67F-2812A-00-00	.PULLER, FUSE	1	
24	67F-82590-10-00	WIRE HARNESS ASSY	1	
25	67F-82151-00-00	. .FUSE (20A)	2	
26	67F-82151-10-00	. .FUSE (30A)	2	
27	67F-8215B-00-00	. .CAP (BLACK)	2	
28	97095-06020-00	BOLT	1	
29	92995-06100-00	WASHER, SPRING	1	
30	92995-06600-00	WASHER	1	
31	67F-82588-00-00	PLATE	3	
32	97095-06012-00	.BOLT	3	
33	92995-06600-00	WASHER	3	
34	90465-13M11-00	CLAMP	1	
35	67F-81916-01-00	COVER, TERMINAL	1	
36	90159-06M29-00	SCREW, WITH WASHER	3	
37	67F-83626-00-00	MARK 6	1	
38	67F-81919-00-00	GRAPHIC, REGULATOR	1	