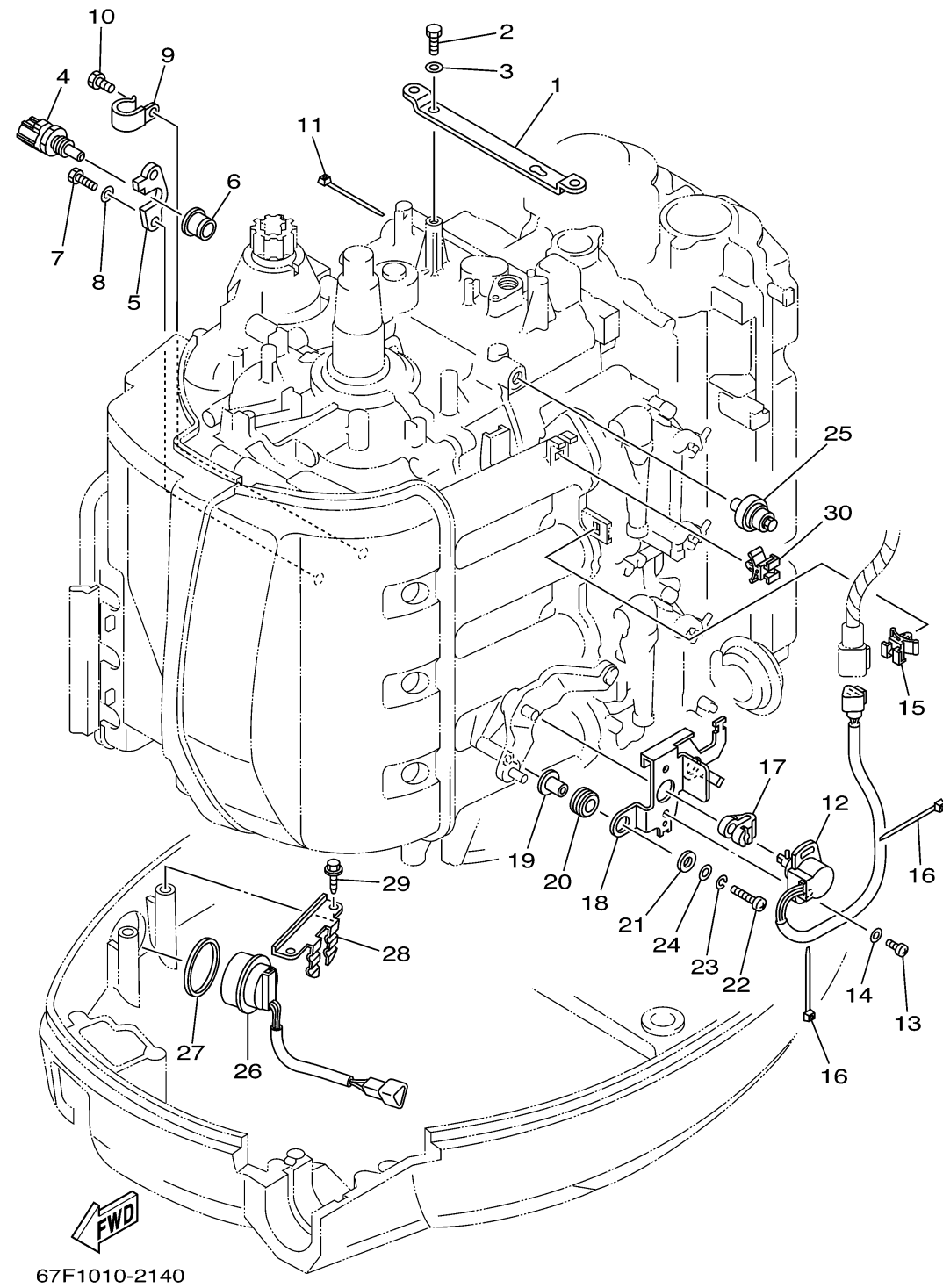


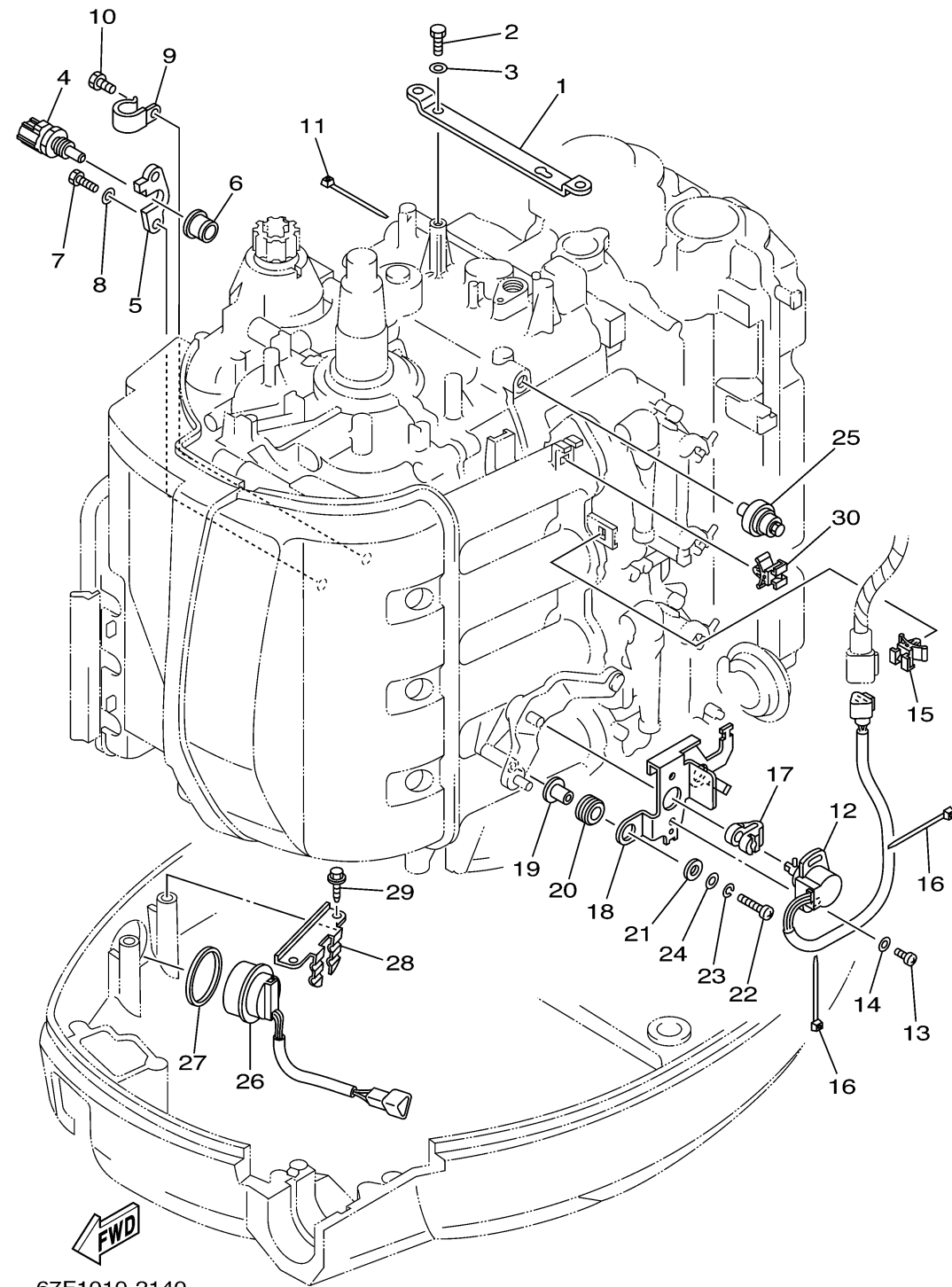
# ELECTRICAL 3



| Ref No. | Part Number     | Description          | Qty | Remarks |
|---------|-----------------|----------------------|-----|---------|
| 1       | 67F-8132G-01-00 | PLATE                | 1   |         |
| 2       | 97095-06016-00  | BOLT                 | 2   |         |
| 3       | 92995-06600-00  | WASHER               | 2   |         |
| 4       | 67F-85790-00-00 | THERMOSENSOR ASSY    | 1   |         |
| 5       | 67F-85757-00-00 | RETAINER             | 1   |         |
| 6       | 68V-85753-00-00 | .GASKET, SENDER UNIT | 1   |         |
| 7       | 97095-06016-00  | BOLT                 | 2   |         |
| 8       | 92995-06600-00  | WASHER               | 2   |         |
| 9       | 90465-06M86-00  | .CLAMP               | 1   |         |
| 10      | 97095-06010-00  | BOLT                 | 1   |         |
| 11      | 90465-11M10-00  | .CLAMP               | 1   |         |
| 12      | 61A-85885-00-00 | THROTTLE SENSOR ASSY | 1   |         |
| 13      | 97885-05010-00  | .SCREW, PAN HEAD     | 2   |         |
| 14      | 92995-05600-00  | .WASHER              | 2   |         |
| 15      | 90464-09M47-00  | CLAMP                | 1   |         |
| 16      | 90465-11M10-00  | .CLAMP               | 2   |         |
| 17      | 6K7-14573-00-00 | LEVER                | 1   |         |
| 18      | 67F-83635-00-00 | BRACKET              | 1   |         |
| 19      | 90387-05M00-00  | COLLAR               | 2   |         |
| 20      | 90480-10M23-00  | GROMMET              | 2   |         |

CONTINUED ON NEXT FRAME >

## ELECTRICAL 3



| Ref No. | Part Number     | Description              | Qty | Remarks |
|---------|-----------------|--------------------------|-----|---------|
| 21      | 90201-05M03-00  | WASHER, PLATE            | 2   |         |
| 22      | 97885-05025-00  | SCREW, PAN HEAD          | 2   |         |
| 23      | 92995-05100-00  | WASHER                   | 2   |         |
| 24      | 92995-05600-00  | .WASHER                  | 2   |         |
| 25      | 68V-82504-00-00 | OIL PRESSURE SWITCH ASSY | 1   |         |
| 26      | 63D-82563-10-00 | TRIM & TILT SWITCH ASSY  | 1   |         |
| 27      | 6E5-82587-00-00 | GASKET                   | 1   |         |
| 28      | 67F-83614-00-00 | BRACKET                  | 1   |         |
| 29      | 90109-06M86-00  | .BOLT                    | 2   |         |
| 30      | 90464-09M47-00  | CLAMP                    | 1   |         |