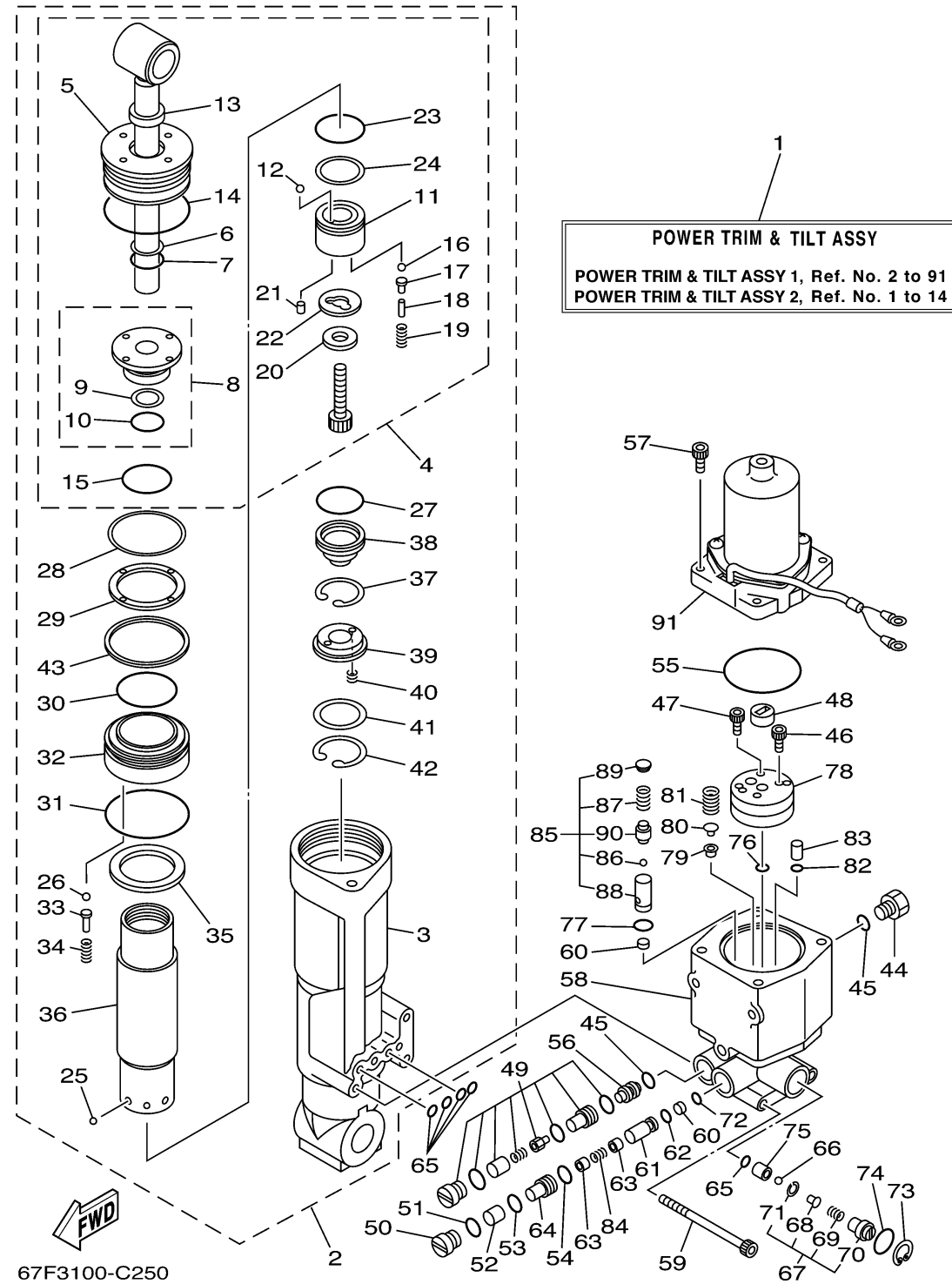


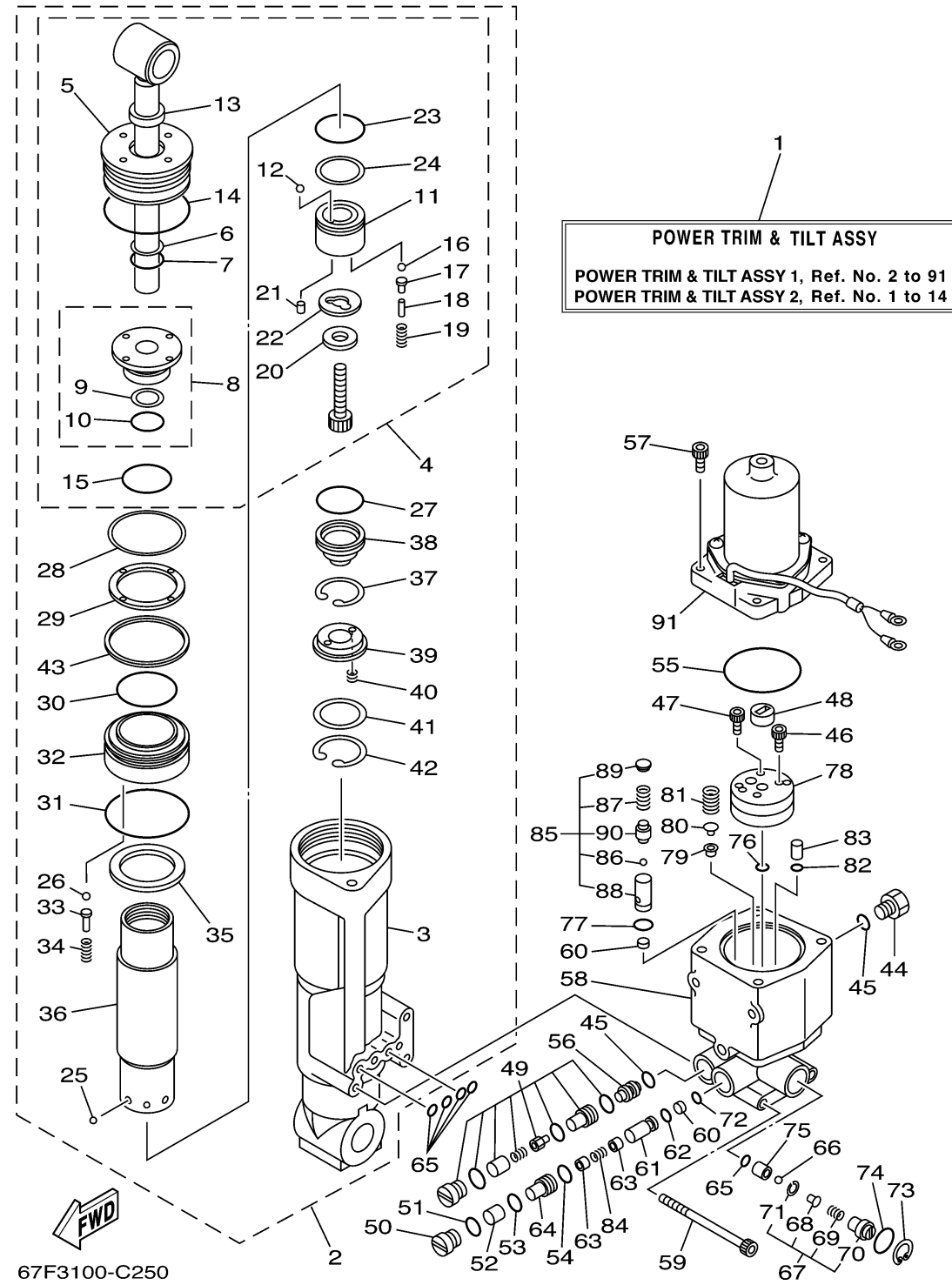
POWER TRIM TILT ASSY 1



Ref No.	Part Number	Description	Qty	Remarks
1	67F-43800-03-4D	POWER TRIM & TILT ASSY	1	
2	67F-43840-02-00	POWER TILT ASSY	1	
3	67F-4380K-00-00	. .CYLINDER, TILT SUB ASSY	1	
4	67F-43810-01-00	. TILT PISTON SUB ASSY	1	
5	67F-43821-00-00	. . .SCREW, TRIM CYLINDER END	1	
6	6H1-43872-10-00	. . RING, BACK UP	1	
7	93210-18397-00	. . O-RING	1	
8	67F-4380R-00-00	. . .CYLINDER END SUB ASSY	1	
9	6H1-43872-10-00	. . . RING, BACK UP	1	
10	93210-18397-00	. . . O-RING	1	
11	67F-4385A-01-00	. . .PISTON, TILT	1	
12	93501-08001-00	. . .BALL	1	
13	6H1-43812-00-00	. . .SEAL, DUST	1	
14	67F-43861-00-00	. . .O-RING	1	
15	62X-43862-00-00	. . .O-RING	1	
16	93501-08001-00	. . .BALL	2	
17	65W-4386A-00-00	. . .PIN, ABSORBER VALVE	2	
18	688-4386F-00-00	. . .PIN, STRAIGHT	2	
19	65W-43853-00-00	. . .SPRING, MAIN VALVE	2	
20	67F-43893-00-00	. . .WASHER	1	

CONTINUED ON NEXT FRAME >

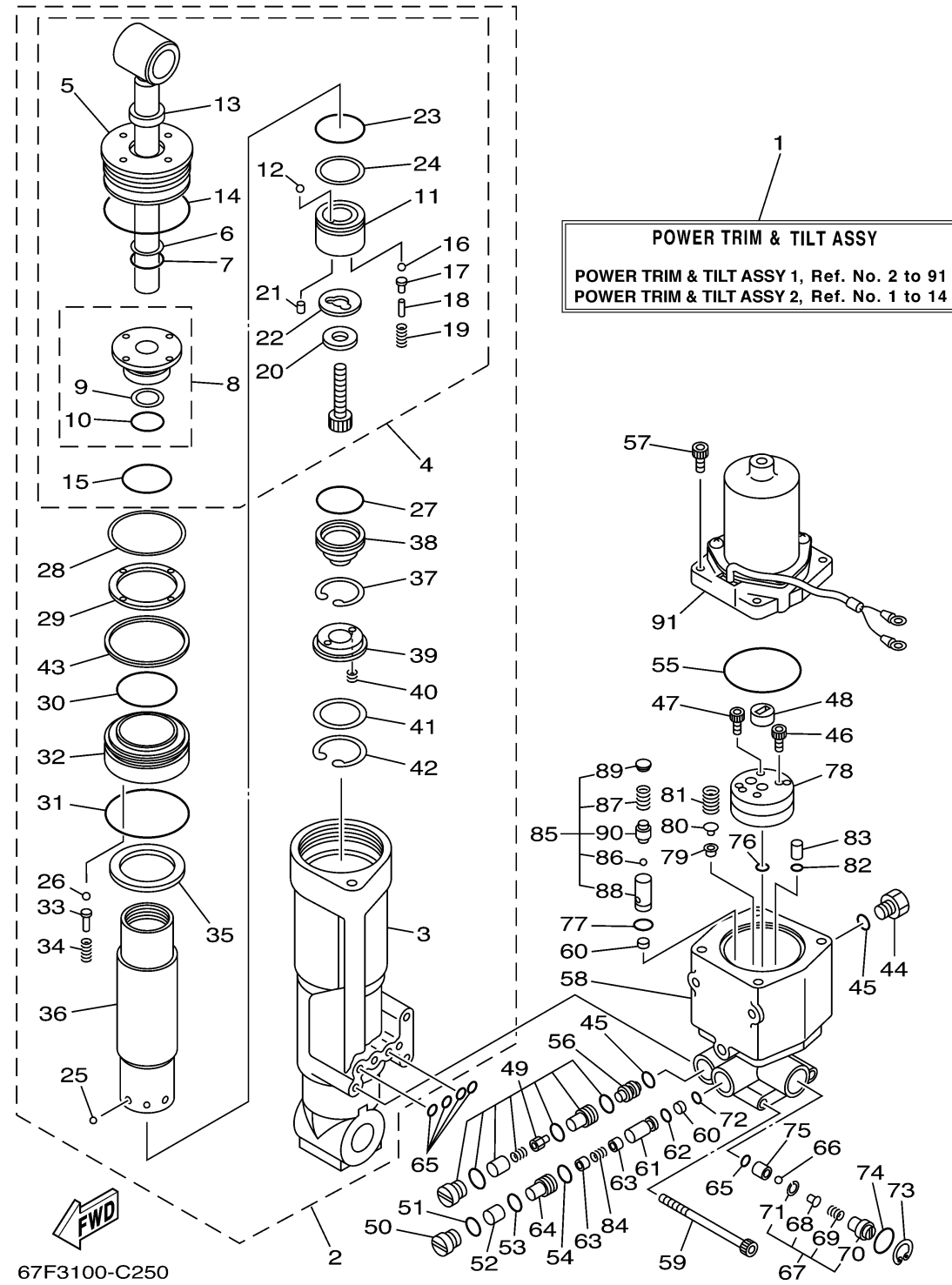
POWER TRIM TILT ASSY 1



Ref No.	Part Number	Description	Qty	Remarks
21	93602-07244-00	. . .PIN, DOWEL	2	
22	67F-22435-00-00	. . .PLATE, VALVE 2	1	
23	93210-29375-00	. . .O-RING	1	
24	62X-43871-00-00	. . .RING, BACK UP	1	
25	93503-16003-00	. BALL	6	
26	93501-08001-00	. .BALL	5	
27	67F-43863-00-00	. O-RING	1	
28	67F-43899-00-00	. PLATE STOPPER	1	
29	67F-43816-00-00	. FILTER 1	1	
30	67F-43862-00-00	. O-RING	1	
31	62X-43865-00-00	. O-RING	1	
32	67F-4388A-00-00	. PISTON, TRIM	1	
33	6T4-4386A-00-00	. PIN, ABSORBER VALVE	5	
34	67F-43857-00-00	. SPRING, ABSORBER VALVE	5	
35	67F-4381J-00-00	. PLATE	1	
36	67F-22471-01-00	. CYLINDER, SHOCK ABSORBER	1	
37	67F-43875-00-00	. RING, SNAP	1	
38	67F-4381B-00-00	. FREE PISTON SUB ASSY	1	
39	62X-43899-00-00	. PLATE STOPPER	1	
40	62X-4384H-00-00	. SPRING	2	

CONTINUED ON NEXT FRAME >

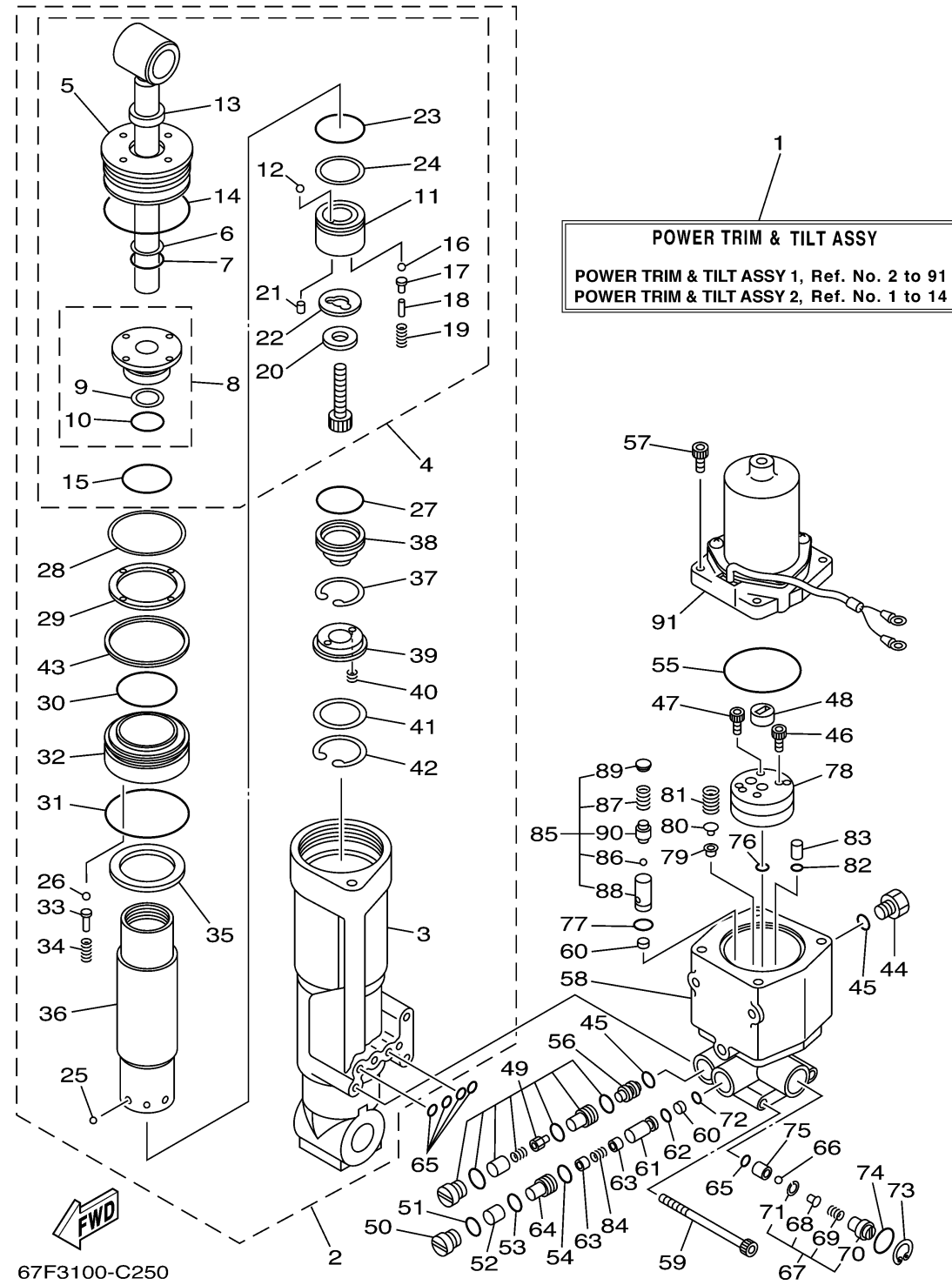
POWER TRIM TILT ASSY 1



Ref No.	Part Number	Description	Qty	Remarks
41	1UF-22434-00-00	. PLATE, VALVE 1	1	
42	62X-43875-00-00	. RING, SNAP	1	
43	67F-43871-00-00	. RING, BACK UP	1	
44	6H1-43829-00-00	PLUG, RESERVOIR	1	
45	93210-09165-00	O-RING	2	
46	91318-06035-00	BOLT	3	
47	91318-06020-00	BOLT	1	
48	6H1-43831-10-00	CONNECTOR, SHAFT	1	
49	67F-43802-00-00	.VALVE SUB ASSY	2	
50	67F-4382F-00-00	ADAPTOR 3	1	
51	6H1-43866-00-00	..O-RING	1	
52	67F-43817-00-00	FILTER 2	1	
53	93210-10M74-00	O-RING	1	
54	6H1-43867-00-00	..O-RING	1	
55	62X-43865-00-00	O-RING	1	
56	62X-43841-00-00	.PISTON, SHUTTLE	1	
57	65W-43888-00-00	BOLT, SOCKET	4	
58	67F-43825-03-00	HOUSING, TRIM & TILT	1	
59	62X-43878-00-00	.BOLT, SOCKET	3	
60	6H1-43816-00-00	FILTER 1	2	

CONTINUED ON NEXT FRAME >

POWER TRIM TILT ASSY 1



Ref No.	Part Number	Description	Qty	Remarks
81	6H1-43856-10-00	.SPRING, DOWN RELIEF	1	
82	65W-43861-00-00	O-RING	2	
83	65W-43817-00-00	.FILTER 2	2	
84	67F-4385H-00-00	SPRING, SEAL	1	
85	67F-43850-00-00	VALVE SUB ASSY	1	
86	93501-08001-00	. .BALL	1	
87	6H1-43856-10-00	. .SPRING, DOWN RELIEF	1	
88	67F-43895-00-00	. .SEAT, RELIEF VALVE	1	
89	67F-43843-00-00	. .SCREW, VALVE LOCK	1	
90	67F-4386A-00-00	. .PIN, ABSORBER VALVE	1	
91	67F-43880-00-00	MOTOR ASSY	1	REFER TO POWER TRIM & TILT ASSY 2