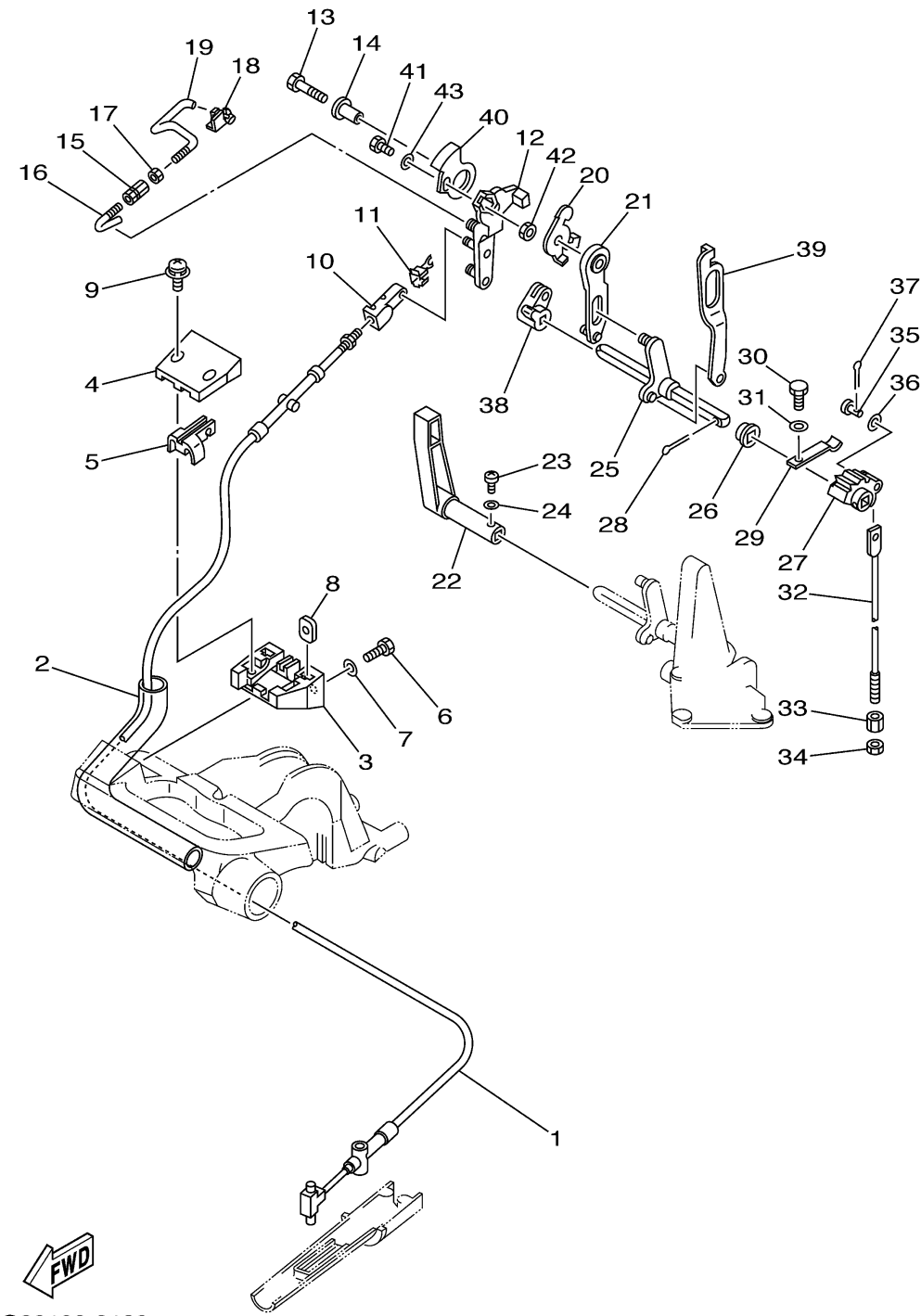
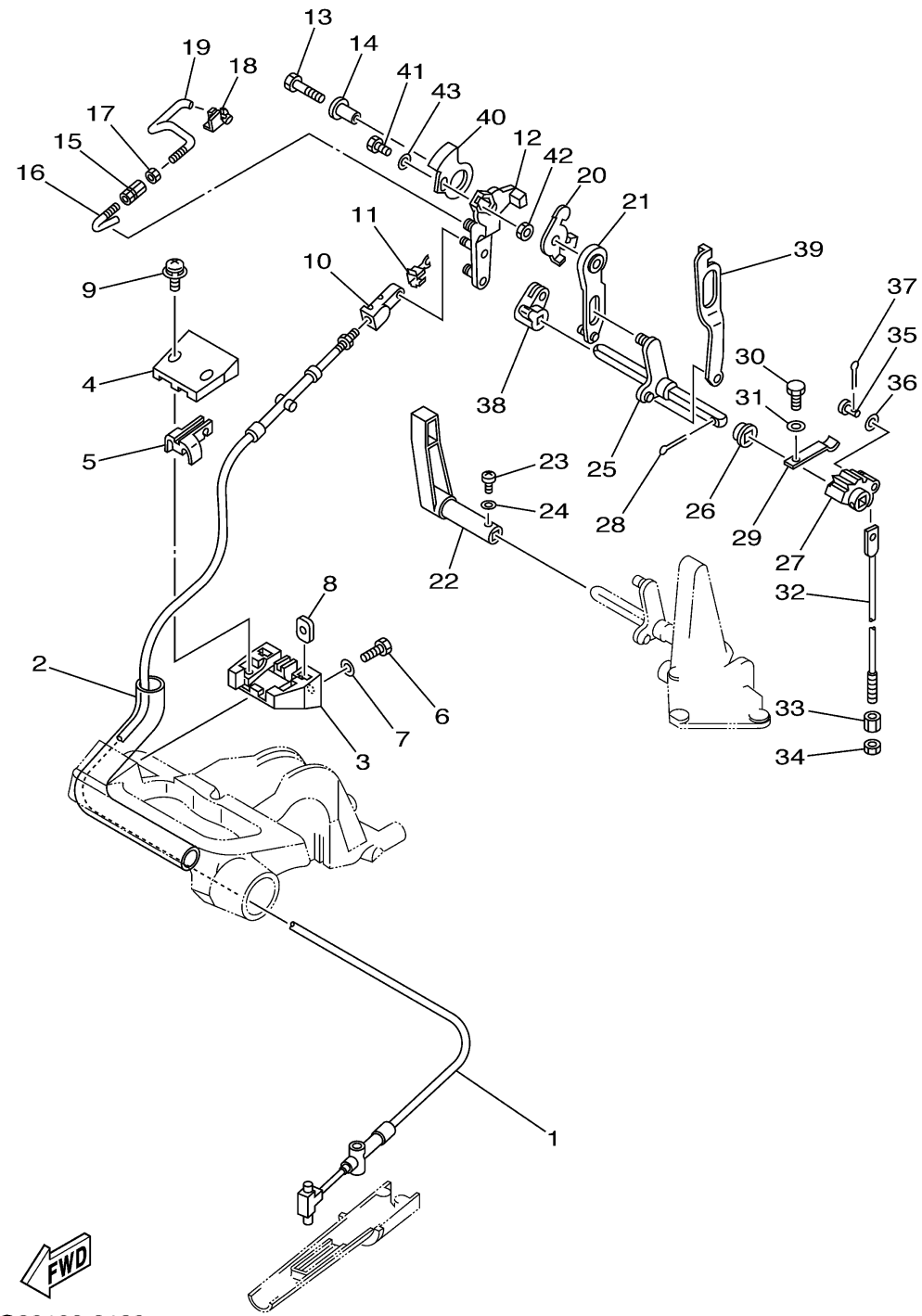


# CONTROL 1



Ref No.	Part Number	Description	Qty	Remarks
1	6G9-48311-02-00	CABLE	1	MH
2	90445-24M00-00	HOSE (L165)	1	MH
3	6G8-41661-00-98	BRACKET	1	MH
4	6G8-41662-00-98	BRACKET	1	MH
5	6G8-41663-00-00	BRACKET 3	1	MH
6	97095-06016-00	BOLT	2	MH
7	92995-06600-00	WASHER	2	MH
8	6G8-41654-00-00	NUT	2	MH
9	90159-05M06-00	SCREW, WITH WASHER	2	MH
10	6G8-26363-00-00	.END, WIRE 1	1	MH
11	6G8-26364-00-00	.END, CABLE	1	MH
12	6G8-41212-00-00	ARM, ACCEL.	1	MH
13	97013-06030-00	BOLT	1	MH
14	90387-06M58-00	COLLAR	1	MH
15	6G8-41238-01-00	JOINT, LINK	1	MH
16	6G8-41241-01-00	ROD, LINK	1	MH
17	95380-04600-00	.NUT	1	MH
18	6G8-41237-01-00	JOINT, LINK	1	MH
19	6G8-41242-01-00	ROD 2	1	MH
20	6G8-14493-00-00	STAY 1	1	MH

CONTINUED ON NEXT FRAME >



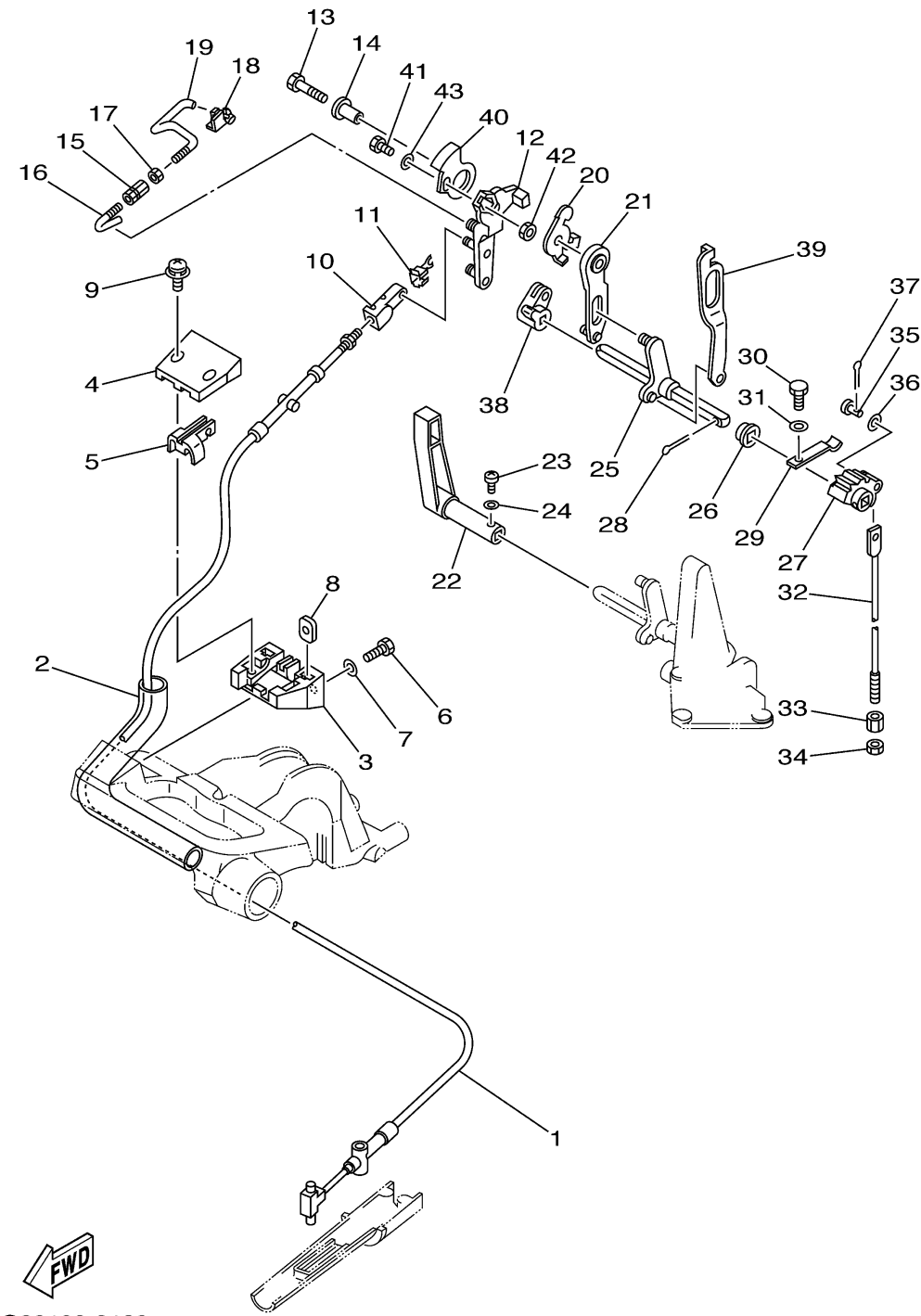
6G90100-9180

# CONTROL 1

Ref No.	Part Number	Description	Qty	Remarks
21	6G8-44111-00-00	HANDLE, GEAR SHIFT	1	MH
22	6G9-44111-00-98	HANDLE, GEAR SHIFT	1	MH
23	97880-04016-00	SCREW, PAN HEAD	1	MH
24	92990-04600-00	WASHER, PLATE	1	MH
25	6G8-44159-00-00	HANDLE, GEAR SHIFT	1	MH
26	682-44132-00-00	BUSHING	1	MH
27	682-44121-01-00	LEVER, SHIFT ROD	1	MH
28	91490-25020-00	PIN. COTTER	1	MH
29	682-44116-01-00	SPRING	1	MH
30	97095-06014-00	BOLT	1	MH
31	92995-06600-00	WASHER	1	MH
32	6G9-44143-00-00	ROD, SHIFT	1	UR S
32	6G8-44143-10-00	ROD, SHIFT	1	UR L
33	90170-06015-00	NUT	1	MH
34	95380-06700-00	NUT	1	MH
35	91790-05020-00	PIN, CLEVIS	1	MH
36	92990-05600-00	WASHER, PLATE	1	MH
37	91490-16010-00	PIN. COTTER	1	MH
38	6G8-44125-00-00	LEVER, SHIFT ROD	1	MH
39	6G8-44124-11-00	LINK, SHIFT ROD	1	MH

CONTINUED ON NEXT FRAME >

# CONTROL 1



6G90100-9180

Ref No.	Part Number	Description	Qty	Remarks
40	6G8-41212-11-00	ARM, ACCEL.	1	MH
41	97013-06014-00	BOLT	1	MH
42	95380-06600-00	NUT, HEXAGON	1	MH
43	92990-06600-00	.WASHER, PLATE	1	MH