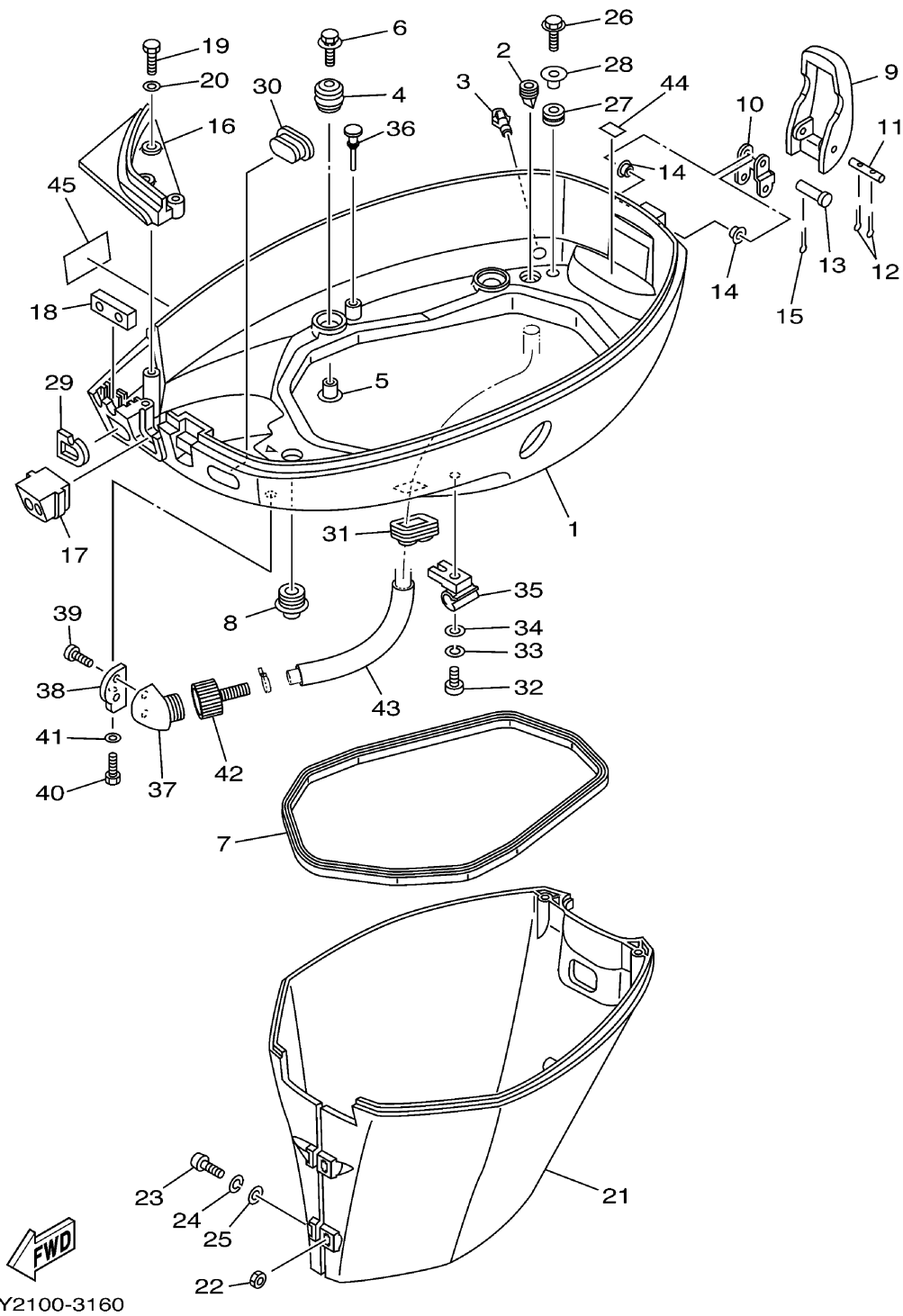


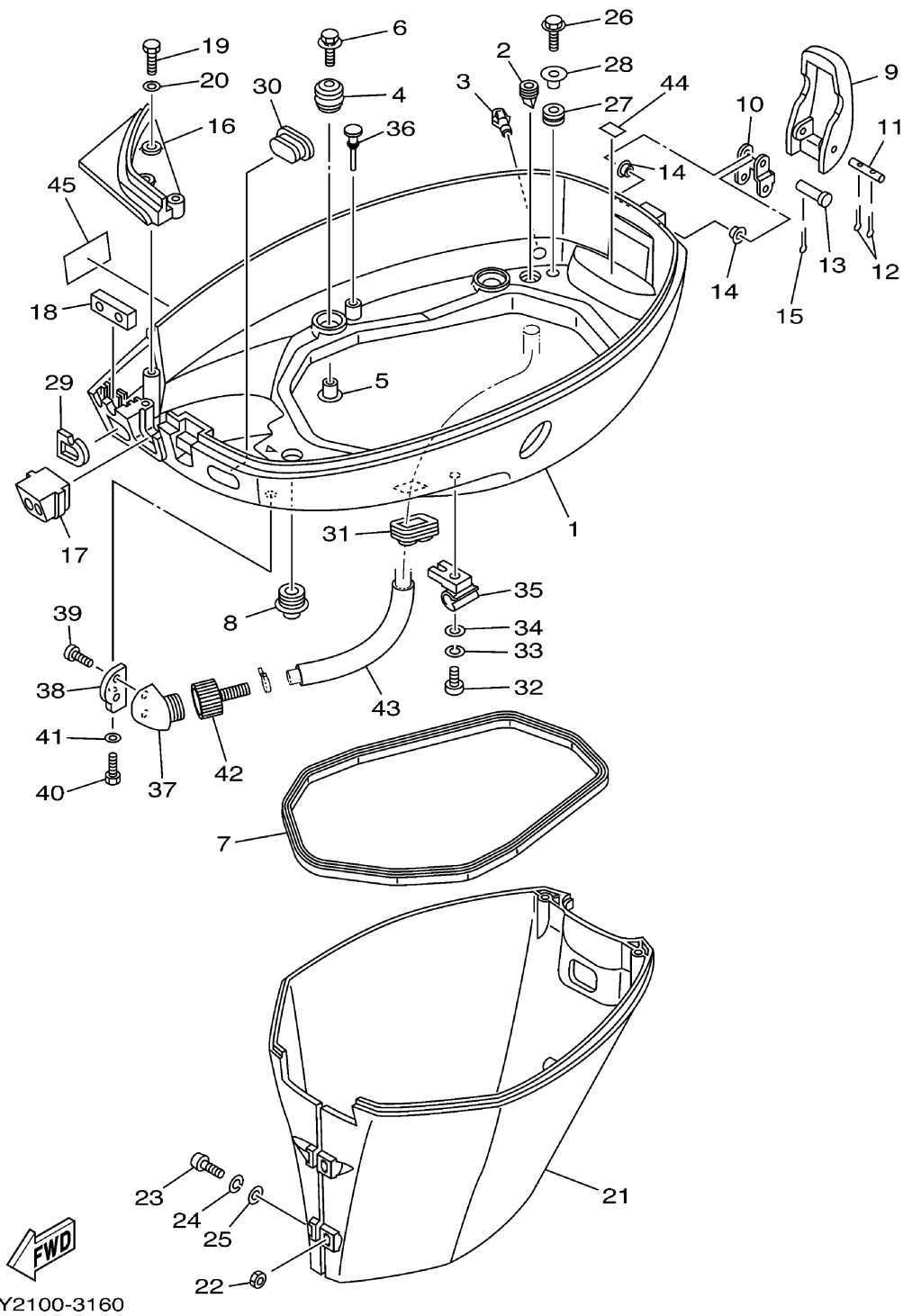
BOTTOM COWLING



Ref No.	Part Number	Description	Qty	Remarks
1	62Y-42711-14-4D	COWLING, BOTTOM	1	
2	65W-42717-00-00	RUBBER, SEAL 2	4	
3	6H3-44391-01-00	NIPPLE, HOSE	1	
4	90480-09M12-00	GROMMET	4	
5	90387-06060-00	COLLAR	4	
6	90119-06M08-00	BOLT, WITH WASHER	4	
7	62Y-42716-00-00	RUBBER, SEAL 1	1	
8	6E5-42724-00-00	GROMMET	1	
9	62Y-42828-00-4D	PLATE, CLAMP	1	
10	62Y-42815-00-00	LEVER, CLAMP	1	
11	90249-05M30-00	PIN	1	
12	91490-16010-00	PIN. COTTER	2	
13	90240-05M19-00	PIN, CLEVIS	1	
14	90386-05002-00	BUSH	2	
15	91490-16010-00	PIN. COTTER	1	
16	62Y-42738-01-5B	PLATE, FITTING	1	
17	62Y-42725-30-00	GROMMET	1	
17	62Y-42725-40-00	GROMMET 2	1	AP
18	62Y-42727-00-00	GROMMET	1	
19	97095-06020-00	BOLT	3	

CONTINUED ON NEXT FRAME >

BOTTOM COWLING



Ref No.	Part Number	Description	Qty	Remarks
20	92995-06600-00	WASHER	3	
21	62Y-42741-00-4D	APRON	1	
22	95380-06600-00	NUT, HEXAGON	2	
23	97880-06025-00	SCREW, PAN HEAD	2	
24	92990-06100-00	WASHER, SPRING	2	
25	92990-06600-00	.WASHER, PLATE	2	
26	90109-06M80-00	BOLT	2	
27	90480-13M24-00	GROMMET	2	
28	90387-06M43-00	COLLAR	2	
29	61N-24329-00-00	SEAL	1	
30	6H3-42727-00-00	GROMMET	1	
31	6H1-42726-21-00	GROMMET	1	FLUSHING KIT
32	97880-06025-00	SCREW, PAN HEAD	1	
33	92990-06100-00	WASHER, SPRING	1	
34	92990-06600-00	.WASHER, PLATE	1	
35	90464-09M43-00	CLAMP	1	
36	62Y-42748-00-00	GROMMET	1	
37	68T-12572-00-00	ADAPTER	1	FLUSHING KIT
38	6H1-12535-00-00	PLATE	1	FLUSHING KIT
39	90167-06002-00	SCREW, TAPPING	2	FLUSHING KIT

CONTINUED ON NEXT FRAME >

BOTTOM COWLING

Ref No.	Part Number	Description	Qty	Remarks
40	97095-06020-00	BOLT	1	FLUSHING KIT
41	92995-06600-00	WASHER	1	FLUSHING KIT
42	6R3-12580-00-00	.JOINT ASSY	1	FLUSHING KIT
43	90445-14M41-00	HOSE (L150)	1	FLUSHING KIT
44	62Y-82377-00-00	LABEL	1	
45	62Y-13444-40-00	MARK	1	

