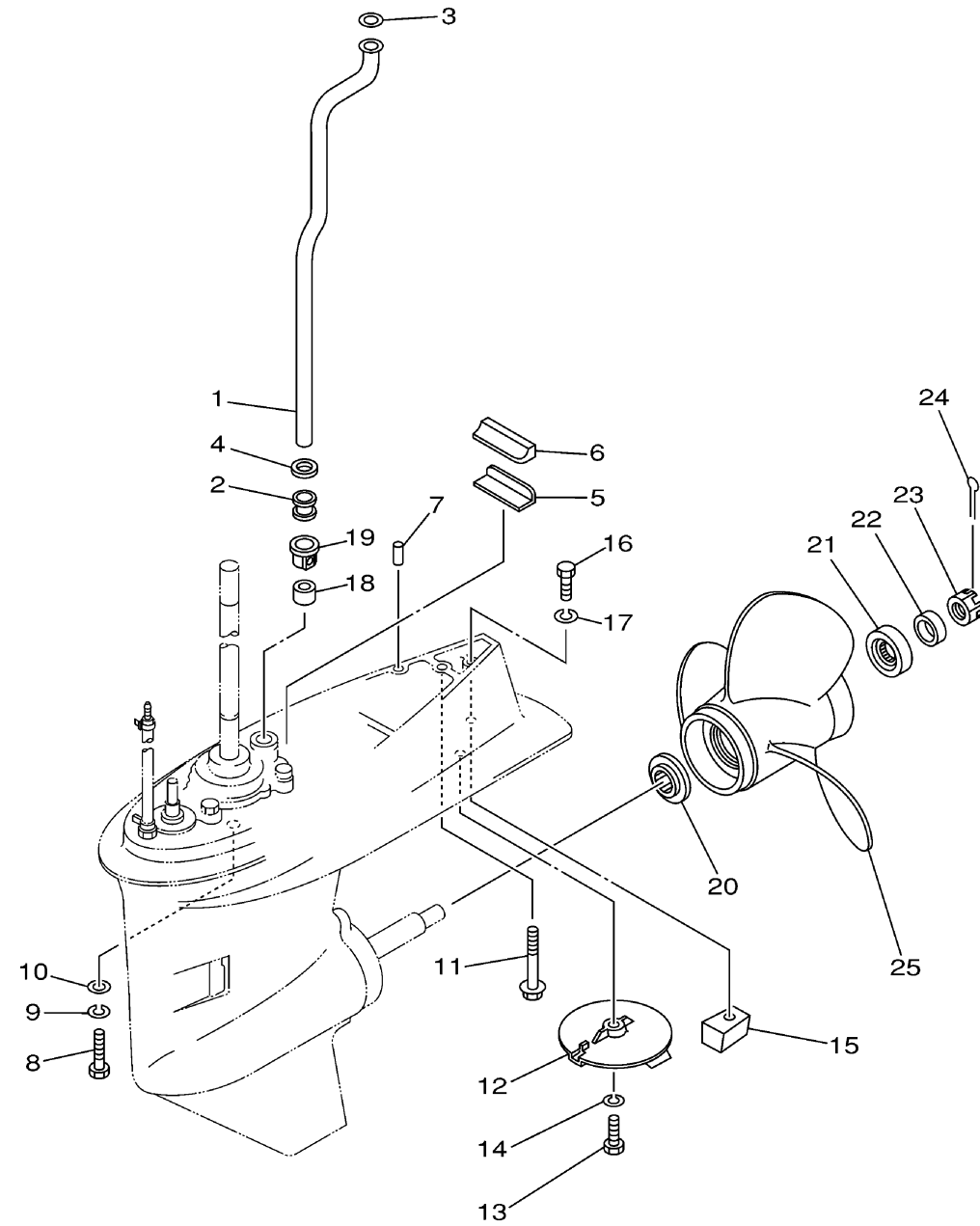


LOWER CASING DRIVE 2 F50TLRC



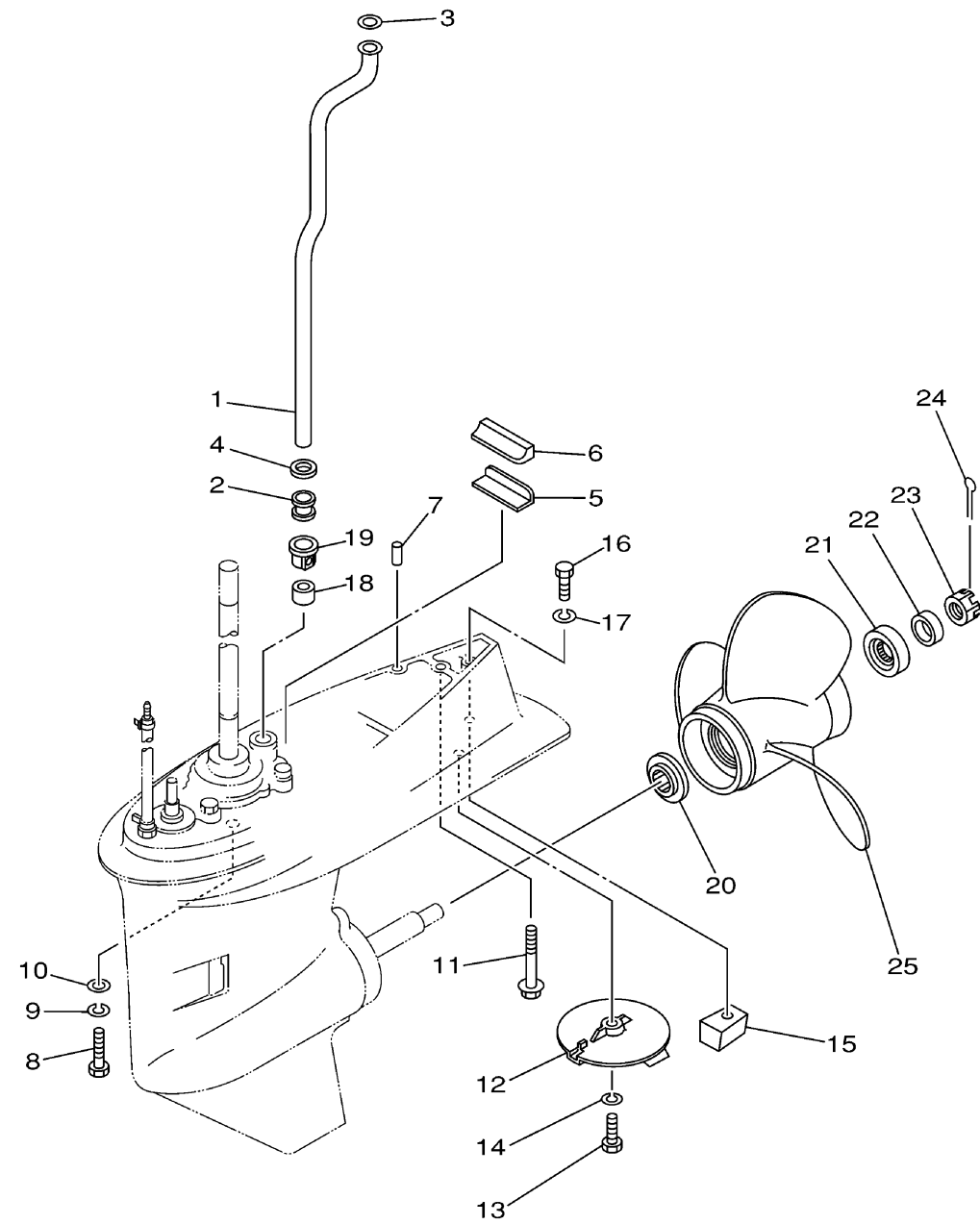
Ref No.	Part Number	Description	Qty	Remarks
1	62Y-44361-00-00	TUBE, WATER 1	1	F50-L
2	663-44367-00-00	DAMPER, WATER SEAL 3	1	F50
3	90202-12060-00	WASHER, PLATE	1	F50
4	90430-12072-00	GASKET	1	F50
5	663-45376-00-94	GUIDE, SEAL DAMPER	1	F50
6	63D-45375-00-00	DAMPER, SEAL	1	F50
7	93606-12019-00	PIN, DOWEL	2	F50
8	97075-10040-00	BOLT	4	F50-L
9	92995-10100-00	WASHER	4	F50-L
10	92995-10600-00	WASHER	4	F50-L
11	90119-08M84-00	BOLT, WITH WASHER	1	F50-L
12	67C-45371-00-00	TAB-TRIM	1	F50
13	97095-08025-00	.BOLT	1	F50
14	92995-08100-00	WASHER	1	F50
15	67C-45251-00-00	ANODE	1	F50
16	97095-08035-00	BOLT	1	F50
17	92995-08100-00	WASHER	1	F50
18	663-44366-00-00	DAMPER, WATER SEAL 2	1	F50
19	63D-44312-00-00	.COVER, WATER PUMP HOUSING	1	F50
20	663-45987-02-00	SPACER 1	1	F50

CONTINUED ON NEXT FRAME >


62Y0100-1270

LOWER CASING DRIVE 2 F50TLRC

Ref No.	Part Number	Description	Qty	Remarks
25	6H5-45943-00-EL	PROPELLER (3X10"X15"-G)	1	UR WITH LIP CUP



FWD
62Y0100-1270