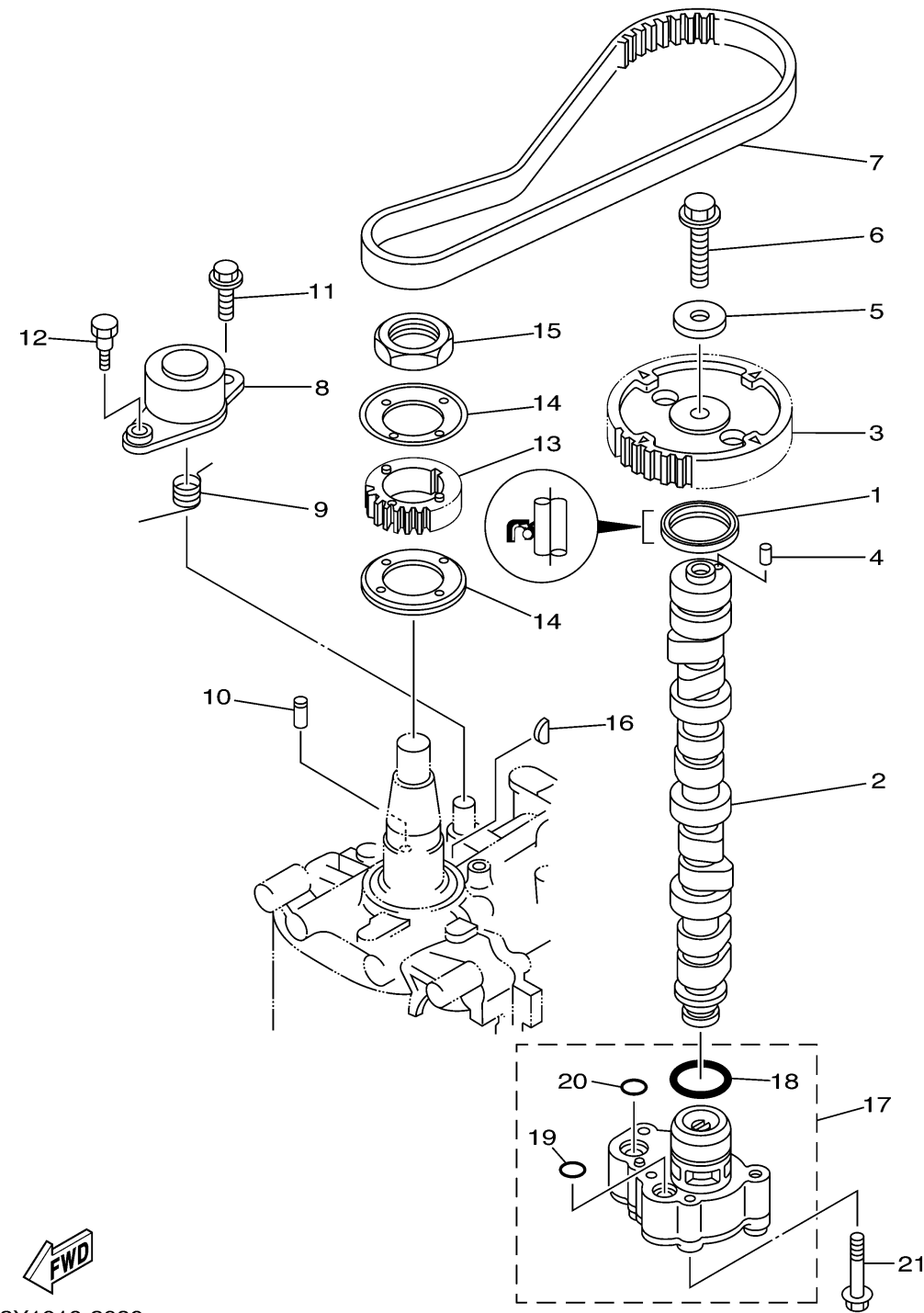


# OIL PUMP



Ref No.	Part Number	Description	Qty	Remarks
1	93102-37M40-00	.OIL SEAL	1	
2	62Y-12171-00-00	CAMSHAFT 1	1	
3	62Y-11537-10-00	GEAR, DRIVEN	1	
4	93605-14143-00	PIN, DOWEL	1	
5	90201-10M06-00	WASHER, PLATE	1	
6	95895-10040-00	BOLT, FLANGE	1	
7	62Y-46241-00-00	BELT	1	
8	62Y-11590-10-00	TENSIONER ASSY	1	
9	90508-20018-00	SPRING, TORSION	1	
10	90249-07M29-00	PIN	1	
11	95895-08020-00	BOLT, FLANGE	1	
12	90109-06M64-00	BOLT	1	
13	62Y-11536-10-00	GEAR, DRIVE	1	
14	62Y-11557-00-00	WASHER 1	2	
15	90170-35M32-00	NUT	1	
16	90280-04M06-00	KEY, WOODRUFF	1	
17	69W-13300-00-00	OIL PUMP ASSY	1	
18	93210-33MH2-00	.O-RING	1	
19	93210-12MG9-00	.O-RING	1	
20	93210-14515-00	.O-RING	1	

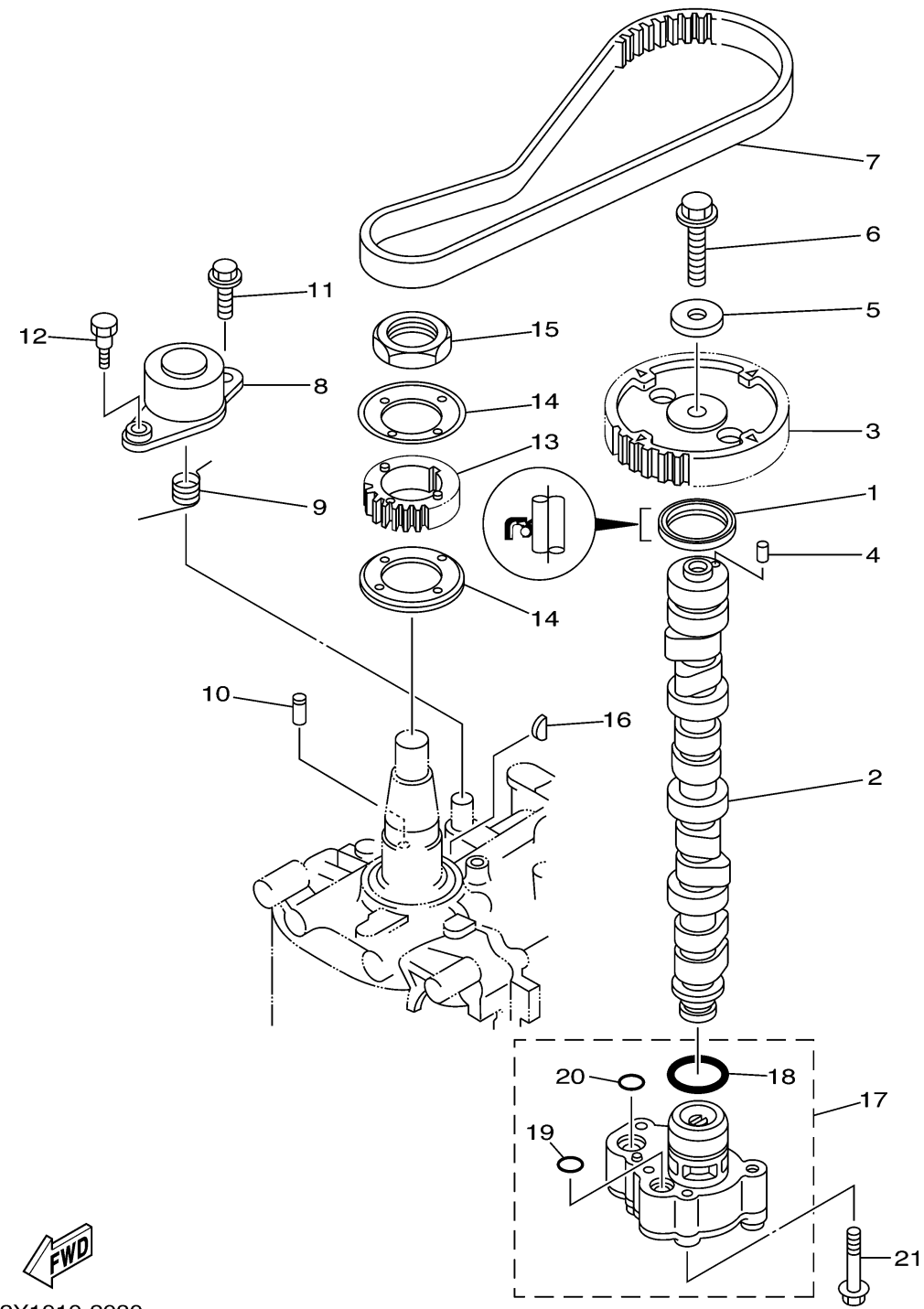
CONTINUED ON NEXT FRAME >



62Y1010-2080

# OIL PUMP

Ref No.	Part Number	Description	Qty	Remarks
21	90119-06025-00	BOLT, WITH WASHER	4	



62Y1010-2080