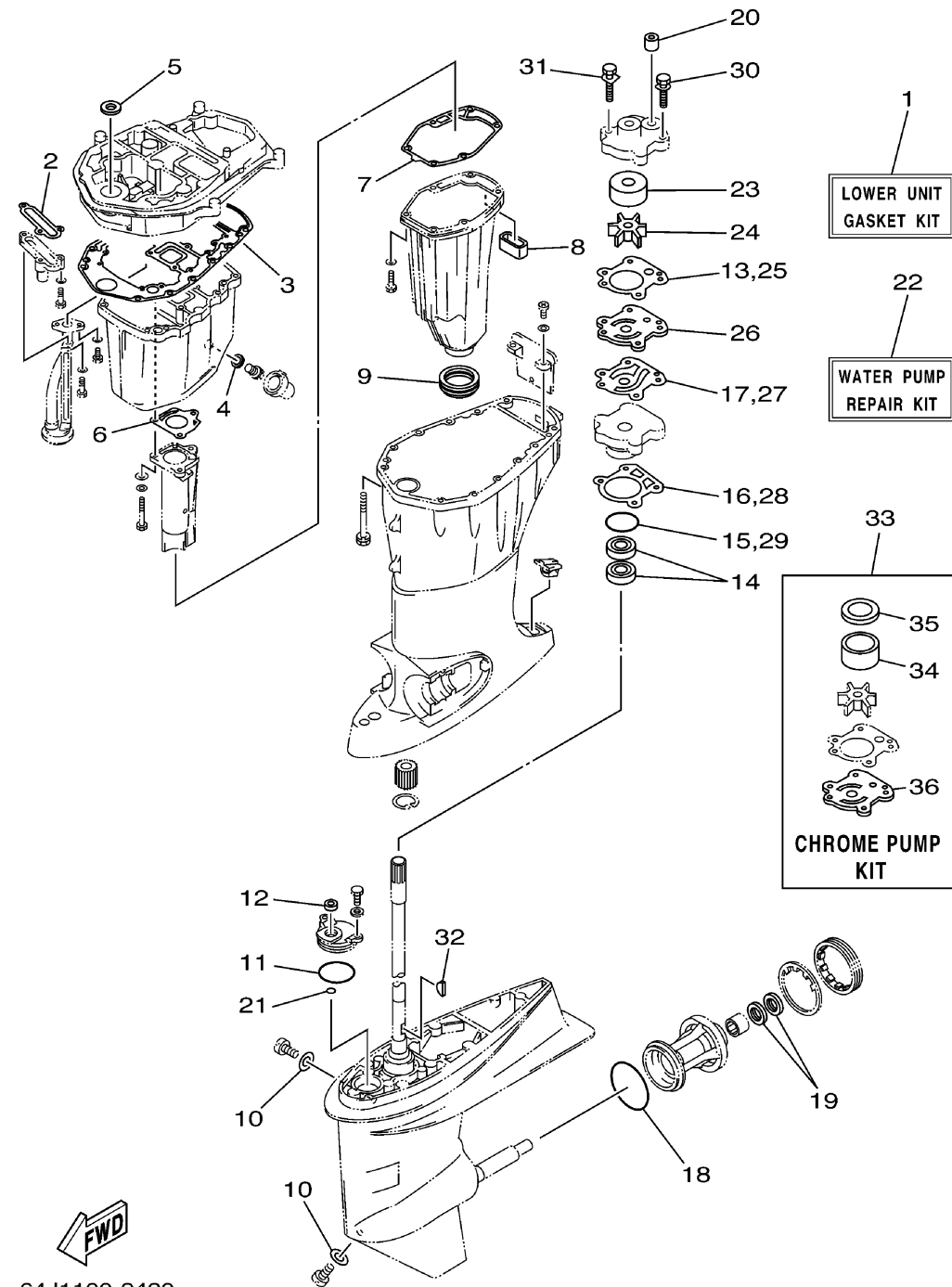


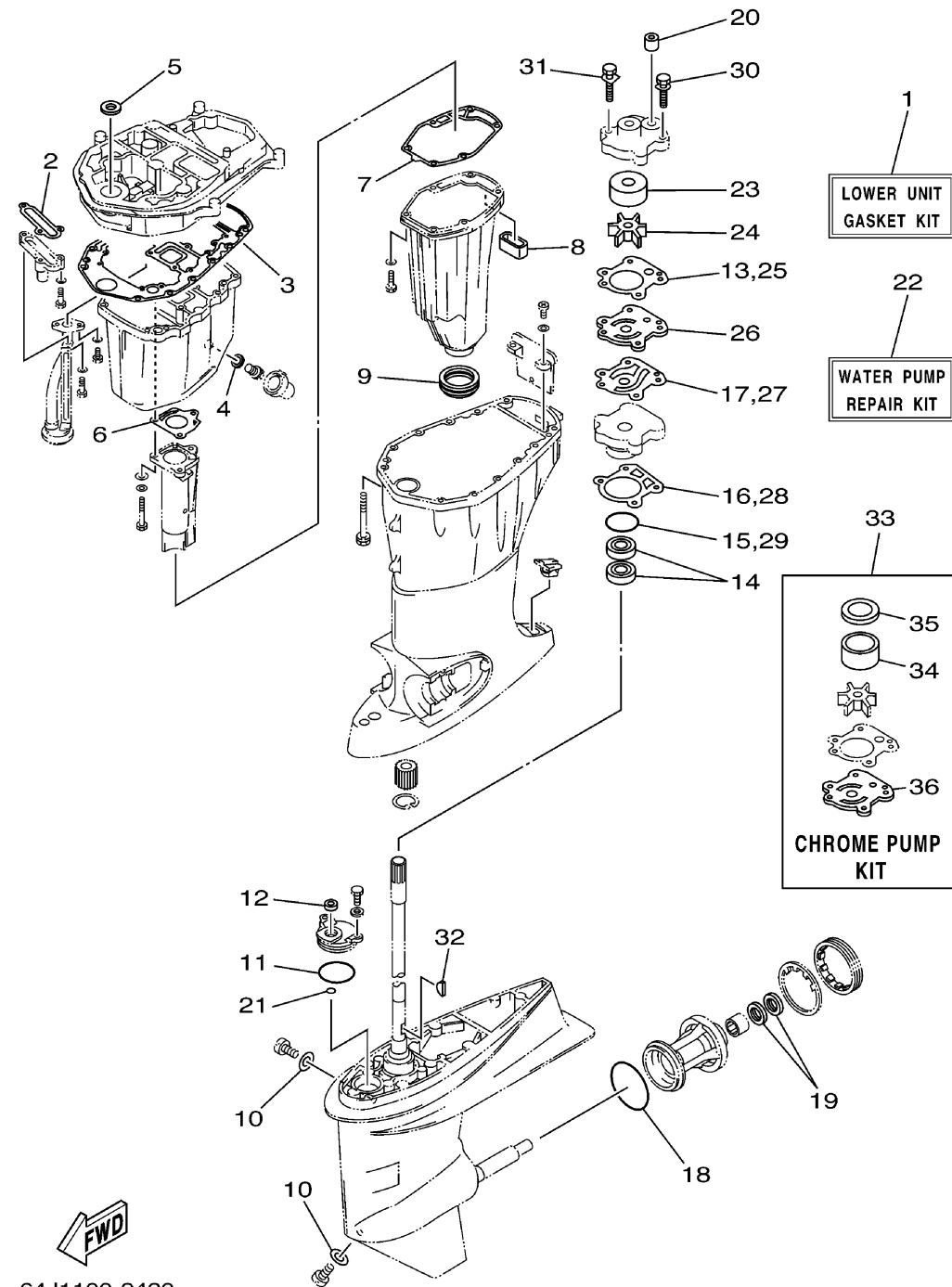
REPAIR KIT 3 T50TLRC

Ref No.	Part Number	Description	Qty	Remarks
1	64J-W0001-22-00	LOWER UNIT GASKET KIT	1	T50
2	62Y-13475-00-00	..GASKET	1	
3	69W-15312-00-00	..GASKET, OIL PAN	1	
4	90430-14M09-00	..GASKET	1	
5	93103-18011-00	..OIL SEAL	1	
6	67C-41133-00-00	..GASKET, EXHAUST MANIFOLD 1	1	
7	62Y-41134-01-00	..GASKET, EXHAUST MANIFOLD	1	
8	62Y-45127-00-00	..SEAL	1	
9	663-45123-00-00	..GASKET, MUFFLER	1	
10	90430-08020-00	..GASKET	2	
11	93210-49046-00	..O-RING	1	
12	93106-09014-00	..OIL SEAL	1	
13	6H3-44315-A0-00	..GASKET, WATER PUMP	1	
14	93101-23070-00	..OIL SEAL	2	
15	93210-46044-00	..O-RING	1	
16	688-44316-A0-00	..GASKET, WATER PUMP	1	
17	6H3-44324-A0-00	..GASKET, CARTRIDGE	1	
18	93210-86M39-00	..O-RING	1	
19	93101-25M03-00	..OIL SEAL	2	
20	663-44366-00-00	..DAMPER, WATER SEAL 2	1	

CONTINUED ON NEXT FRAME >



REPAIR KIT 3 T50TLRC



Ref No.	Part Number	Description	Qty	Remarks
21	93210-07003-00	. O-RING	1	
22	6H3-W0078-02-00	WATER PUMP REPAIR KIT	1	T50
23	663-44322-00-00	. INSERT, CARTRIDGE	1	
24	6H3-44352-00-00	. IMPELLER	1	
25	6H3-44315-A0-00	. GASKET, WATER PUMP	1	
26	6H3-44323-00-00	. OUTER PLATE, CARTRIDGE	1	
27	6H3-44324-A0-00	. GASKET, CARTRIDGE	1	
28	688-44316-A0-00	. GASKET, WATER PUMP	1	
29	93210-46044-00	. O-RING	1	
30	90119-08M14-00	. BOLT, WITH WASHER	2	
31	90119-08M33-00	. BOLT, WITH WASHER	2	
32	90280-03M03-00	. KEY, WOODRUFF	1	
33	6H3-W0078-0A-00	CHROME PUMP KIT	1	T50
34	670-44322-01-00	. INSERT, CARTRIDGE	1	
35	670-44321-00-00	. INNER PLATE, CARTRIDGE	1	
36	6H3-44323-40-00	. OUTER PLATE, CARTRIDGE	1	