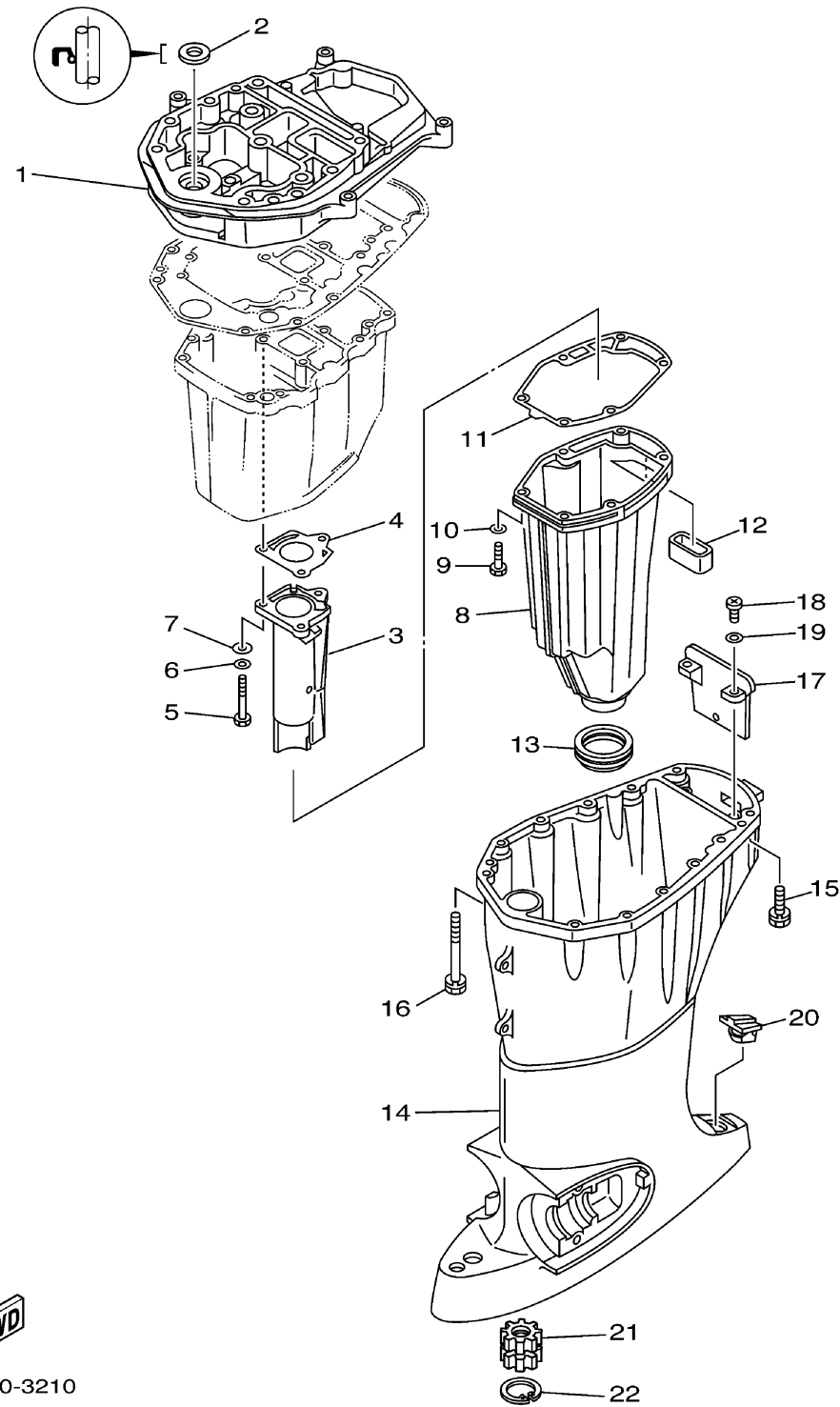


# UPPER CASING



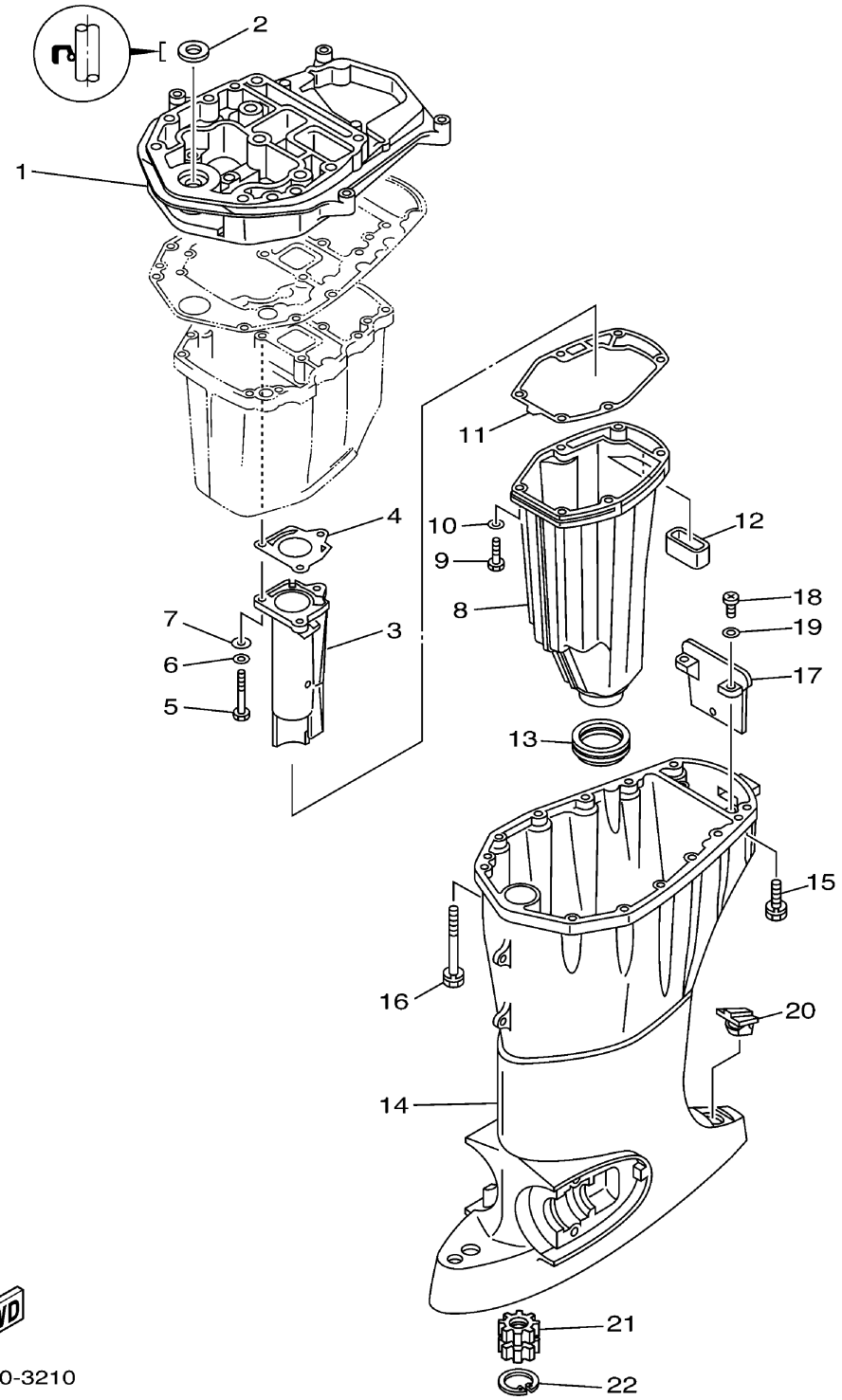
Ref No.	Part Number	Description	Qty	Remarks
1	62Y-41137-11-94	GUIDE, EXHAUST	1	
2	93103-18011-00	.OIL SEAL	1	
3	67C-41131-00-5B	MANIFOLD, EXT. 1	1	
4	67C-41133-00-00	.GASKET, EXHAUST MANIFOLD 1	1	
5	97075-06050-00	BOLT	3	
6	92995-06600-00	WASHER	3	
7	90201-06015-00	WASHER, PLATE	3	
8	62Y-14711-00-5B	MUFFLER 1	1	
9	97075-06025-00	BOLT	6	
10	92995-06600-00	WASHER	6	
11	62Y-41134-01-00	.GASKET, EXHAUST MANIFOLD	1	
12	62Y-45127-00-00	.SEAL	1	
13	663-45123-00-00	GASKET, MUFFLER	1	
14	62Y-45111-21-4D	CASING, UPPER	1	
15	90119-08M79-00	BOLT, WITH WASHER	4	
16	90119-08M82-00	BOLT, WITH WASHER	8	
17	62Y-45151-00-00	COVER, UPPER CASING	1	
18	97880-05016-00	SCREW, PAN HEAD	2	
19	92990-05600-00	WASHER, PLATE	2	
20	6H3-45155-00-00	CAP	1	

CONTINUED ON NEXT FRAME >



62Y2110-3210

# UPPER CASING



Ref No.	Part Number	Description	Qty	Remarks
21	69W-45318-00-00	BUSHING, DRIVE SHAFT	1	
22	93420-36M01-00	CIRCLIP	1	



62Y2110-3210