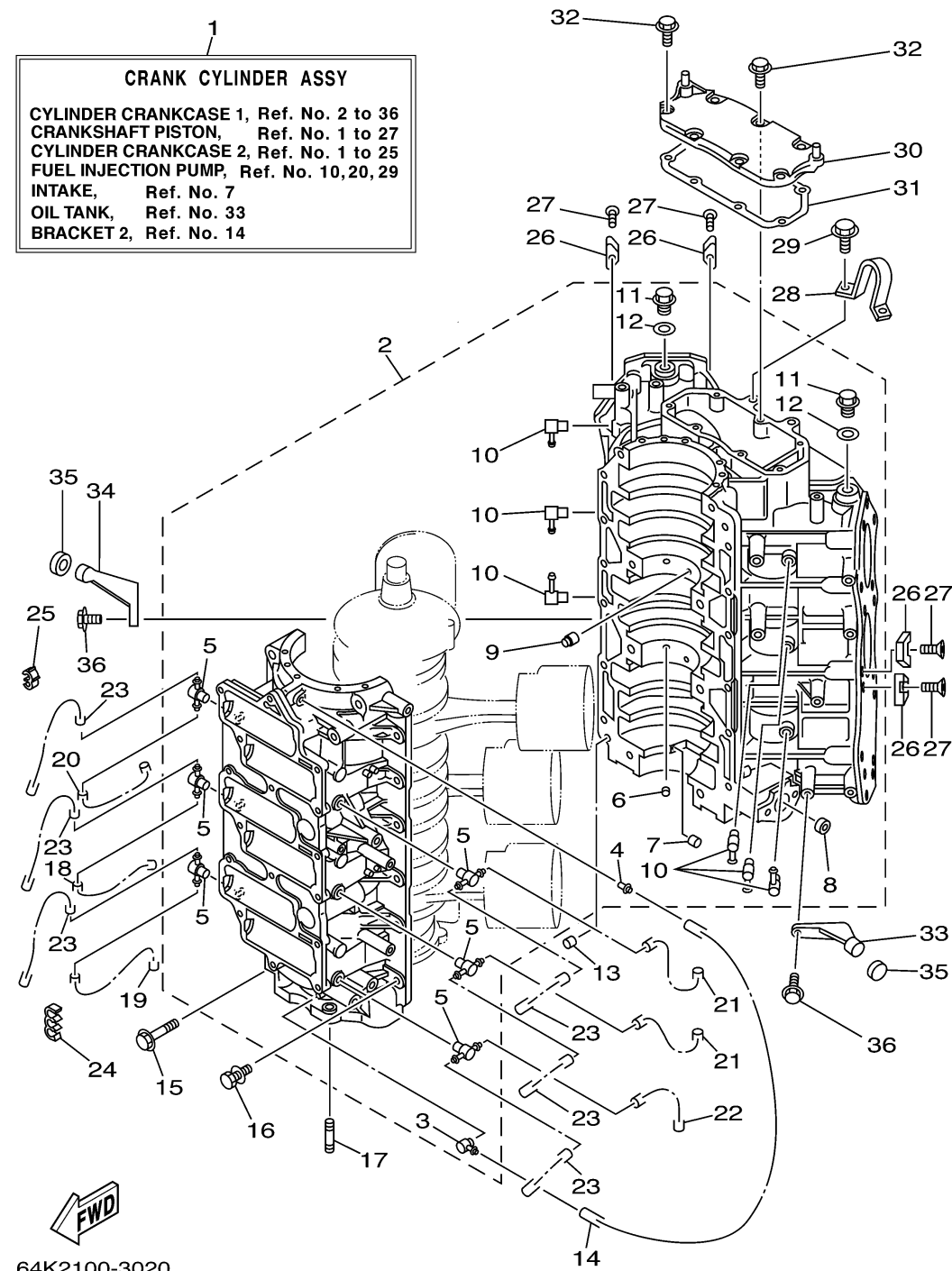


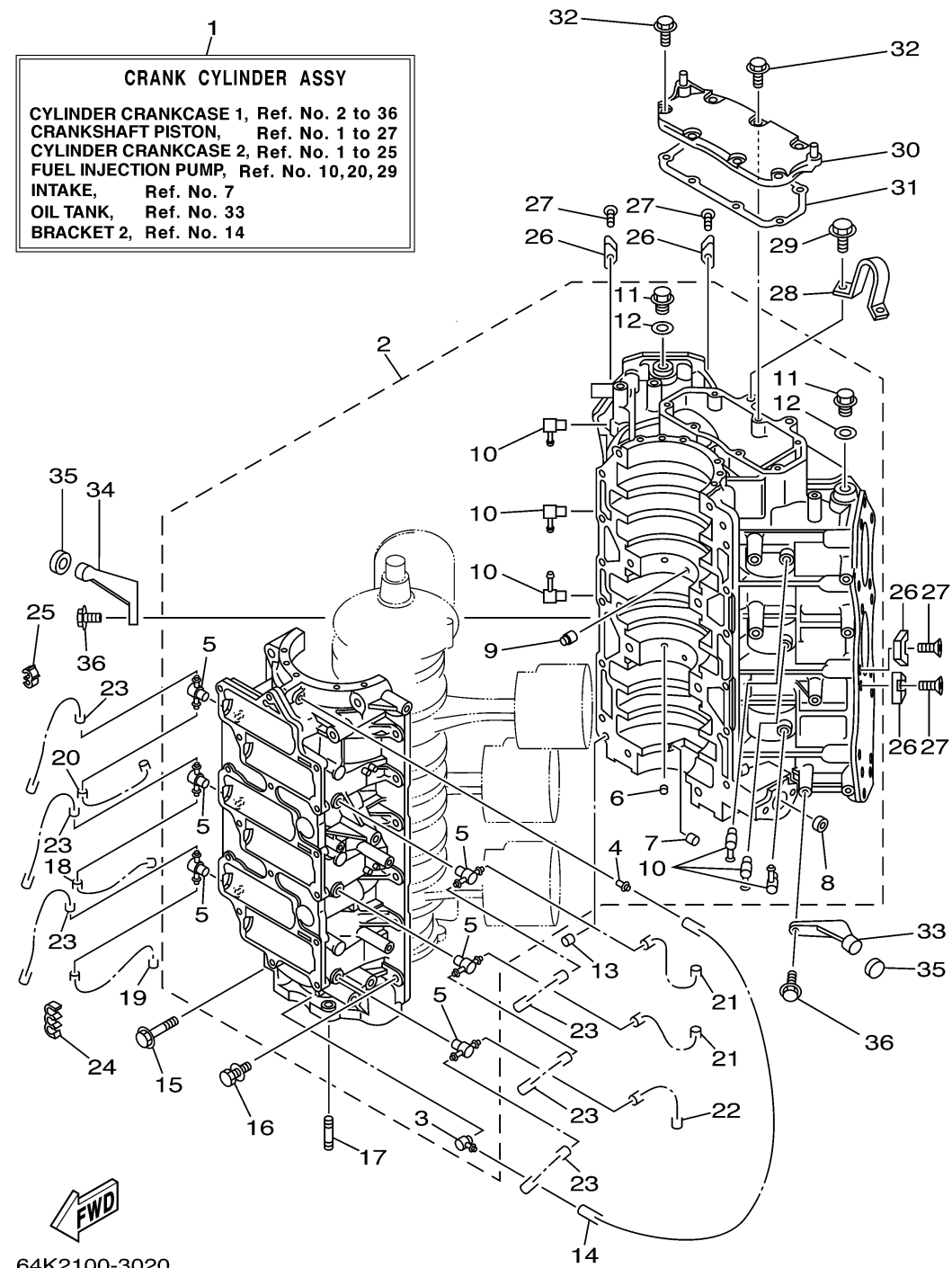
CYLINDER CRANKCASE 1



Ref No.	Part Number	Description	Qty	Remarks
1	64K-W0090-13-1S	CRANK CYLINDER ASSY	1	
2	64K-15100-00-1S	CRANKCASE ASSY	1	
3	6E5-11372-01-00	..NIPPLE, HOSE	1	
4	624-14485-00-00	..PIPE, JOINT	1	
5	6F6-11372-01-00	..NIPPLE, HOSE	6	
6	624-11379-00-00	..VALVE, CHECK	2	
7	90384-06M07-00	..BUSH, BIMETAL FORMED	1	
8	90384-14M09-00	..BUSH, BIMETAL FORMED	1	
9	663-11518-01-00	..LOCK, BEARING	2	
10	646-11370-01-00	..CHECK VALVE ASSY	6	
11	90340-14M00-00	..PLUG, STRAIGHT SCREW	2	
12	90430-14115-00	..GASKET	2	
13	93608-12063-00	PIN, DOWEL	2	
14	90445-07M10-00	HOSE (L510)	1	
15	90105-10M20-00	BOLT, FLANGE	8	
16	90119-08M94-00	BOLT, WITH WASHER	12	
17	90116-08M45-00	BOLT, STUD	2	
18	90445-07M11-00	HOSE (L610)	1	
19	90445-07M09-00	HOSE (L380)	1	
20	90445-07M12-00	HOSE (L300)	1	

CONTINUED ON NEXT FRAME >

CYLINDER CRANKCASE 1



Ref No.	Part Number	Description	Qty	Remarks
21	90445-07M08-00	HOSE (L220)	2	
22	90445-07M90-00	HOSE (L390)	1	
23	90445-07M34-00	HOSE (L260)	6	
24	90464-07M05-00	CLAMP	1	
25	90464-07M20-00	CLAMP	1	
26	6E5-11325-00-00	ANODE	8	
27	98780-04014-00	SCREW, FLAT HEAD	8	
28	67H-11119-01-00	HANGER, ENGINE	1	
29	90119-08MA3-00	BOLT, WITH WASHER	2	
30	6K7-11371-01-1S	COVER	1	
31	6E5-11381-A2-00	.GASKET 1	1	
32	90119-06MA2-00	BOLT, WITH WASHER	7	
33	6E5-42761-00-1S	STOPPER	1	
34	6E5-42762-00-1S	STOPPER	1	
35	68F-44533-00-00	DAMPER, UPPER MOUNT RUBBER	2	
36	90119-06MA2-00	BOLT, WITH WASHER	4	