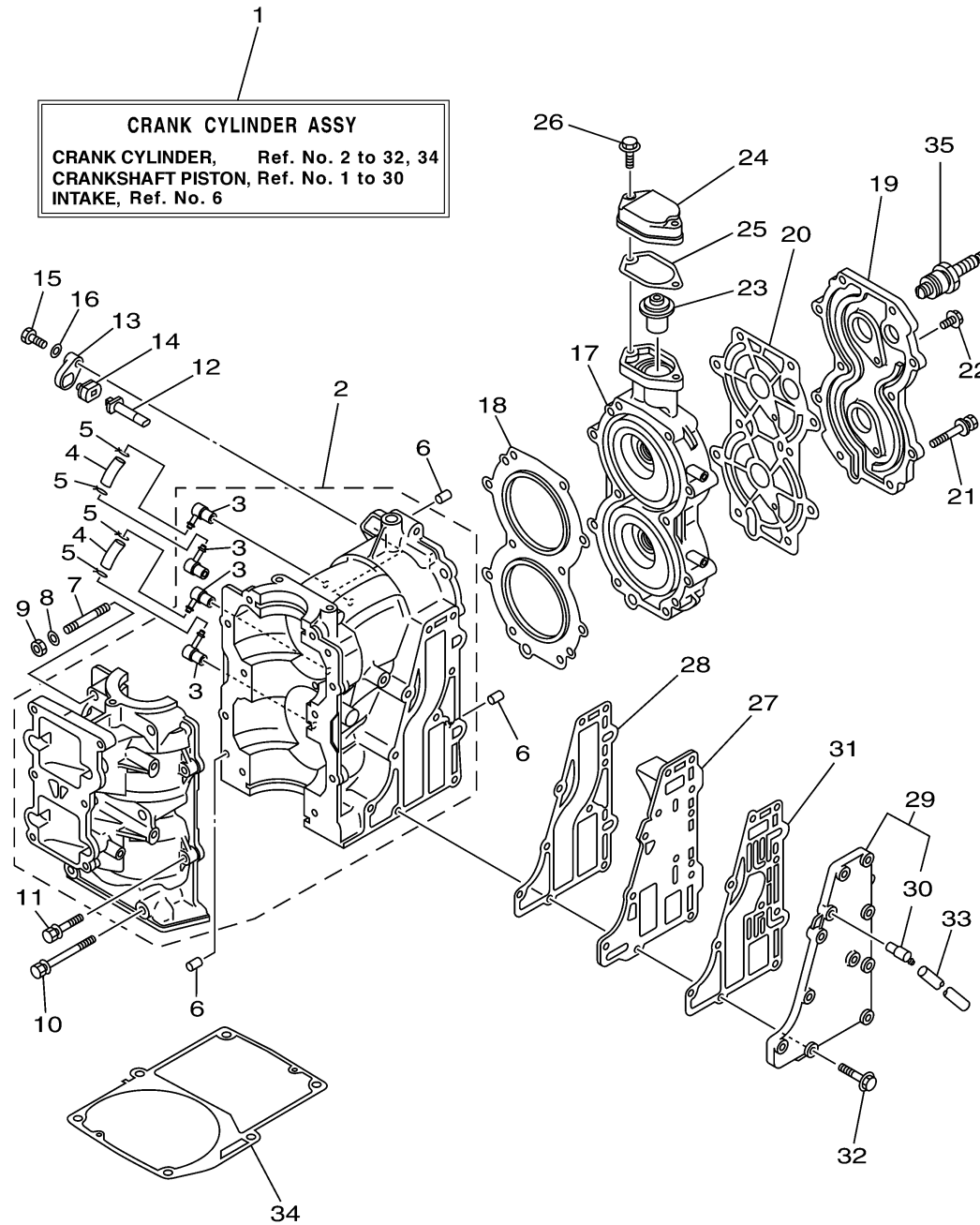


CYLINDER CRANKCASE



Ref No.	Part Number	Description	Qty	Remarks
1	6L2-W0090-04-1S	CRANK CYLINDER ASSY	1	N.O/I
2	6L2-15100-00-1S	CRANKCASE ASSY	1	N.O/I
3	6E5-11372-01-00	. NIPPLE, HOSE	4	
4	90445-07M15-00	HOSE (L40)	2	
5	90467-06016-00	CLIP	4	
6	93604-12M07-00	PIN, DOWEL	4	
7	95617-08645-00	BOLT, STUD	2	
8	90201-08086-00	WASHER, PLATE	2	
9	95333-08600-00	NUT	2	
10	90119-08M65-00	BOLT, WITH WASHER	4	
11	90119-06M14-00	BOLT, WITH WASHER	4	
12	6J8-11325-00-00	ANODE	1	
13	6H3-11327-00-1S	COVER, ANODE	1	
14	6H3-11328-00-00	GROMMET, ANODE	1	
15	97013-06016-00	BOLT	1	
16	92903-06600-00	WASHER, PLATE	1	
17	6L2-11111-01-1S	HEAD, CYLINDER 1	1	
18	6L2-11181-A2-00	.GASKET, CYLINDER HEAD 1	1	
19	6L2-11191-00-1S	COVER, CYLINDER HEAD 1	1	
20	6L2-11193-A1-00	.GASKET, HEAD COVER 1	1	

CONTINUED ON NEXT FRAME >

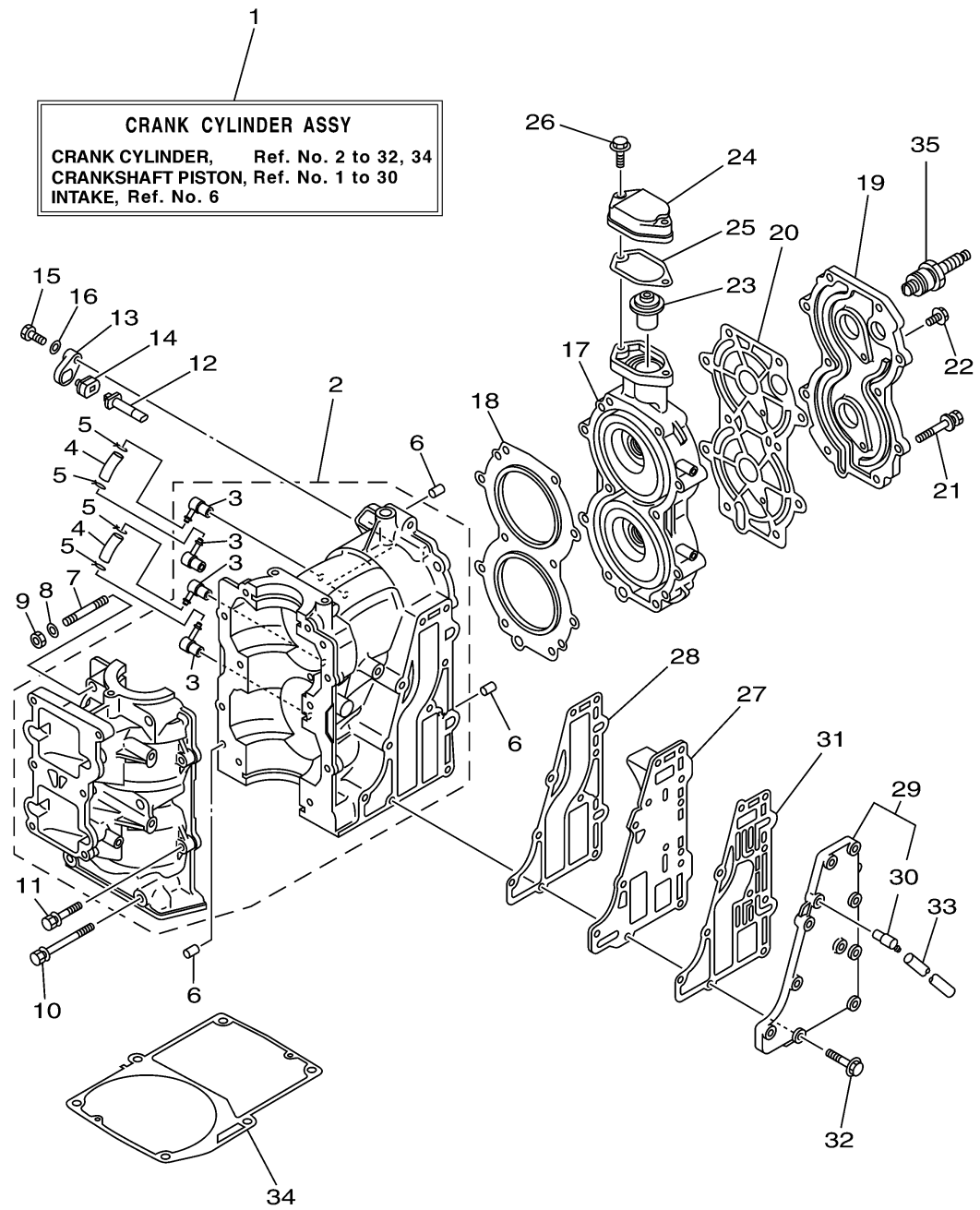


6L23100-C020

25mshd

A3

CYLINDER CRANKCASE



Ref No.	Part Number	Description	Qty	Remarks
21	90119-08M91-00	BOLT, WITH WASHER	10	
22	90119-06023-00	BOLT, WITH WASHER	2	
23	6E5-12411-30-00	THERMOSTAT	1	
24	6H4-12413-00-1S	COVER, THERMOSTAT	1	
25	6J8-12414-A0-00	.GASKET, COVER	1	
26	90119-06MA3-00	BOLT, WITH WASHER	2	
27	6L2-41111-00-1S	INNER COVER, EXHAUST	1	
28	6L2-41112-A2-00	.GASKET, EXHAUST INNER COVER	1	
29	6L2-41113-00-1S	OUTER COVER, EXHAUST	1	
30	676-11372-00-00	.NIPPLE, HOSE	1	
31	6L2-41114-A1-00	.GASKET, EXHAUST OUTER COVER	1	
32	90119-06MA4-00	BOLT, WITH WASHER	10	
33	90445-10M40-00	HOSE (L330)	1	
34	6L2-45113-A2-00	.GASKET, UPPER CASING	1	
35	94702-00217-00	PLUG, SPARK (NGK B7HS-10)	2	



6L23100-C020

25mshd

A4