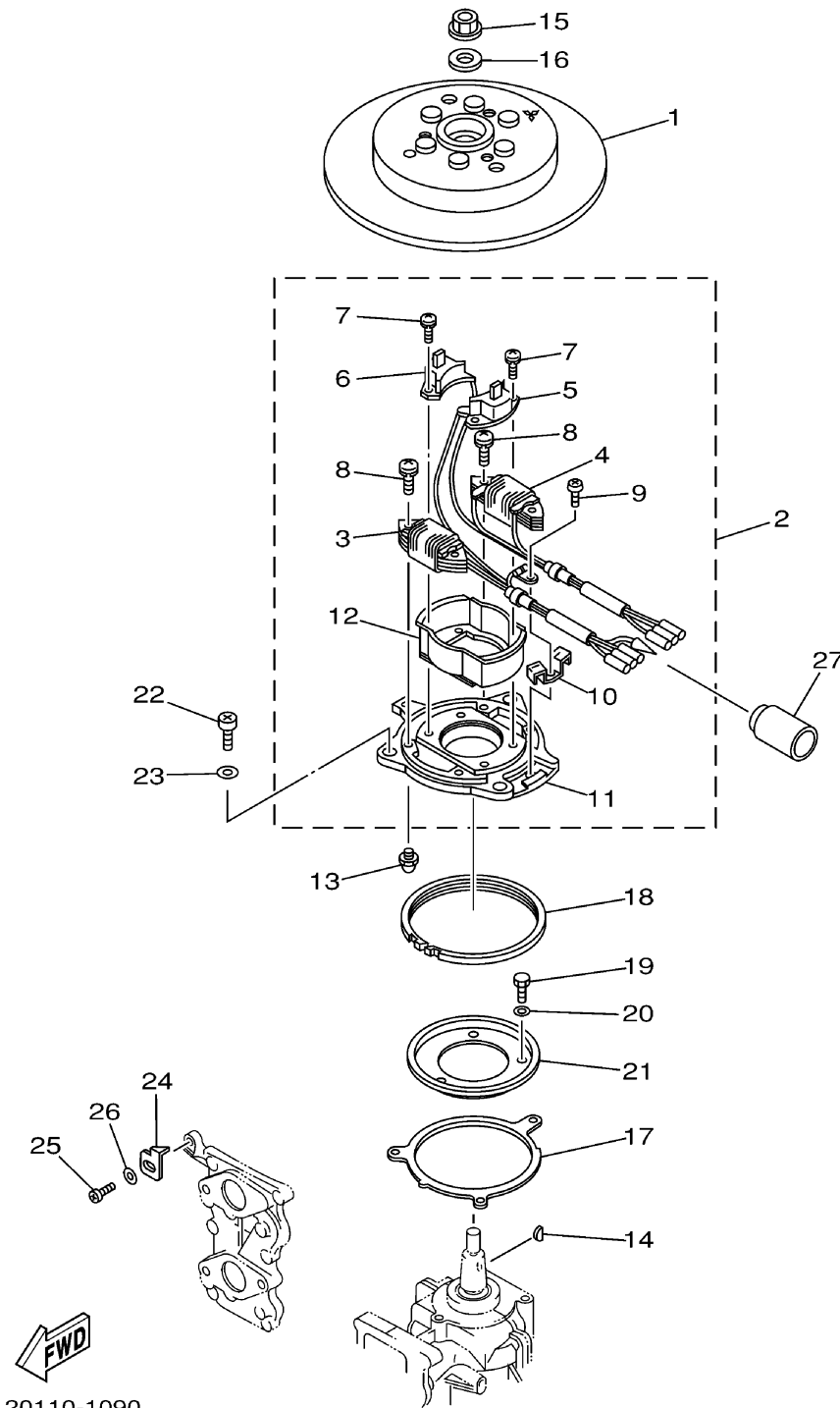


GENERATOR



Ref No.	Part Number	Description	Qty	Remarks
1	6L2-85550-00-00	ROTOR ASSY	1	
2	6L2-85560-10-00	BASE ASSY	1	
3	6L2-85520-11-00	. .COIL, CHARGE	1	
4	6L2-85533-10-00	. .COIL, LIGHTING	1	
5	6L2-85580-10-00	. .COIL, PULSER	1	
6	6L2-85580-20-00	. .COIL, PULSER	1	
7	97607-04110-00	. . .SCREW,WITH WASHER	4	
8	97607-06125-00	. . SCREW,WITH WASHER	4	
9	97802-04006-00	. .SCREW, PAN HEAD	1	
10	6E9-81328-70-00	. .CLAMP	1	
11	6L2-85561-10-00	. .BASE, MAGNETO	1	
12	61N-85537-00-00	. .COVER	1	
13	663-85518-00-00	JOINT, BALL	1	
14	90280-05013-00	KEY, WOODRUFF	1	
15	90179-12M04-00	NUT	1	
16	90201-13M42-00	WASHER, PLATE	1	
17	6G1-41611-00-00	RETAINER, MAGNETO BASE	1	
18	695-41613-00-00	PLATE, BASE FRICTION	1	
19	97095-06012-00	BOLT	3	
20	92995-06600-00	WASHER	3	

CONTINUED ON NEXT FRAME >

GENERATOR

Ref No.	Part Number	Description	Qty	Remarks
21	6G1-41612-00-00	RETAINER, MAGNETO BASE	1	
22	97885-05010-00	SCREW, PAN HEAD	3	
23	92995-05600-00	WASHER	3	
24	6L2-81332-00-00	PLATE, TIMING	1	
25	97885-05010-00	SCREW, PAN HEAD	1	
26	92995-05600-00	WASHER	1	
27	6L2-82599-01-00	COVER, CONNECTER	1	

