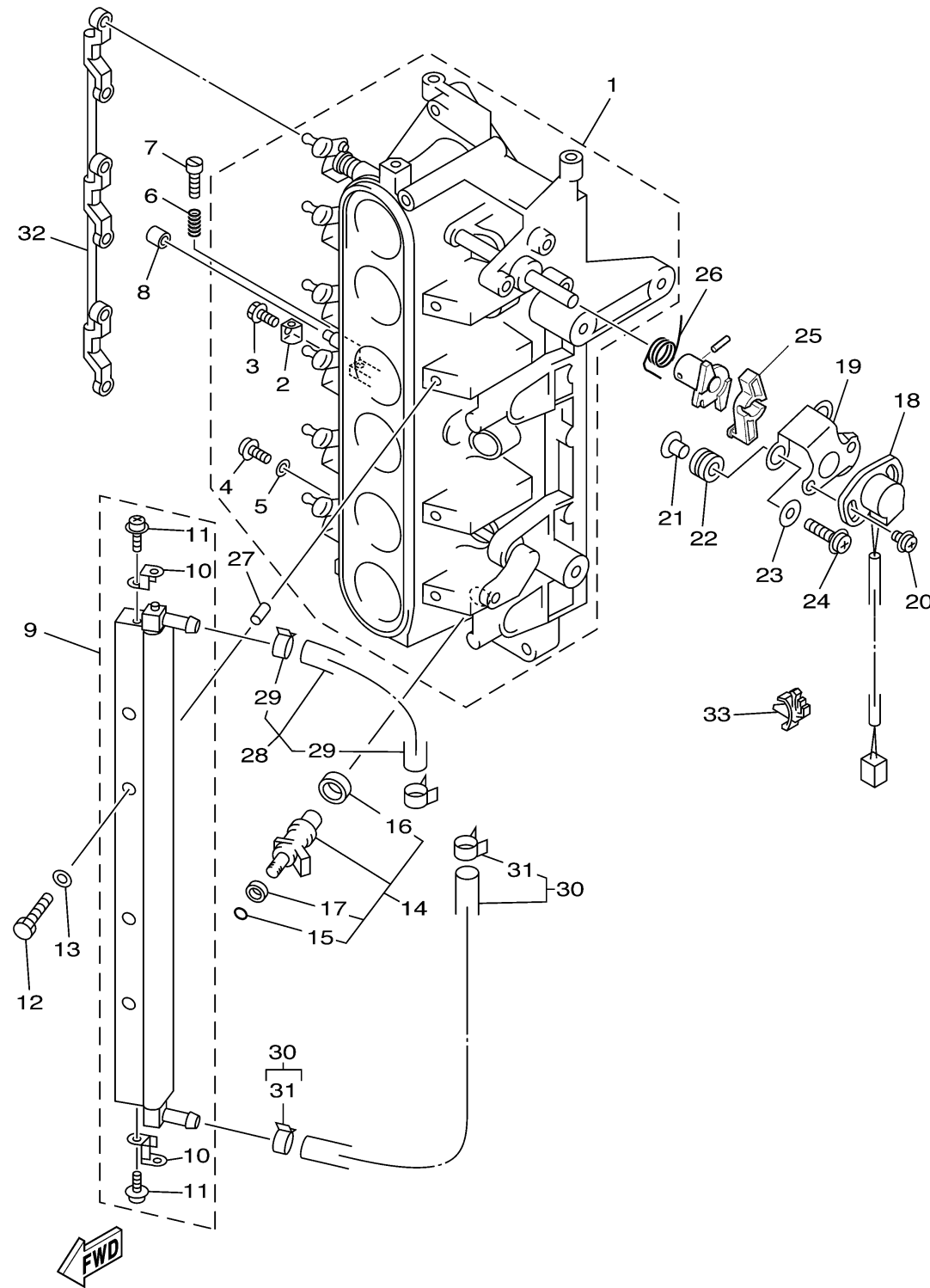


# FUEL INJECTION NOZZLE

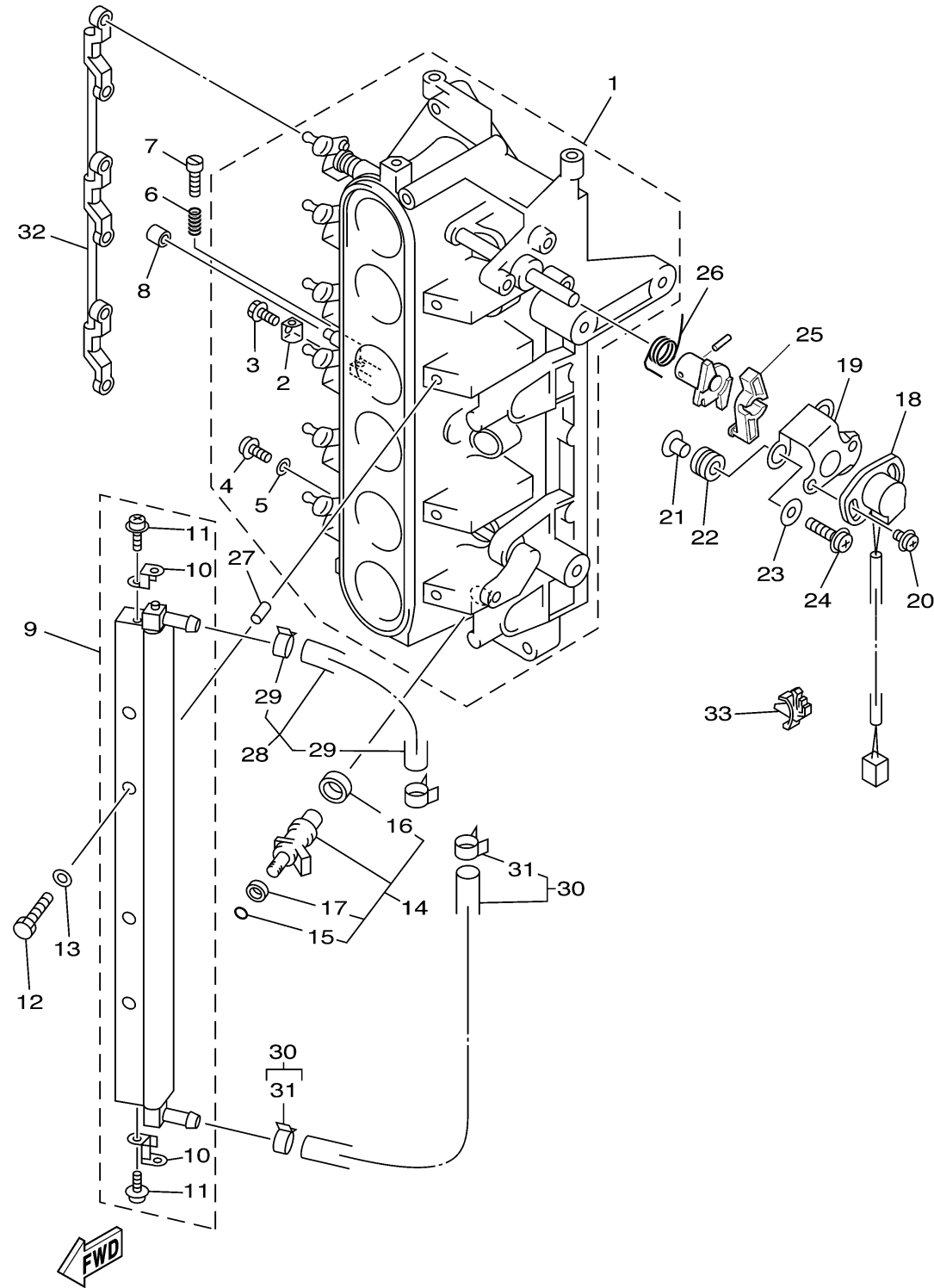


66X1010-2060  
Rev. 4-12-2012

Ref No.	Part Number	Description	Qty	Remarks
1	67H-13751-00-00	BODY, THROTTLE 1	1	
2	65L-14527-00-00	. .PLATE	1	
3	65L-14565-00-00	. SCREW	1	
4	6K5-14592-00-00	. .SCREW	6	
5	90201-05552-00	. .WASHER, PLATE	6	
6	65L-14334-00-00	.SPRING, AIR ADJUSTING	1	
7	65L-14523-00-00	.SCREW, STOP	1	
8	65L-14578-00-00	.COLLAR	1	
9	67H-13938-00-00	PIPE	1	
10	67H-13898-00-00	. .HOLDER	2	
11	65L-14565-00-00	. SCREW	2	
12	65L-13573-00-00	BOLT 1	4	
13	65L-13995-00-00	WASHER	4	
14	65L-13761-00-00	INJECTOR ASSY	6	
15	65L-13769-00-00	. .O-RING	1	
16	65L-13764-00-00	. .GASKET	1	
17	65L-13766-00-00	. .RUBBER, INJECTOR	1	
18	61A-85885-00-00	THROTTLE SENSOR ASSY	1	
19	6K7-85886-01-00	BRACKET	1	
20	97985-05212-00	SCREW, WITH WASHER	2	

CONTINUED ON NEXT FRAME >

# FUEL INJECTION NOZZLE



66X1010-2060  
Rev. 4-12-2012

Ref No.	Part Number	Description	Qty	Remarks
21	90387-05M00-00	COLLAR	3	
22	90480-10M23-00	GROMMET	3	
23	65L-14596-00-00	WASHER	3	
24	97985-05330-00	SCREW, WITH WASHER	3	
25	65L-14573-00-00	LEVER	1	
26	65L-14579-00-00	SPRING	1	
27	65L-13996-00-00	INSERT	2	
28	66K-13971-00-00	PIPE, FUEL 1	1	
29	65L-24387-00-00	. .CLIP	2	
30	67H-13972-00-00	PIPE, FUEL 2	1	
31	65L-24387-00-00	. .CLIP	2	
32	65L-41217-00-00	ROD, ACCEL. LEVER	1	
33	90464-04M12-00	CLAMP	1	