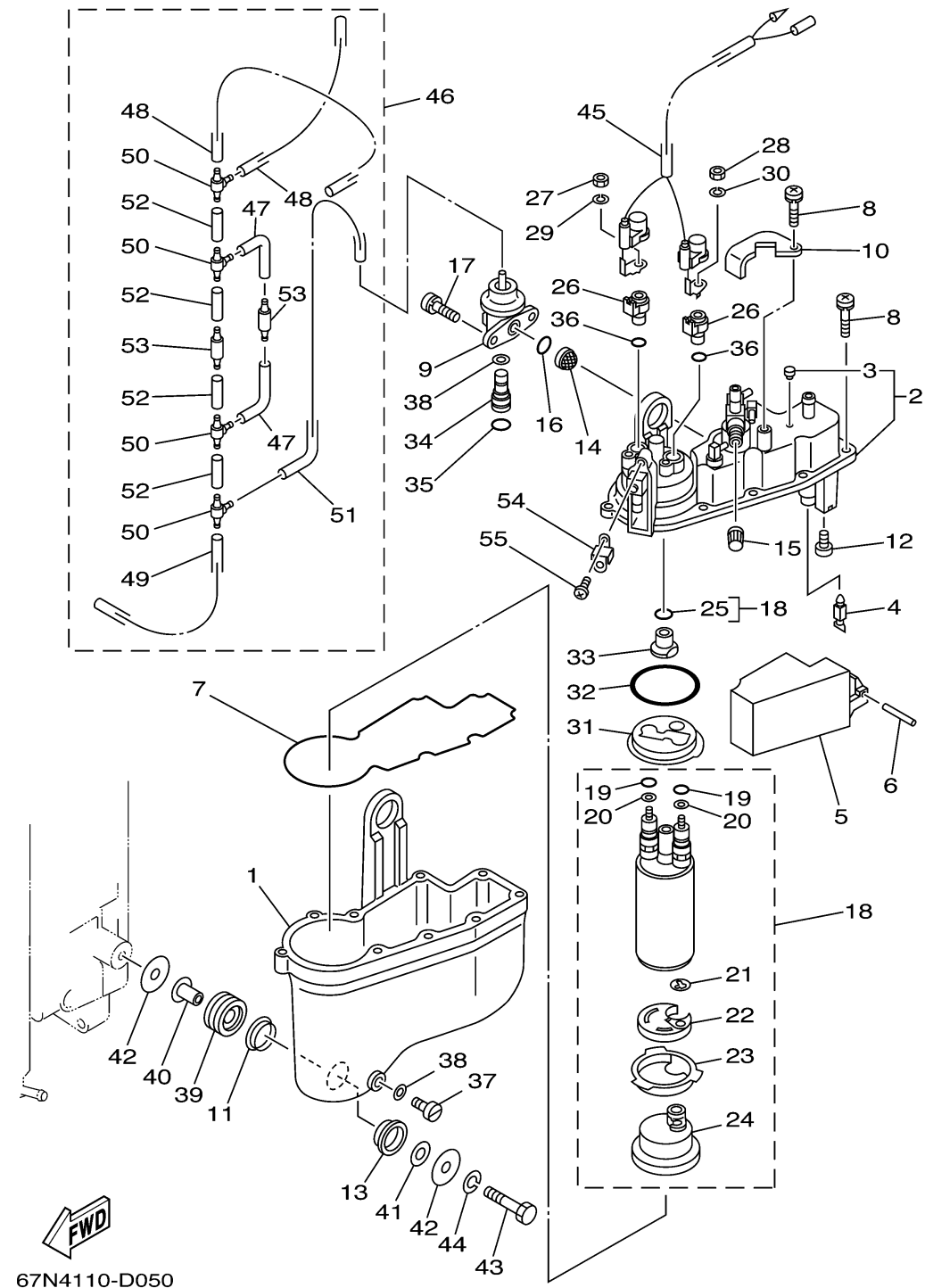


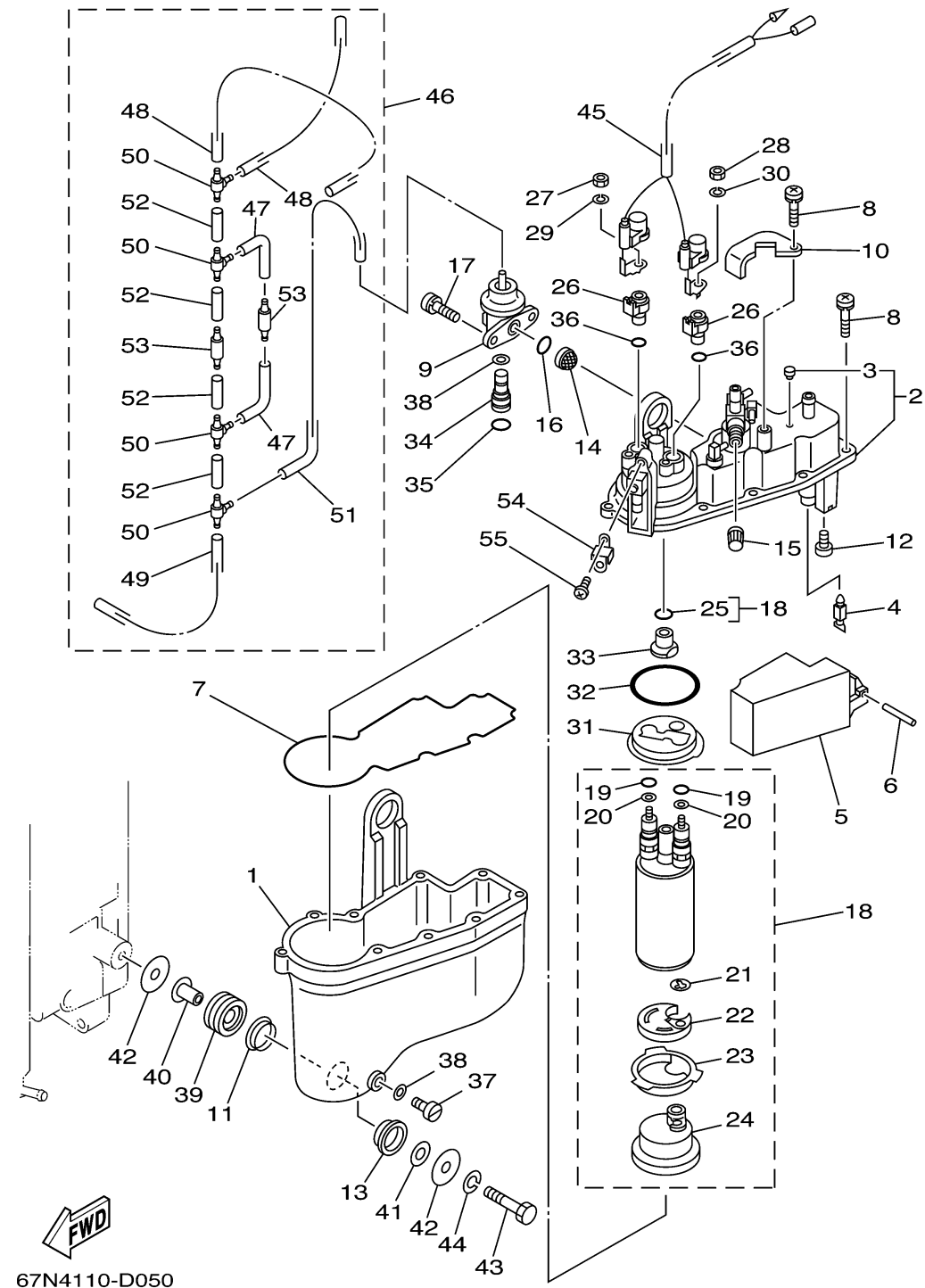
FUEL INJECTION PUMP



Ref No.	Part Number	Description	Qty	Remarks
1	66K-14980-00-00	BODY, FLOAT CHAMBER	1	
2	67H-14182-01-00	COVER, FLOAT CHAMBER	1	
3	67H-14225-00-00	. .CAP	1	
4	65L-14546-00-00	VALVE, NEEDLE	1	
5	66K-14985-00-00	FLOAT	1	
6	66K-14548-01-00	PIN, FLOAT ARM	1	
7	66K-14984-00-00	GASKET, FLOAT CHAMBER	1	
8	65L-14125-00-00	SCREW	10	
9	66K-13906-00-00	REGULATOR, PRESSURE	1	
10	66K-14255-00-00	PLATE	1	
11	66K-14239-00-00	SEAL	3	
12	66K-14325-01-00	SCREW, PAN HEAD	2	
13	66K-14163-00-00	SPACER	3	
14	65L-13905-00-00	FILTER COMP	1	
15	65L-14966-00-00	CAP	1	
16	65L-24486-00-00	O-RING	1	
17	66K-14245-00-00	SCREW, GUIDE	2	
18	67H-13907-00-00	FUEL PUMP COMP.	1	
19	65L-14227-00-00	. O-RING	2	
20	65L-14194-00-00	. RING	2	

CONTINUED ON NEXT FRAME >

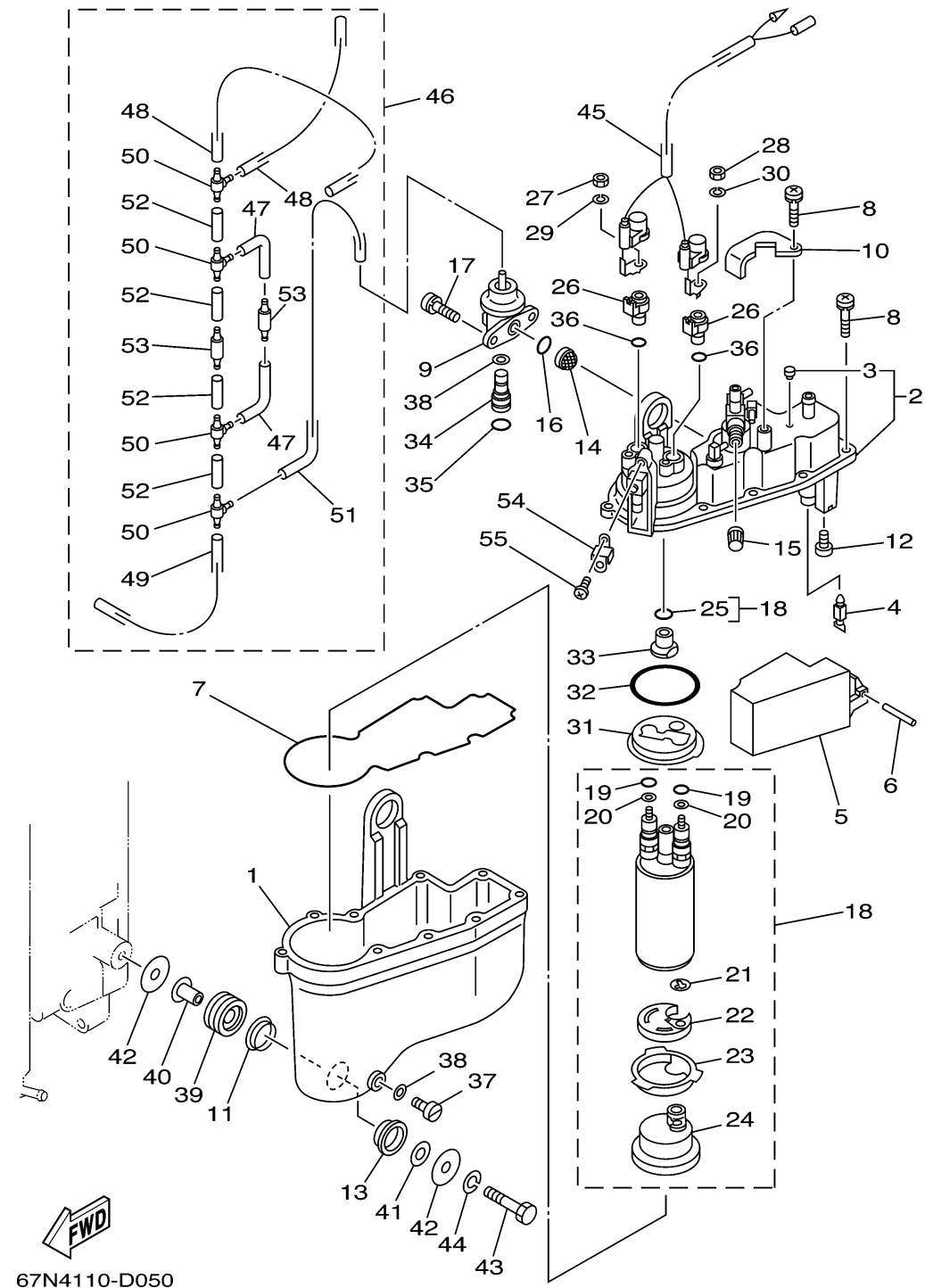
FUEL INJECTION PUMP



Ref No.	Part Number	Description	Qty	Remarks
21	65L-14159-00-00	. .CLIP	1	
22	66K-13781-00-00	. DAMPER, PUMP	1	
23	66K-13844-00-00	. PLATE 2	1	
24	66K-13915-00-00	. FILTER	1	
25	65L-1416A-00-00	. .O-RING	1	
26	66K-14271-00-00	INSULATOR	2	
27	65L-8182A-00-00	NUT	1	
28	65L-8182K-00-00	NUT	1	
29	65L-8182E-00-00	WASHER	1	
30	65L-8182F-00-00	WASHER	1	
31	66K-13843-00-00	PLATE 1	1	
32	65L-14147-00-00	O-RING	1	
33	65L-14274-00-00	CONNECTOR	1	
34	66K-24376-00-00	PIPE, JOINT 1	1	
35	66K-24489-00-00	O-RING	1	
36	65L-14397-00-00	O-RING	3	
37	65L-14992-00-00	SCREW, DRAIN	1	
38	65L-14997-00-00	SEAL	2	
39	65L-24375-00-00	GROMMET	3	
40	65L-24397-00-00	COLLAR	3	

CONTINUED ON NEXT FRAME >

FUEL INJECTION PUMP



Ref No.	Part Number	Description	Qty	Remarks
41	65L-24576-00-00	WASHER	3	
42	66K-24579-00-00	WASHER 2	6	
43	65L-24592-00-00	BOLT	3	
44	65L-24169-00-00	WASHER, LOCK	3	
45	67H-82507-00-00	WIRE, LEAD	1	
46	67H-13490-00-00	RELIEF VALVE ASSY	1	
47	66K-13542-00-00	. HOSE, VACUUM SENSING 1	2	
48	67H-13544-00-00	. .HOSE, VACUUM SENSING 2	2	
49	67H-13532-00-00	. .HOSE, VACUUM SENSING 3	1	
50	65L-24461-00-00	. PIPE, JOINT	4	
51	67H-13533-00-00	. .HOSE, VACUUM SENSING 4	1	
52	67H-13534-00-00	. .HOSE, VACUUM SENSING 5	4	
53	67H-13183-00-00	. .VALVE, CHECK	2	
54	66K-13898-00-00	HOLDER	1	
55	65L-14565-00-00	SCREW	1	