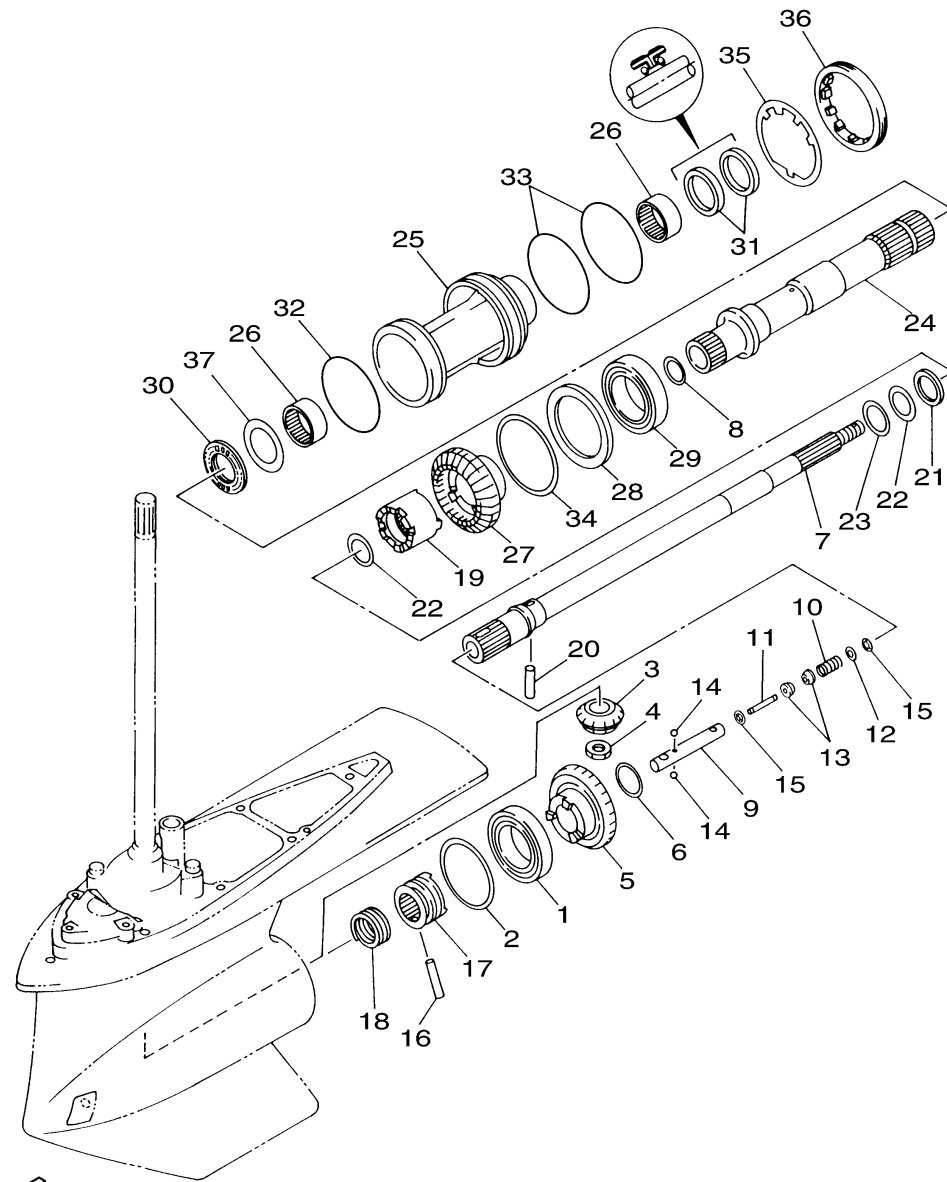


# LOWER CASING DRIVE 2A



67N4110-D250

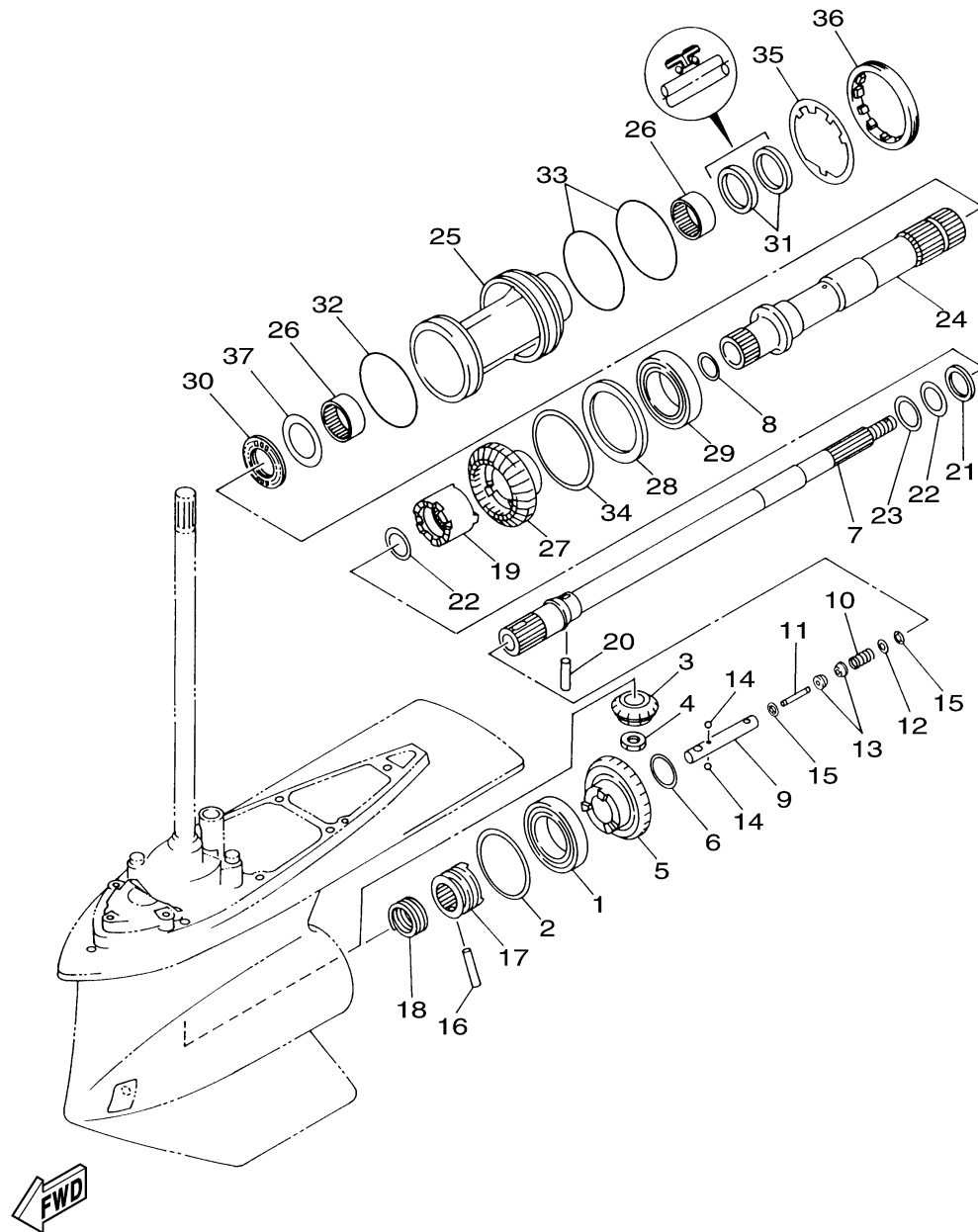
Ref No.	Part Number	Description	Qty	Remarks
1	93332-00048-00	BEARING	1	
2	6G5-45567-20-00	SHIM (T:0.15MM)	1	UR
2	6G5-45567-10-00	SHIM (T:0.12MM)	1	UR
2	6G5-45567-01-00	SHIM (T:0.10MM)	1	UR
2	6G5-45567-40-00	SHIM (T:0.30MM)	1	UR
2	6G5-45567-50-00	SHIM (T:0.40MM)	1	UR
2	6G5-45567-60-00	SHIM (T:0.50MM)	1	UR
2	6G5-45567-30-00	SHIM (T:0.18MM)	1	UR
3	65N-45551-00-00	PINION (13T)	1	
4	90170-16M01-00	NUT	1	
5	65N-45560-00-00	GEAR 1 (26T)	1	
6	90201-35M02-00	WASHER, PLATE	1	
7	65N-45611-00-00	SHAFT, PROPELLER	1	
8	90201-28M03-00	WASHER, PLATE	1	
9	65N-45634-00-00	SLIDE, SHIFT	1	
10	90501-10M77-00	SPRING, COMPRESSION	1	
11	6H1-45668-00-00	SHAFT, FREE 1	1	
12	90201-02M00-00	WASHER, PLATE	1	
13	61A-45635-00-00	PLUNGER, SHIFT	2	
14	93501-04011-00	.BALL	2	

CONTINUED ON NEXT FRAME >

# LOWER CASING DRIVE 2A

Ref No.	Part Number	Description	Qty	Remarks
15	90183-02M03-00	NUT, SPRING	2	
16	90250-08M07-00	PIN, STRAIGHT	1	
17	65N-45631-00-00	CLUTCH, DOG	1	
18	6E5-45633-01-00	RING, CROSS PIN	1	
19	65N-45631-10-00	CLUTCH, DOG	1	
20	93606-42M22-00	PIN, DOWEL	1	
21	90387-32M00-00	COLLAR	1	
22	90201-36M00-00	WASHER, PLATE	2	
23	93440-36M09-00	CIRCLIP	1	
24	65N-45611-50-00	SHAFT, PROPELLER	1	
25	65N-45332-00-94	HOUSING, BEARING	1	
26	93317-445U9-00	BEARING	2	
27	65N-45570-00-00	GEAR 2 (26T)	1	
28	65N-45576-00-00	WASHER, THRUST	1	
29	93332-00048-00	BEARING	1	
30	93341-445V3-00	BEARING	1	
31	93101-45M59-00	.OIL SEAL	2	
32	93210-98M33-00	.O-RING	1	
33	93211-03MH9-00	.O-RING	2	
34	65N-45577-60-00	SHIM (T:0.50MM)	1	UR

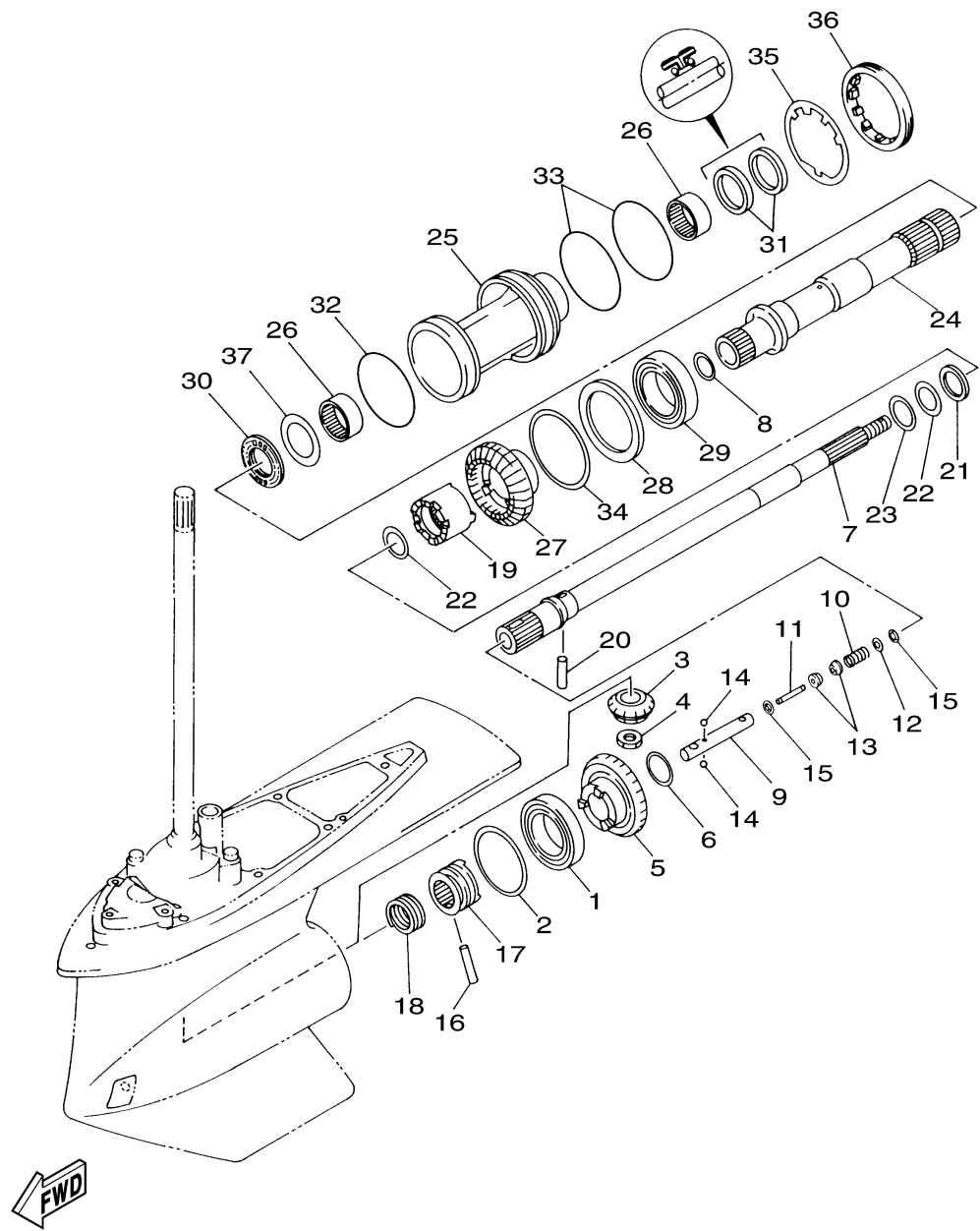
CONTINUED ON NEXT FRAME >



67N4110-D250

# LOWER CASING DRIVE 2A

Ref No.	Part Number	Description	Qty	Remarks
34	65N-45577-50-00	SHIM (T:0.40MM)	1	UR
34	65N-45577-40-00	SHIM (T:0.30MM)	1	UR
34	65N-45577-30-00	SHIM (T:0.18MM)	1	UR
34	65N-45577-20-00	SHIM (T:0.15MM)	1	UR
34	65N-45577-10-00	SHIM (T:0.12MM)	1	UR
34	65N-45577-00-00	SHIM (T:0.10MM)	1	UR
35	65N-45383-00-00	WASHER, CLAW	1	
36	65N-45384-00-00	NUT	1	
37	65N-45578-60-00	SHIM (T:0.50MM)	1	UR
37	65N-45578-20-00	SHIM (T:0.15MM)	1	UR
37	65N-45578-30-00	SHIM (T:0.18MM)	1	UR
37	65N-45578-00-00	SHIM (T:0.10MM)	1	UR
37	65N-45578-50-00	SHIM (T:0.40MM)	1	UR
37	65N-45578-40-00	SHIM (T:0.30MM)	1	UR
37	65N-45578-10-00	SHIM (T:0.12MM)	1	UR



67N4110-D250