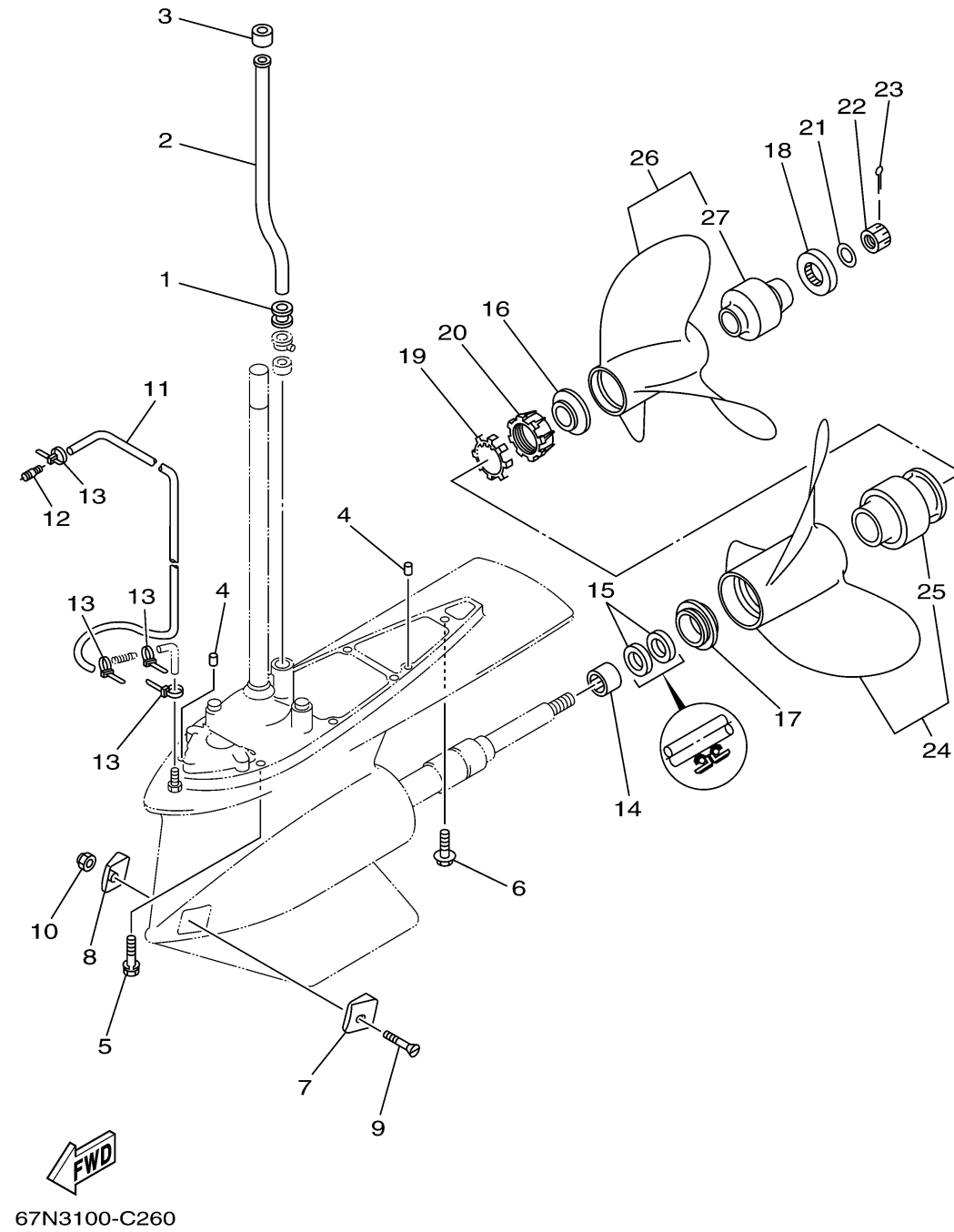


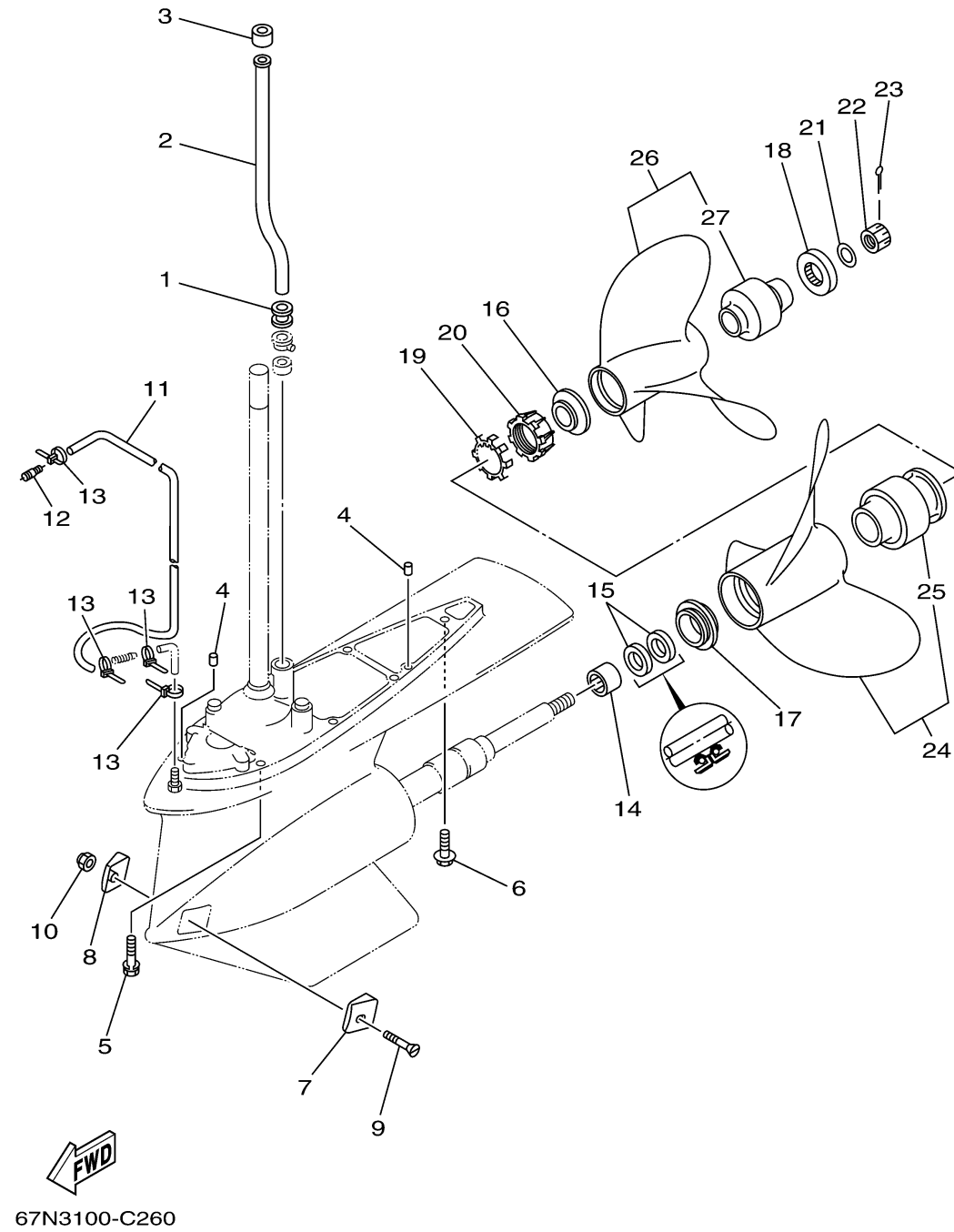
LOWER CASING DRIVE 2B



Ref No.	Part Number	Description	Qty	Remarks
1	6E5-44366-00-00	DAMPER, WATER SEAL 2	1	
2	6E5-44361-00-00	TUBE, WATER 1	1	L
3	6E5-44365-00-00	DAMPER, WATER SEAL 1	1	
4	93608-12M05-00	PIN, DOWEL	2	
5	90101-10M70-00	BOLT	6	
6	97575-10435-00	BOLT, WITH WASHER	1	
7	65N-45214-00-00	COVER, WATER INLET	1	
8	65N-45215-00-00	COVER, WATER INLET	1	
9	90142-05M07-00	SCREW, COUNTERSUNK	1	
10	90185-05002-00	NUT, NYLON	1	
11	90445-07M33-00	HOSE (L1080)	1	
12	6E5-83558-00-00	END, NIPPLE	1	
13	90465-11M10-00	CLAMP	4	
14	93317-428U8-00	BEARING	1	
15	93101-28M67-00	.OIL SEAL	2	
16	65N-45987-00-00	SPACER	1	
17	65N-45997-00-00	SPACER	1	
18	688-45997-01-00	SPACER 2	1	
19	65N-45994-00-00	PLATE, TOOTH	1	
20	65N-45616-00-00	NUT, PROPELLER	1	

CONTINUED ON NEXT FRAME >

LOWER CASING DRIVE 2B



Ref No.	Part Number	Description	Qty	Remarks
21	92990-18200-00	WASHER	1	
22	90171-18M04-00	NUT, CASTLE	1	
23	91490-40030-00	PIN. COTTER	1	
24	65N-45945-00-00	PROPELLER, FRONT (27" X 14"-MF)	1	UR
24	65N-45941-00-00	PROPELLER, FRONT (25" X 14"-MF)	1	UR
25	65N-45981-00-00	. DAMPER RUBBER, PROPELLER	1	
26	65N-45947-00-00	PROPELLER, REAR (27" X 13"-MR)	1	UR
26	65N-45943-00-00	PROPELLER, REAR (25" X 13"-MR)	1	UR
27	6G5-45981-00-00	. DAMPER RUBBER, PROPELLER	1	