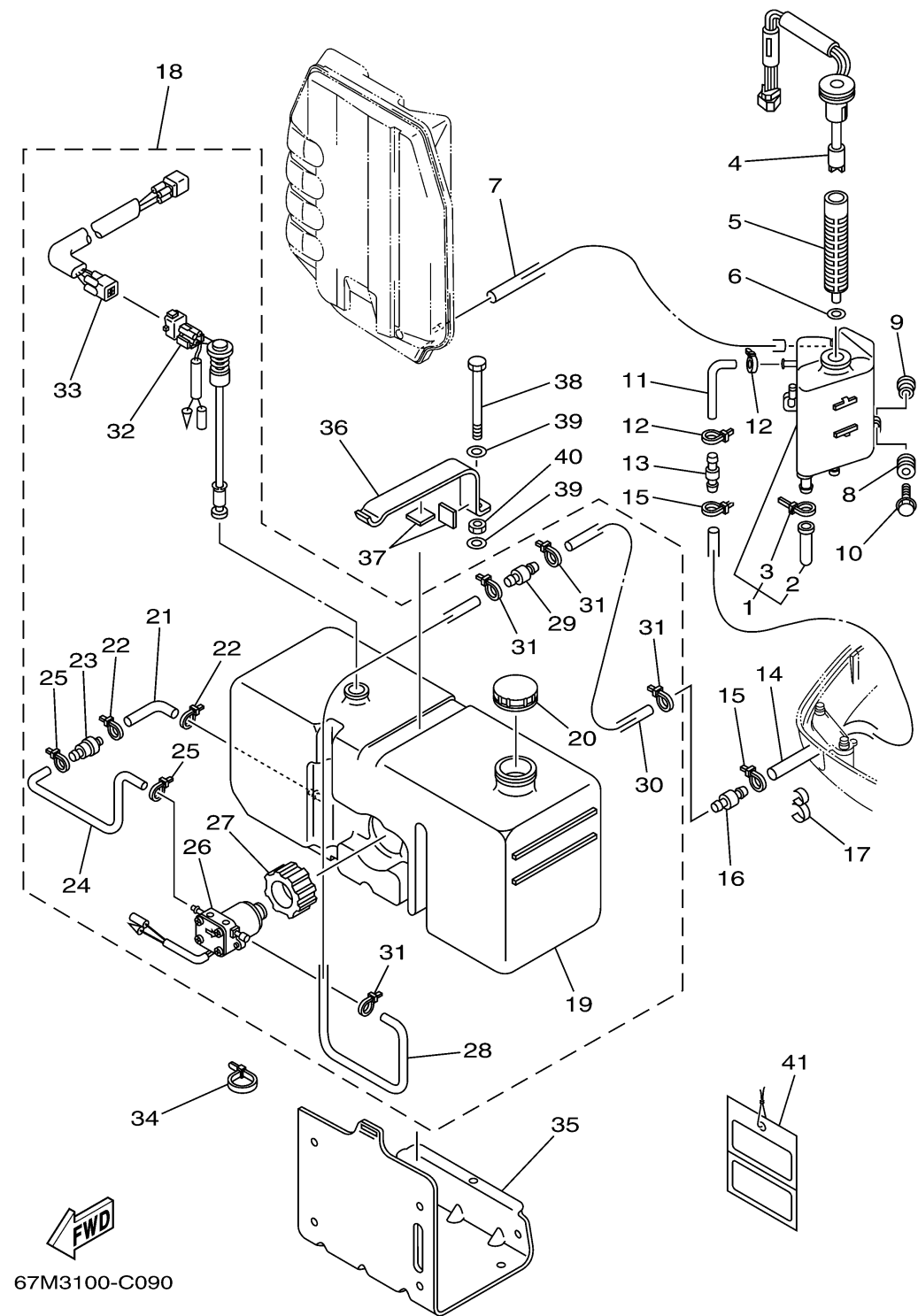


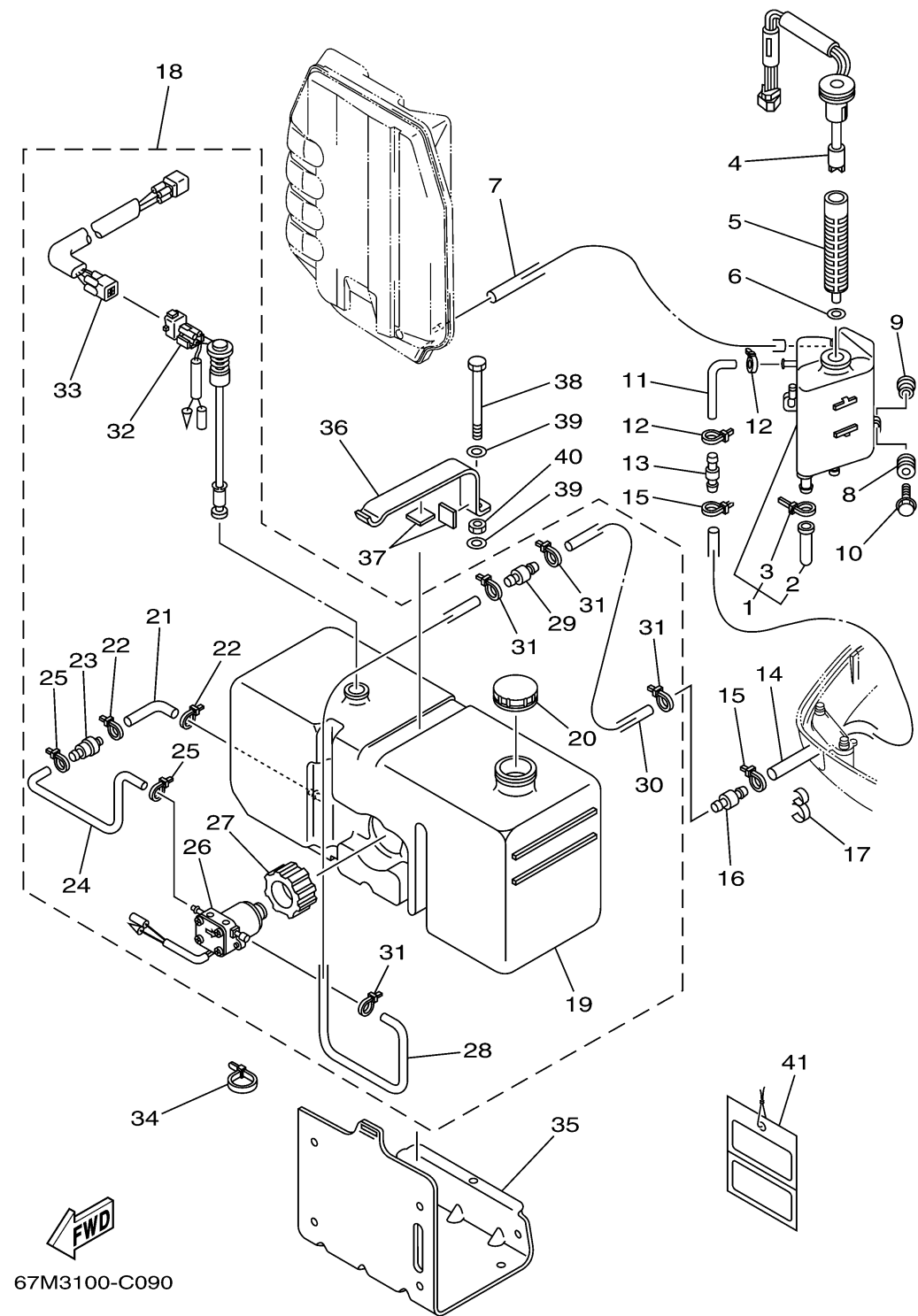
OIL TANK



Ref No.	Part Number	Description	Qty	Remarks
1	6E5-21750-05-00	OIL TANK ASSY	1	
2	6E5-13448-00-00	..CAP	1	
3	90465-13M11-00	. CLAMP	1	
4	67H-85730-01-00	OIL LEVEL GAUGE ASSY	1	
5	6E5-13411-00-00	STRAINER, OIL	1	
6	6E5-13414-00-00	GASKET, STRAINER COVER	1	
7	90445-05M08-00	HOSE (L550)	1	
8	6A0-82317-00-00	DAMPER, IGNITION COIL	3	
9	624-42542-00-00	PIPE	3	
10	90119-06M65-00	BOLT, WITH WASHER	3	
11	64E-24323-00-00	PIPE 12	1	
12	90465-11M10-00	CLAMP	2	
13	6E5-24379-00-00	PIPE, JOINT 4	1	
14	90445-12207-00	HOSE (L2400)	1	
15	90465-11M10-00	CLAMP	2	
16	6E5-24379-00-00	PIPE, JOINT 4	1	
17	90464-13M34-00	CLAMP	1	
18	61A-21708-10-00	OIL TANK SUB-ASSY	1	AP
19	6E5-21733-10-00	..SUB TANK, OIL (18L)	1	
20	6E5-21770-03-00	..OIL TANK CAP ASSY	1	

CONTINUED ON NEXT FRAME >

OIL TANK



Ref No.	Part Number	Description	Qty	Remarks
21	6E5-24322-10-00	. .PIPE 11	1	
22	90465-11M10-00	. CLAMP	2	
23	646-24251-02-00	. .STRAINER 1	1	
24	6E5-24319-10-00	. .PIPE, OIL	1	
25	90465-11M10-00	. CLAMP	2	
26	6E5-81900-01-00	. .OIL FEED PUMP ASSY	1	
27	6E5-81922-00-00	. .GROMMET	1	
28	6E5-24321-01-00	. .PIPE 10	1	
29	6E5-24379-00-00	. PIPE, JOINT 4	1	
30	90445-11M26-00	. .HOSE (L6500)	1	
31	90465-11M10-00	. CLAMP	4	
32	6E5-85720-05-00	. .OIL LEVEL GAUGE ASSY	1	
33	6R3-85721-80-00	. .WIRE, LEAD (L=8.0M)	1	
34	90465-13M11-00	CLAMP	1	AP
35	6E5-21734-01-33	HOLDER, OIL SUB TANK	1	AP
36	6E5-21798-01-33	BRACKET, DAMPER	1	AP
37	6E5-21746-00-00	DAMPER	2	AP
38	97080-06100-00	BOLT	1	AP
39	92990-06600-00	WASHER, PLATE	2	AP
40	95380-06600-00	NUT, HEXAGON	1	AP

CONTINUED ON NEXT FRAME >

OIL TANK

Ref No.	Part Number	Description	Qty	Remarks
41	61H-2819R-31-00	TAG, WARNING	1	

