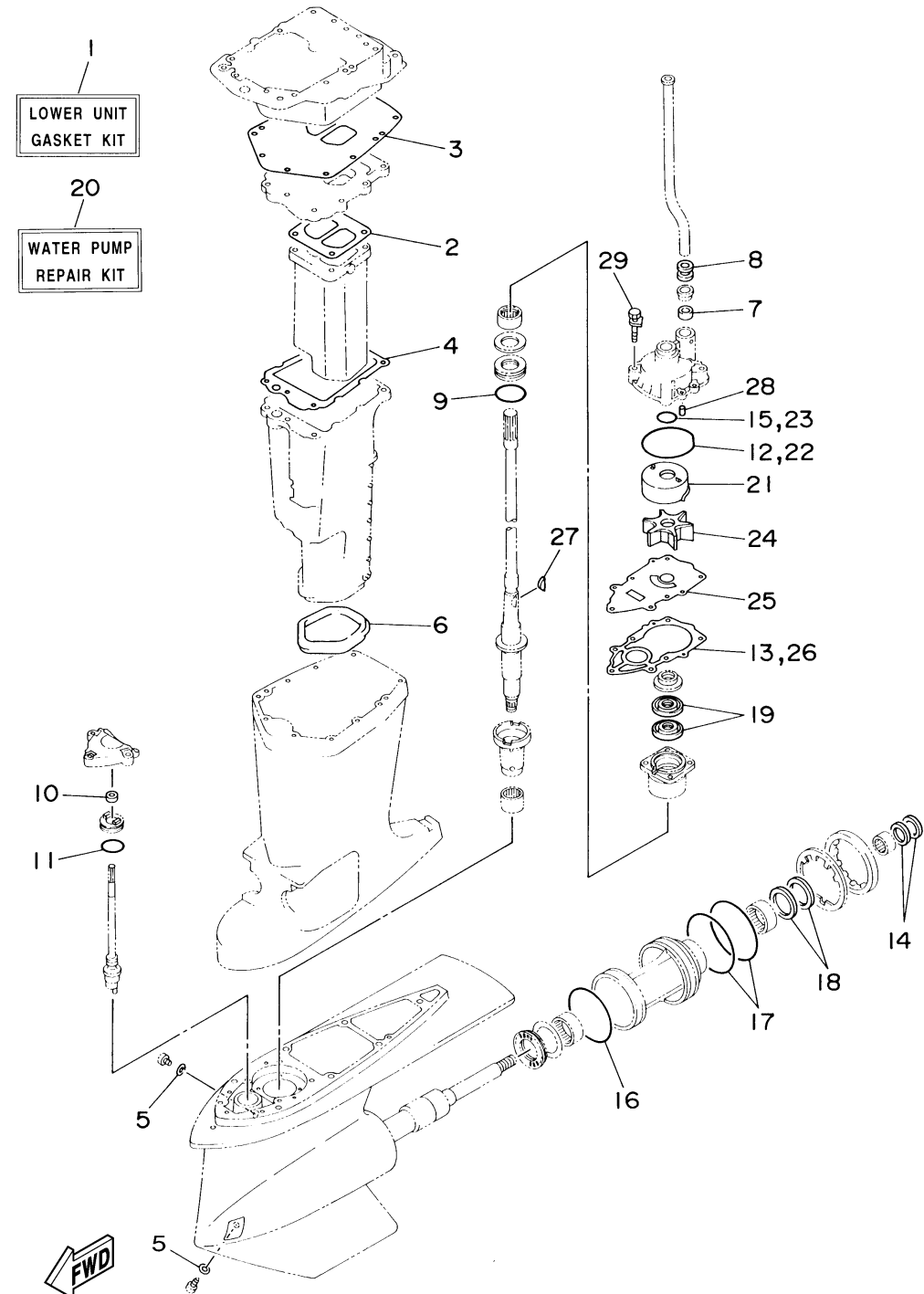


65N0010-7250

# REPAIR KIT 2

Ref No.	Part Number	Description	Qty	Remarks
1	65N-W0001-21-00	LOWER UNIT GASKET KIT	1	
2	6G5-41134-A1-00	. .GASKET, EXHAUST MANIFOLD	1	
3	6G5-45114-A1-00	. .GASKET, UPPER CASING	1	
4	6E5-41135-A0-00	. .GASKET, EXHAUST MANIFOLD	1	
5	90430-08020-00	. .GASKET	2	
6	6E5-45123-00-00	. .GASKET, MUFFLER	1	
7	6E5-44365-00-00	. DAMPER, WATER SEAL 1	1	
8	6E5-44366-00-00	. DAMPER, WATER SEAL 2	1	
9	93210-55M14-00	. .O-RING	1	
10	93106-09014-00	. .OIL SEAL	1	
11	93210-33M49-00	. .O-RING	1	
12	93210-86M38-00	. .O-RING	1	
13	65N-44315-A0-00	. GASKET, WATER PUMP	1	
14	93101-28M67-00	. .OIL SEAL	2	
15	93210-37160-00	. .O-RING	1	
16	93210-98M33-00	. .O-RING	1	
17	93211-03MH9-00	. .O-RING	2	
18	93101-45M59-00	. .OIL SEAL	2	
19	93101-28M16-00	. .OIL SEAL	2	
20	65N-W0078-A1-00	WATER PUMP REPAIR KIT	1	

CONTINUED ON NEXT FRAME >



65N0010-7250

# REPAIR KIT 2

Ref No.	Part Number	Description	Qty	Remarks
21	61A-44322-02-00	. .INSERT, CARTRIDGE	1	
22	93210-86M38-00	. .O-RING	1	
23	93210-37160-00	. .O-RING	1	
24	6E5-44352-01-00	. .IMPELLER	1	
25	65N-44323-00-00	. .OUTER PLATE, CARTRIDGE	1	
26	65N-44315-A0-00	. .GASKET, WATER PUMP	1	
27	90280-04M05-00	. .KEY, WOODRUFF	1	
28	93606-12019-00	. .PIN, DOWEL	2	
29	90119-08M14-00	. .BOLT, WITH WASHER	4	