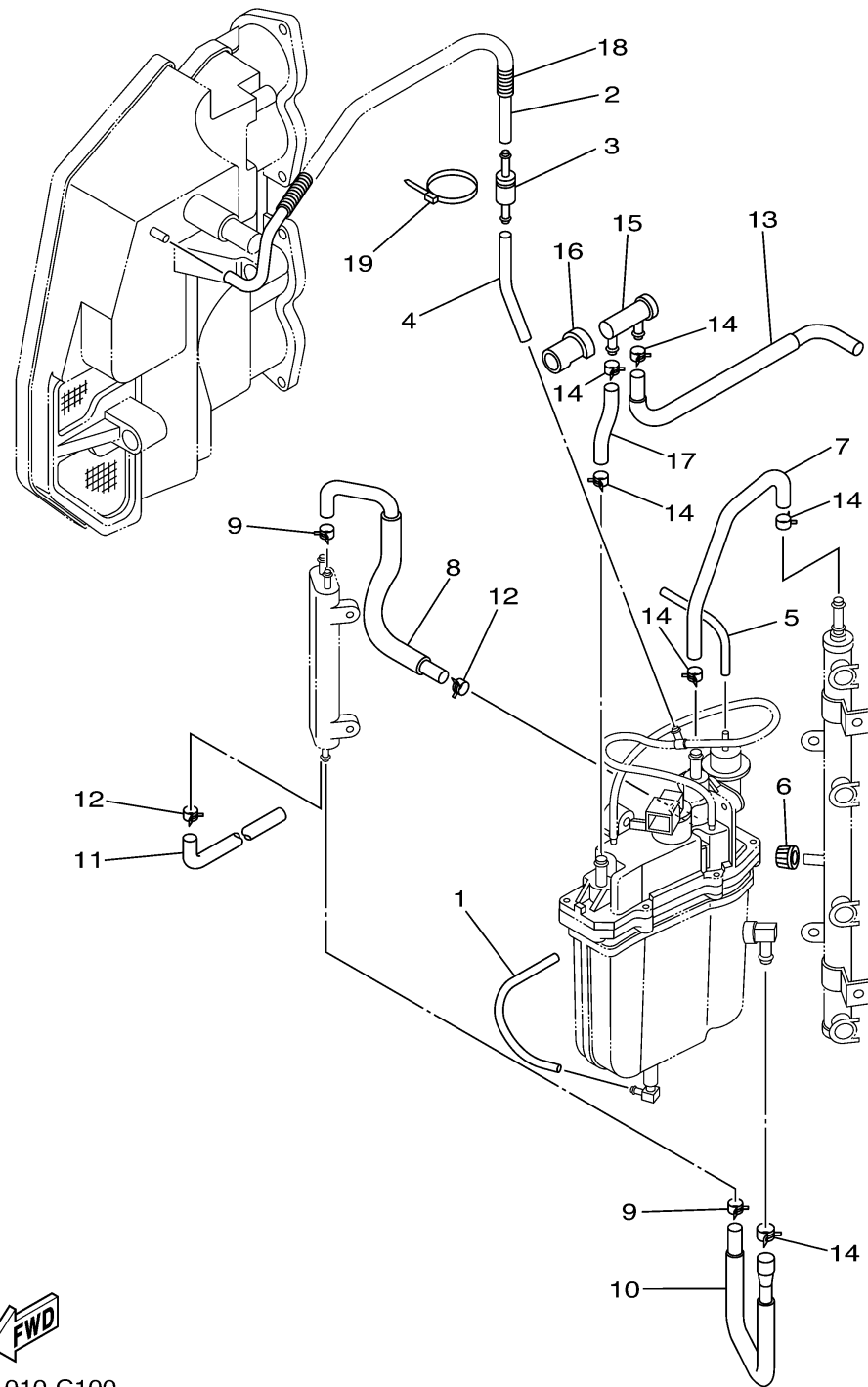


## FUEL INJECTION PUMP 2



  
63P1010-C100

Ref No.	Part Number	Description	Qty	Remarks
1	63P-14149-00-00	PIPE	1	
2	63P-1441J-00-00	PIPE, SILENCER	1	
3	63P-24460-00-00	RELIEF VALVE ASSY	1	
4	63P-14197-00-00	PIPE	1	
5	63P-13532-00-00	.HOSE, VACUUM SENSING 3	1	
6	63P-14225-00-00	.CAP	1	
7	63P-13974-00-00	PIPE, FUEL 4	1	
8	63P-13976-00-00	PIPE, FUEL 6	1	
9	68V-2411M-00-00	CLIP	2	
10	63P-24317-00-00	PIPE 7	1	
11	63P-22478-00-00	PIPE 2	1	
12	68V-24519-00-00	CLIP	2	
13	63P-24325-00-00	PIPE 14	1	
14	68V-13577-00-00	.CLIP	6	
15	69J-24501-00-00	FILTER, FUEL	1	
16	69J-24599-00-00	CAP	1	
17	63P-13975-00-00	PIPE, FUEL 5	1	
18	63P-13881-00-00	COVER 1	1	
19	68V-2481H-00-00	CLAMP	1	