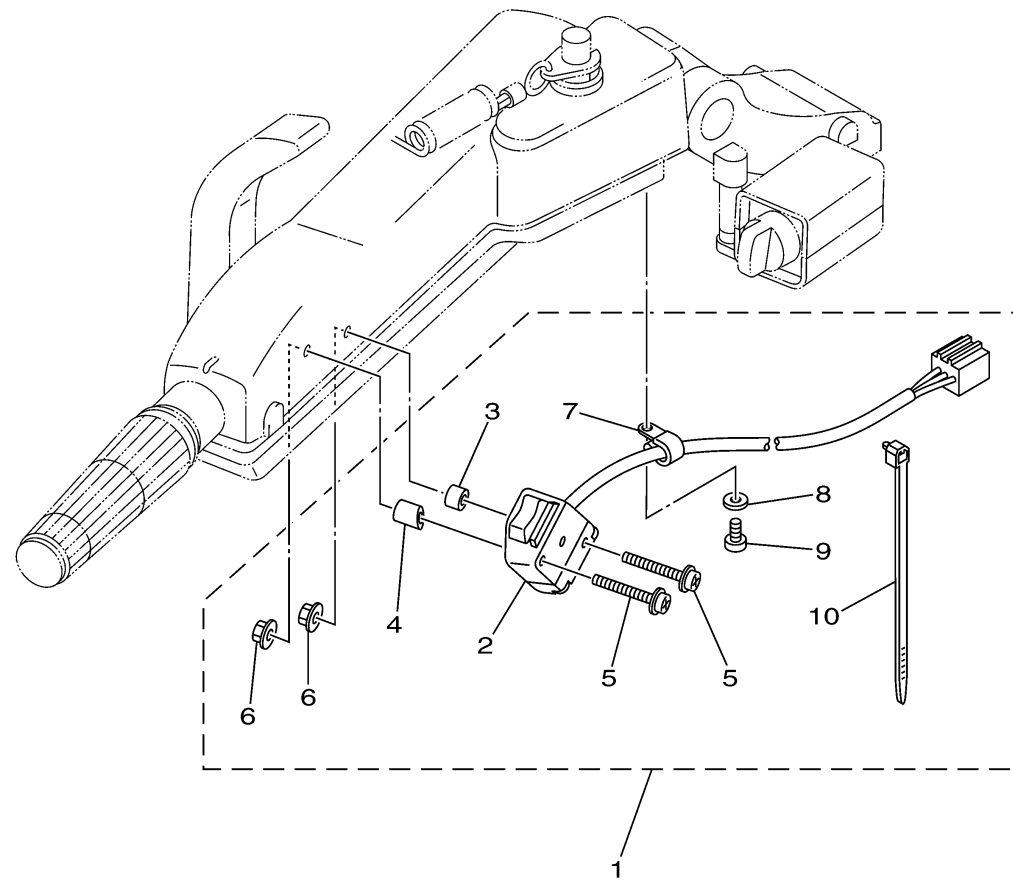


OPTIONAL PARTS

Ref No.	Part Number	Description	Qty	Remarks
1	6C5-W8186-00-00	VARIABLE TROLING RPM SW. KIT	1	AP
2	6C5-81860-00-00	. SWITCH ASSY	1	
3	6C5-23448-00-00	. SPACER	1	
4	6C5-23448-10-00	. SPACER	1	
5	90159-06018-00	. SCREW, WITH WASHER	2	
6	95780-06300-00	. NUT, FLANGE	2	
7	90465-06M86-00	. CLAMP	2	
8	90201-06028-00	. WASHER, PLATE	2	
9	97885-06016-00	. SCREW, PAN HEAD	2	
10	90465-13M24-00	. CLAMP	4	



6C11010-D330