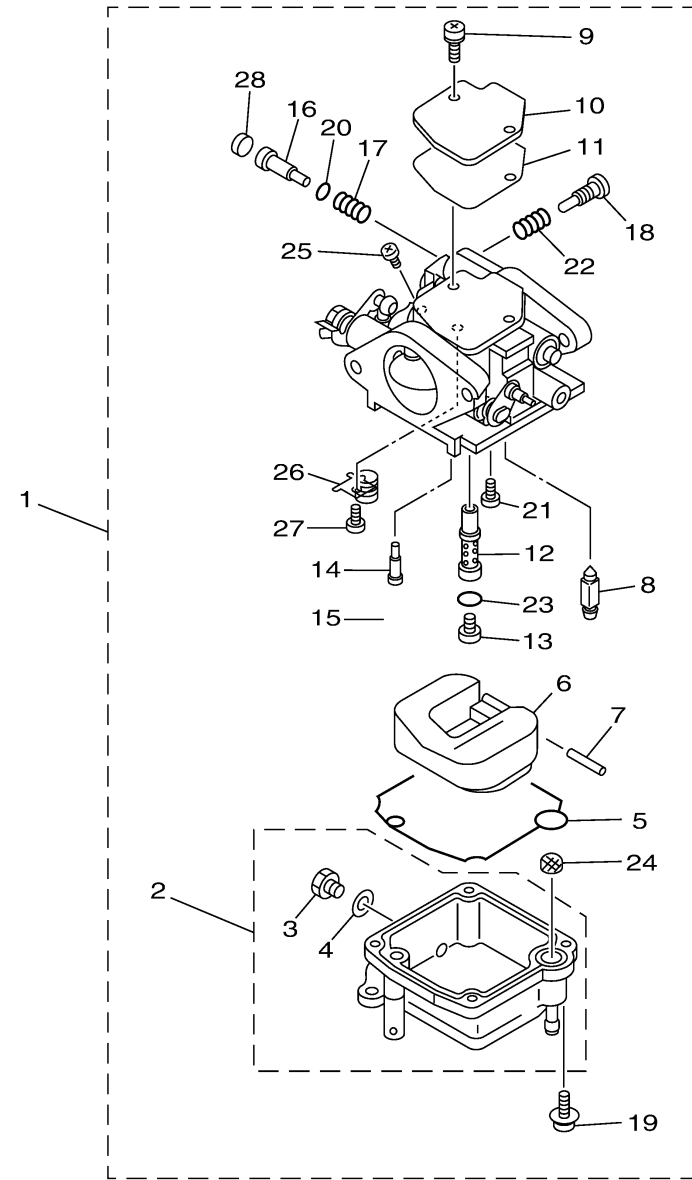


# CARBURETOR



Ref No.	Part Number	Description	Qty	Remarks
1	66N-14301-10-00	CARBURETOR ASSY 1	1	
2	66N-14381-00-00	. .BODY, FLOAT CHAMBER	1	
3	62Y-14383-00-00	. . SCREW, DRAIN	1	
4	66M-14398-00-00	. . GASKET	1	
5	66M-14384-00-00	. GASKET, FLOAT CHAMBER	1	
6	6L2-14385-00-00	. FLOAT	1	
7	6E5-14386-01-00	. PIN, FLOAT	1	
8	6L2-14392-00-00	. VALVE	1	
9	97980-04110-00	. .SCREW, WITH WASHER	2	
10	6L2-14157-00-00	. COVER, MIXING	1	
11	62Y-14399-00-00	. GASKET	1	
12	66N-14341-00-00	. .NOZZLE, MAIN	1	
13	66N-14343-34-00	. .JET, MAIN (# 68)	1	
14	66M-14342-23-00	. JET, PILOT (#45)	1	
15	62Y-14355-00-00	. .PLUG	1	
16	5H0-14323-00-00	. SCREW, AIR ADJUSTING	1	
17	30X-14334-00-00	. SPRING, AIR ADJUSTING	1	
18	62Y-14521-00-00	. . SCREW, THROTTLE	1	
19	97980-04112-00	. SCREW, WITH WASHER	4	
20	62Y-14397-00-00	. O-RING	1	

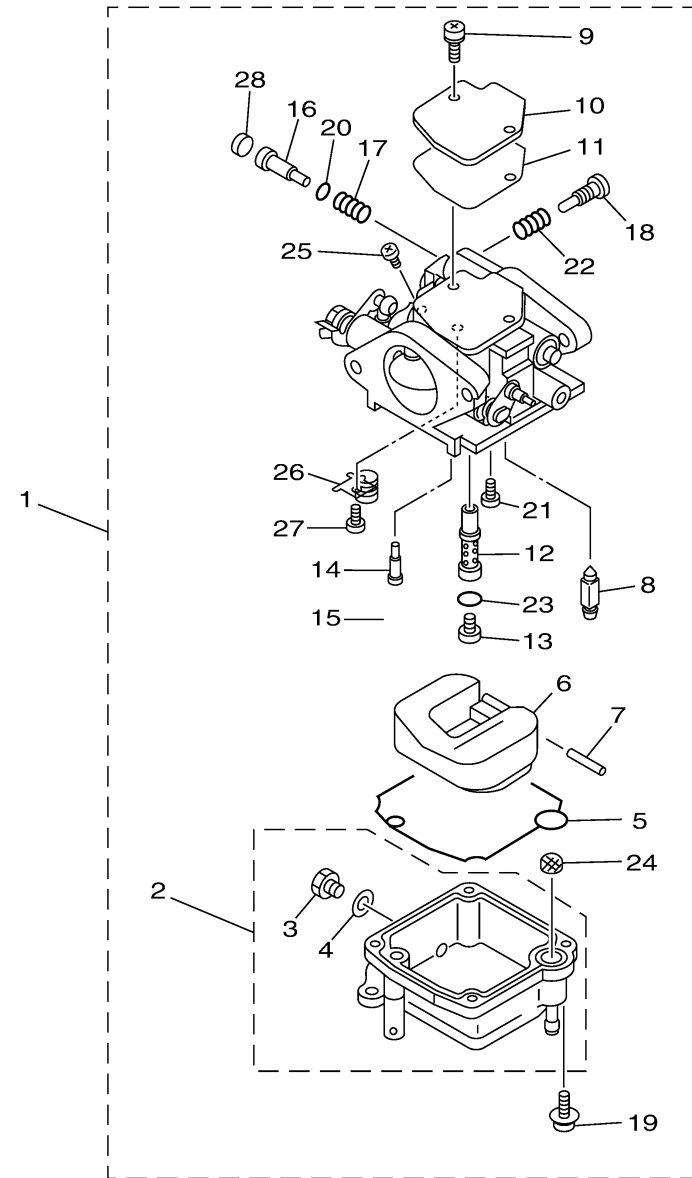
CONTINUED ON NEXT FRAME >



66N4110-D070  
Revised: 8-14-2017

# CARBURETOR

Ref No.	Part Number	Description	Qty	Remarks
21	98980-04006-00	. SCREW, BIND	1	
22	646-14212-01-00	. SPRING, PILOT ADJUSTING	1	
23	6F5-14397-00-00	. O-RING	1	
24	66M-14827-00-00	. FILTER	1	
25	97890-04005-00	. SCREW, PAN HEAD	1	
26	66M-14157-00-00	. PLATE	1	
27	98580-03005-00	. .SCREW, PAN HEAD	1	
28	6G8-1432A-00-00	. .PLUG	1	



66N4110-D070  
Revised: 8-14-2017