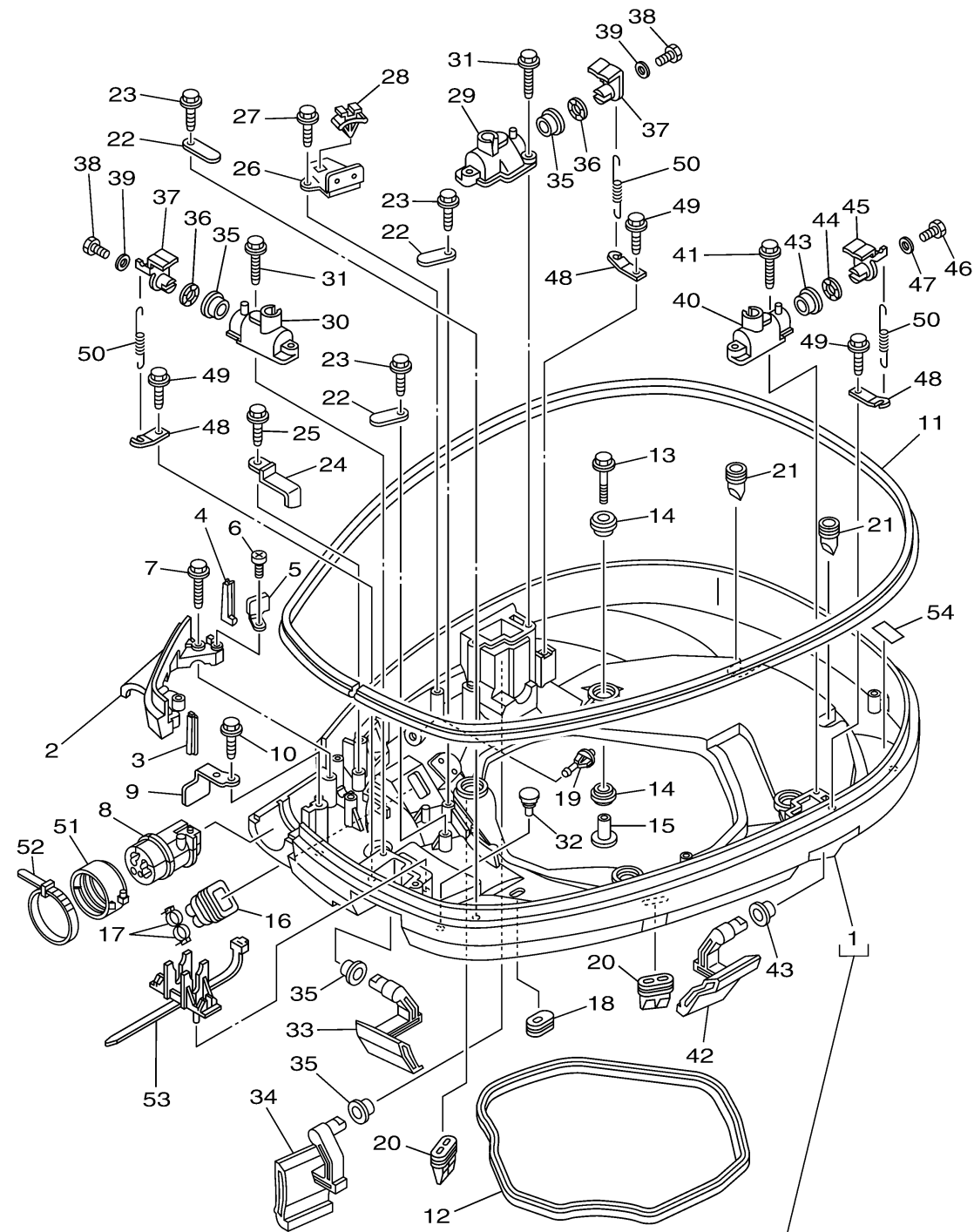


BOTTOM COWLING 1



BOTTOM COWLING 1, Ref. No. 7, 10, 27, 31, 41, 49
 ELECTRICAL 2, Ref. No. 13, 20
 CONTROL 1, Ref. No. 2

Ref No.	Part Number	Description	Qty	Remarks
1	69J-42710-01-8D	BOTTOM COWLING ASSY	1	
2	69J-42738-02-5B	PLATE, FITTING	1	
3	60L-42717-00-00	RUBBER, SEAL 2	1	
4	60L-42718-00-00	RUBBER, SEAL 3	1	
5	69J-42744-10-00	STAY	1	
6	97885-06010-00	SCREW, PAN HEAD	1	
7	90109-06M82-00	BOLT	2	
8	69J-42725-01-00	GROMMET	1	
9	64D-42738-10-5B	PLATE, FITTING	1	
10	90109-06M82-00	BOLT	1	
11	69J-42615-00-00	SEAL	1	
12	69J-42716-00-00	RUBBER, SEAL 1	1	
13	90119-08M22-00	BOLT, WITH WASHER	4	
14	90480-22M81-00	GROMMET	8	
15	90387-08M37-00	COLLAR	4	
16	6H1-42726-21-00	GROMMET	1	
17	90465-11M10-00	CLAMP	2	
18	61A-42727-00-00	GROMMET	1	
19	69J-44391-00-00	NIPPLE, HOSE	1	
20	69J-42717-00-00	RUBBER, SEAL 2	2	

CONTINUED ON NEXT FRAME >

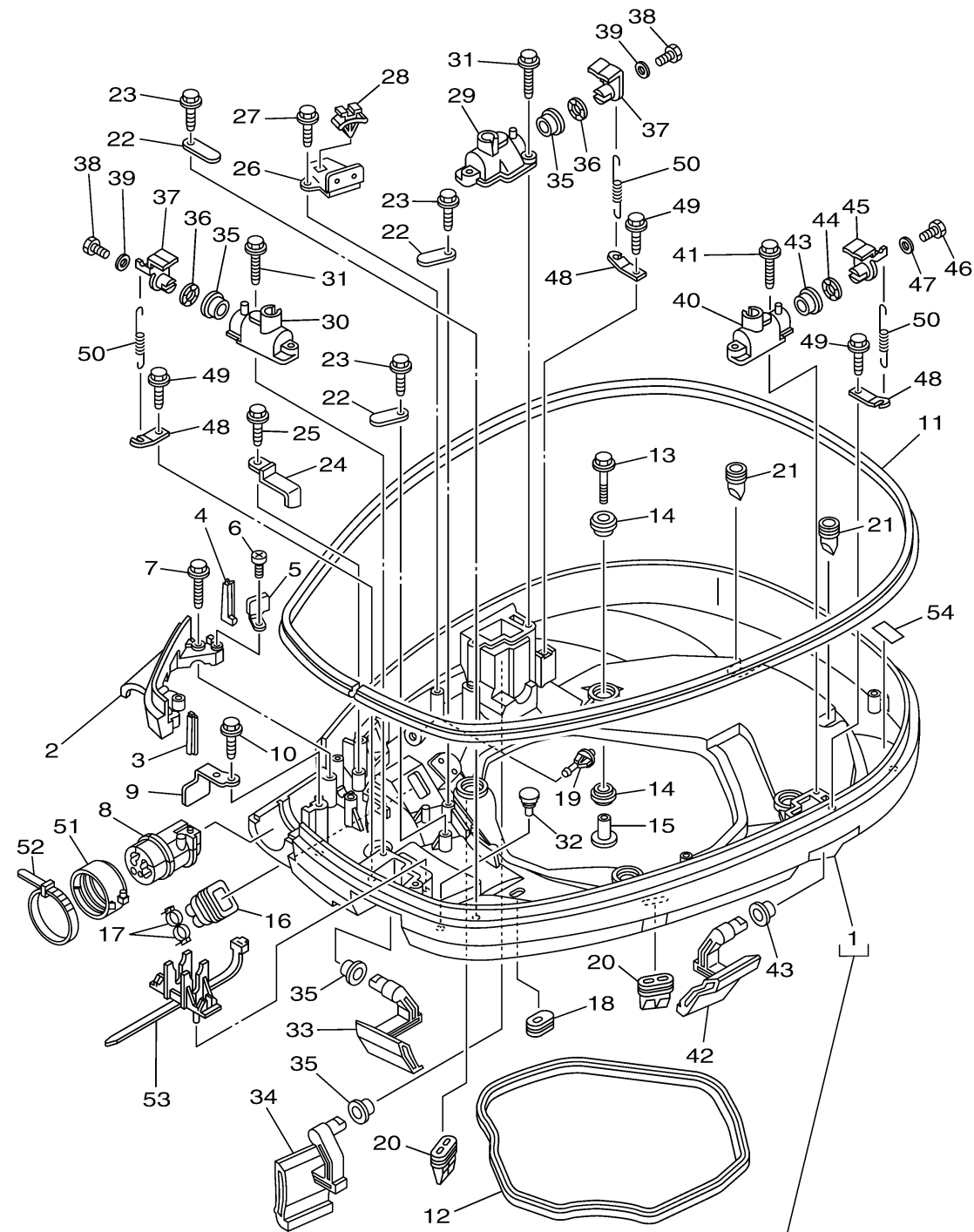


69J4110-D210

f200txrd_lf200txrd_25txrd_25turd_lf225tx

D12

BOTTOM COWLING 1



BOTTOM COWLING 1, Ref. No. 7, 10, 27, 31, 41, 49
 ELECTRICAL 2, Ref. No. 13, 20
 CONTROL 1, Ref. No. 2

Ref No.	Part Number	Description	Qty	Remarks
21	61A-42717-00-00	RUBBER, SEAL 2	2	
22	6E5-82588-00-00	PLATE	3	
23	90109-06M81-00	BOLT	3	
24	90462-20001-00	CLAMP	1	
25	90109-06M86-00	BOLT	1	
26	69J-82554-01-00	STAY, NEUTRAL SWITCH	1	
27	90109-06M86-00	BOLT	1	
28	90464-09M47-00	CLAMP	1	
29	68F-42828-00-5B	PLATE, CLAMP	1	
30	69J-42828-00-5B	PLATE, CLAMP	1	
31	90109-06M82-00	BOLT	4	
32	6H4-42748-00-00	GROMMET	2	
33	69J-42815-00-8D	LEVER, CLAMP	1	
34	69J-42817-00-8D	LEVER, CLAMP	1	
35	90386-15M73-00	BUSH	4	
36	90206-15M18-00	WASHER, WAVE	2	
37	68F-42818-01-00	LEVER, CLAMP	2	
38	97095-06020-00	BOLT	2	
39	90201-06068-00	WASHER, PLATE	2	
40	69J-42828-10-94	PLATE, CLAMP	1	

CONTINUED ON NEXT FRAME >

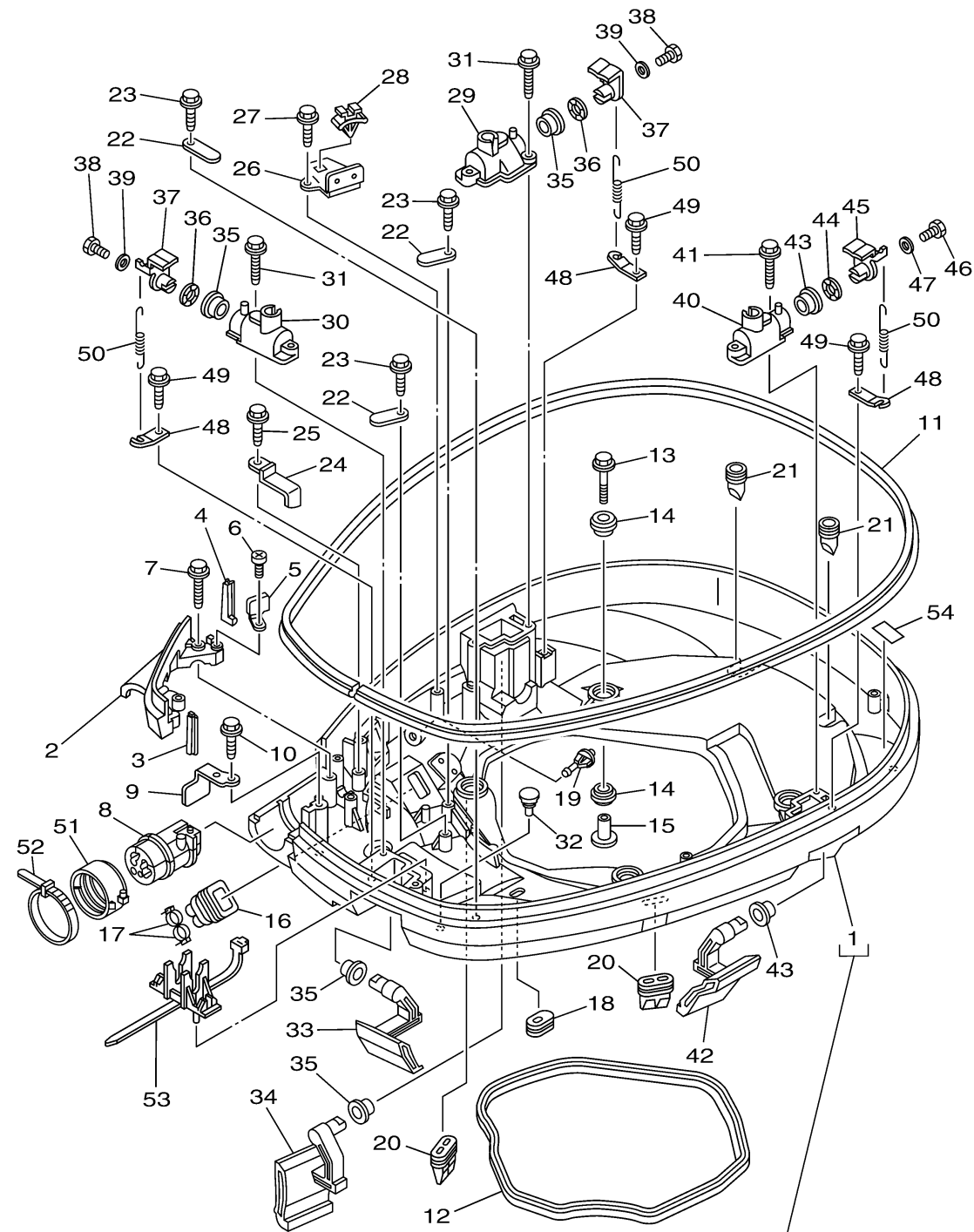


69J4110-D210

f200txrd_lf200txrd_25txrd_25turd_lf225tx

E1

BOTTOM COWLING 1



BOTTOM COWLING 1, Ref. No. 7, 10, 27, 31, 41, 49
 ELECTRICAL 2, Ref. No. 13, 20
 CONTROL 1, Ref. No. 2

Ref No.	Part Number	Description	Qty	Remarks
41	90109-06M82-00	BOLT	2	
42	69J-42816-00-8D	LEVER, CLAMP	1	
43	90386-15M73-00	BUSH	2	
44	90206-15M18-00	WASHER, WAVE	1	
45	6D8-42818-00-00	LEVER, CLAMP	1	
46	97095-06020-00	BOLT	1	
47	90201-06068-00	WASHER, PLATE	1	
48	64D-43144-00-00	HOOK, SPRING	3	
49	90109-06M86-00	BOLT	3	
50	90506-16M34-00	SPRING, TENSION	3	
51	68F-42753-00-00	FASTNER	1	AP
52	90464-20258-00	CLAMP	1	AP
53	68V-82594-00-00	CLAMP	1	
54	67F-82377-00-00	LABEL	1	



69J4110-D210

f200txrd_lf200txrd_25txrd_25turd_lf225tx

E2