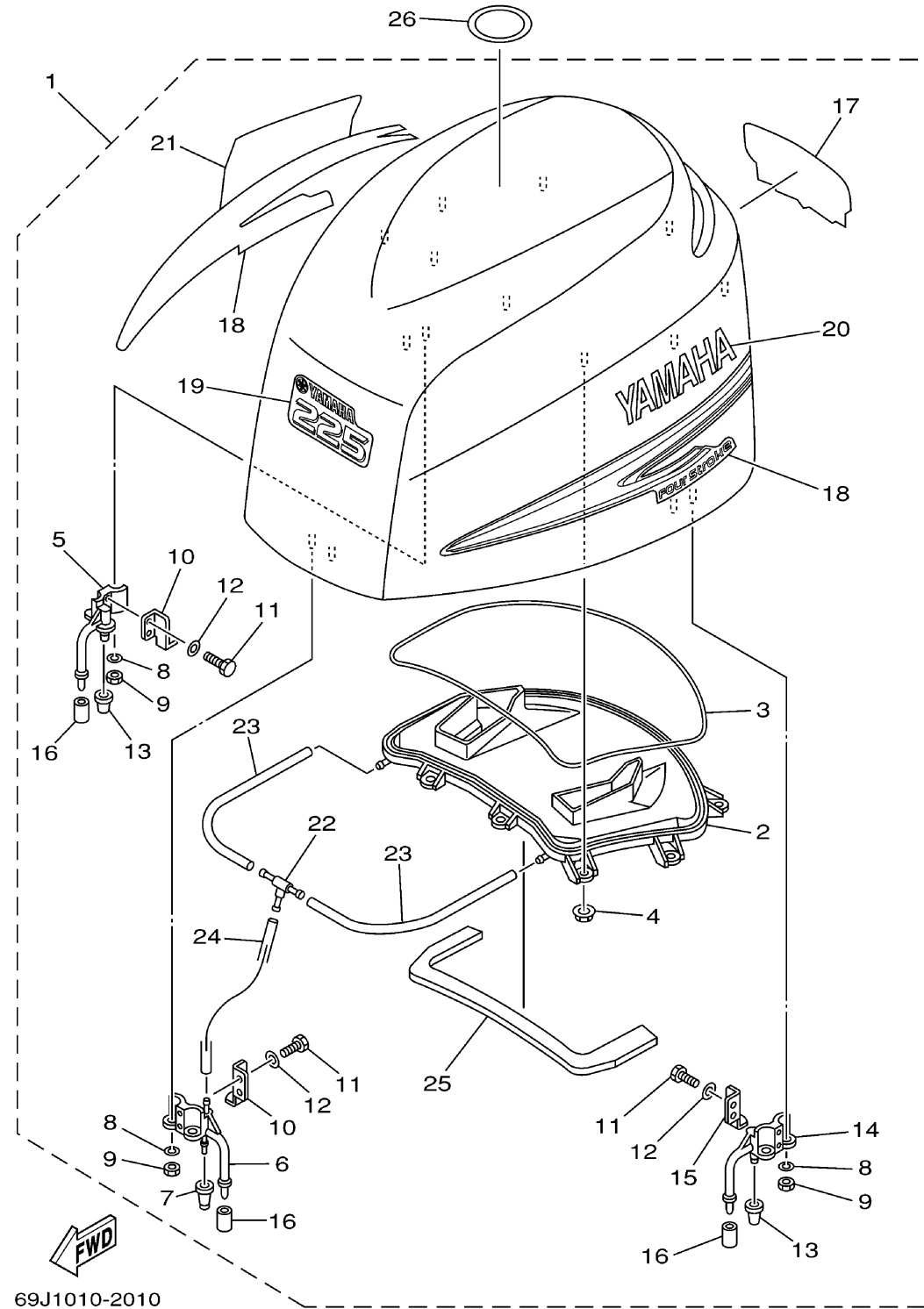


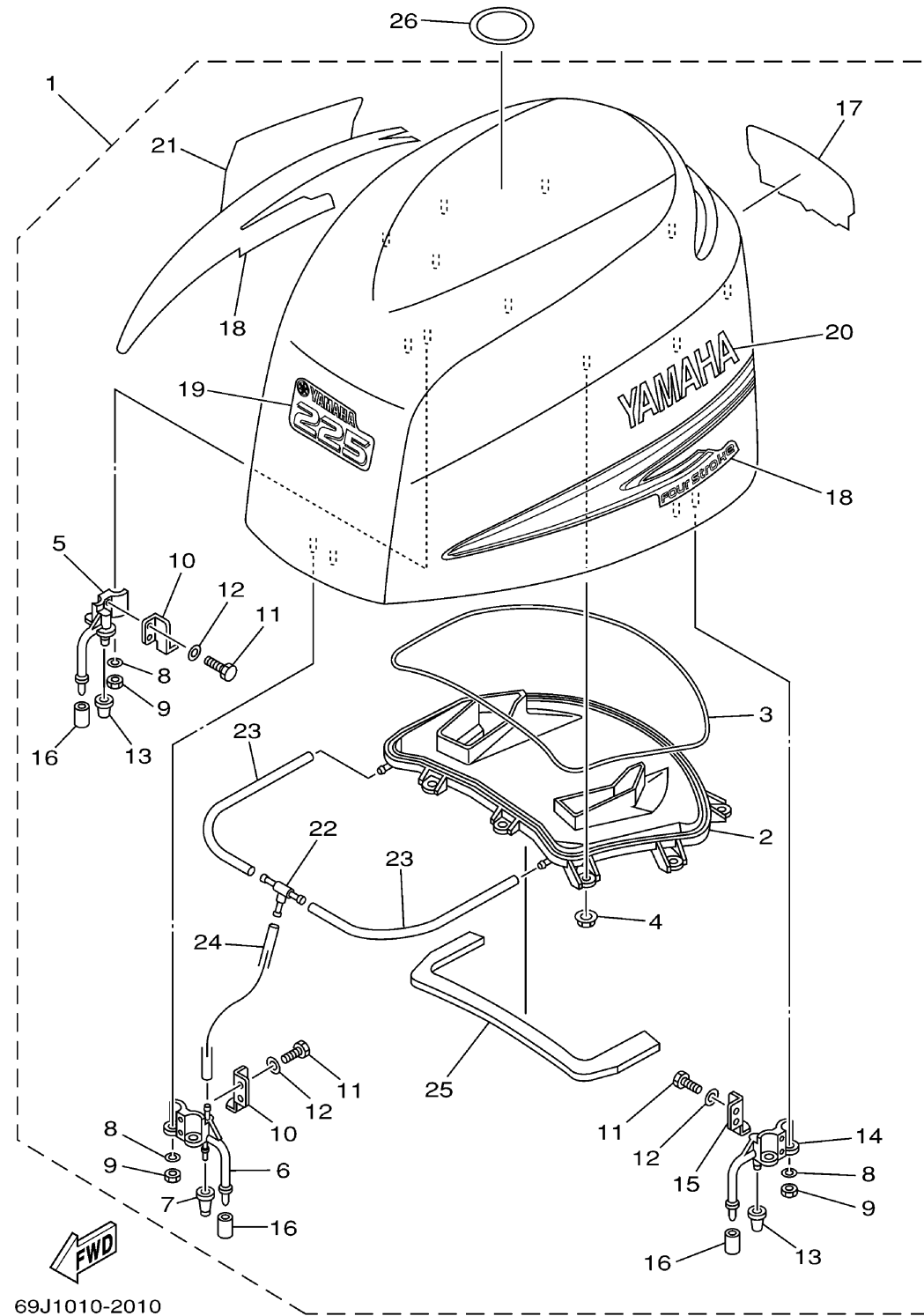
TOP COWLING



| Ref No. | Part Number | Description | Qty | Remarks |
|---------|-----------------|----------------------|-----|---------------|
| 1 | 69J-42610-00-8D | TOP COWLING ASSY | 1 | UR F225/LF225 |
| 1 | 60L-42610-00-8D | TOP COWLING ASSY | 1 | UR F200/LF200 |
| 2 | 69J-42613-00-00 | . MOLDING, AIR DUCT | 1 | |
| 3 | 69J-42629-00-00 | . SEAL | 1 | |
| 4 | 90179-06M28-00 | . NUT | 9 | |
| 5 | 68F-42647-01-94 | . HOLDER, CLAMP BAND | 1 | |
| 6 | 69J-42647-00-94 | . HOLDER, CLAMP BAND | 1 | |
| 7 | 69J-42663-00-00 | . DAMPER | 1 | |
| 8 | 92990-06100-00 | . WASHER, SPRING | 6 | |
| 9 | 95380-06600-00 | . NUT, HEXAGON | 6 | |
| 10 | 68F-42651-00-00 | . HOOK | 2 | |
| 11 | 97095-06016-00 | . BOLT | 6 | |
| 12 | 92995-06600-00 | . WASHER | 6 | |
| 13 | 68F-42663-00-00 | . DAMPER | 2 | |
| 14 | 68F-42648-01-94 | . HOLDER, CLAMP BAND | 1 | |
| 15 | 67F-42652-00-00 | . HOOK | 1 | |
| 16 | 67F-13448-00-00 | . CAP | 3 | |
| 17 | 69J-42678-00-00 | . GRAPHIC, REAR | 1 | UR F225/LF225 |
| 17 | 60L-42678-00-00 | . GRAPHIC, REAR | 1 | UR F200/LF200 |
| 18 | 69J-W0070-00-00 | . GRAPHIC SET | 1 | |

CONTINUED ON NEXT FRAME >

TOP COWLING



| Ref No. | Part Number | Description | Qty | Remarks |
|---------|-----------------|------------------|-----|---------------|
| 19 | 60L-42677-00-00 | ..GRAPHIC, FRONT | 1 | UR F200/LF200 |
| 19 | 69J-42677-00-00 | ..GRAPHIC, FRONT | 1 | UR F225/LF225 |
| 20 | 69J-42681-00-00 | ..MARK, COWLING | 1 | |
| 21 | 69J-42682-00-00 | ..MARK, COWLING | 1 | |
| 22 | 69J-24378-00-00 | ..PIPE, JOINT 3 | 1 | |
| 23 | 90445-11020-00 | ..HOSE (L400) | 2 | |
| 24 | 90445-11021-00 | ..HOSE (L310) | 1 | |
| 25 | 69J-42617-00-00 | ..DAMPER, FORM | 1 | |
| 26 | 67F-13434-02-00 | LABEL, CAUTION | 1 | |