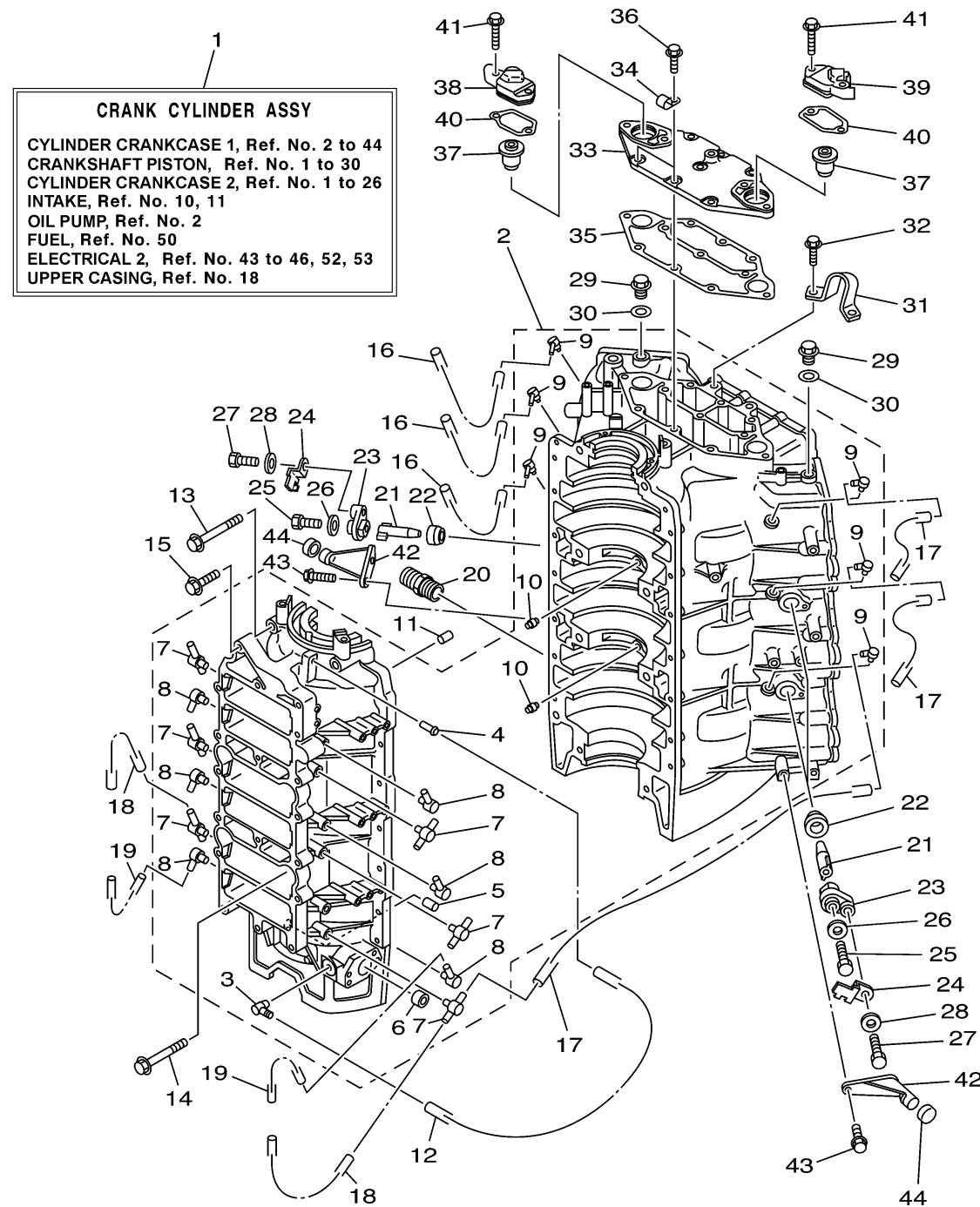


CYLINDER CRANKCASE 1

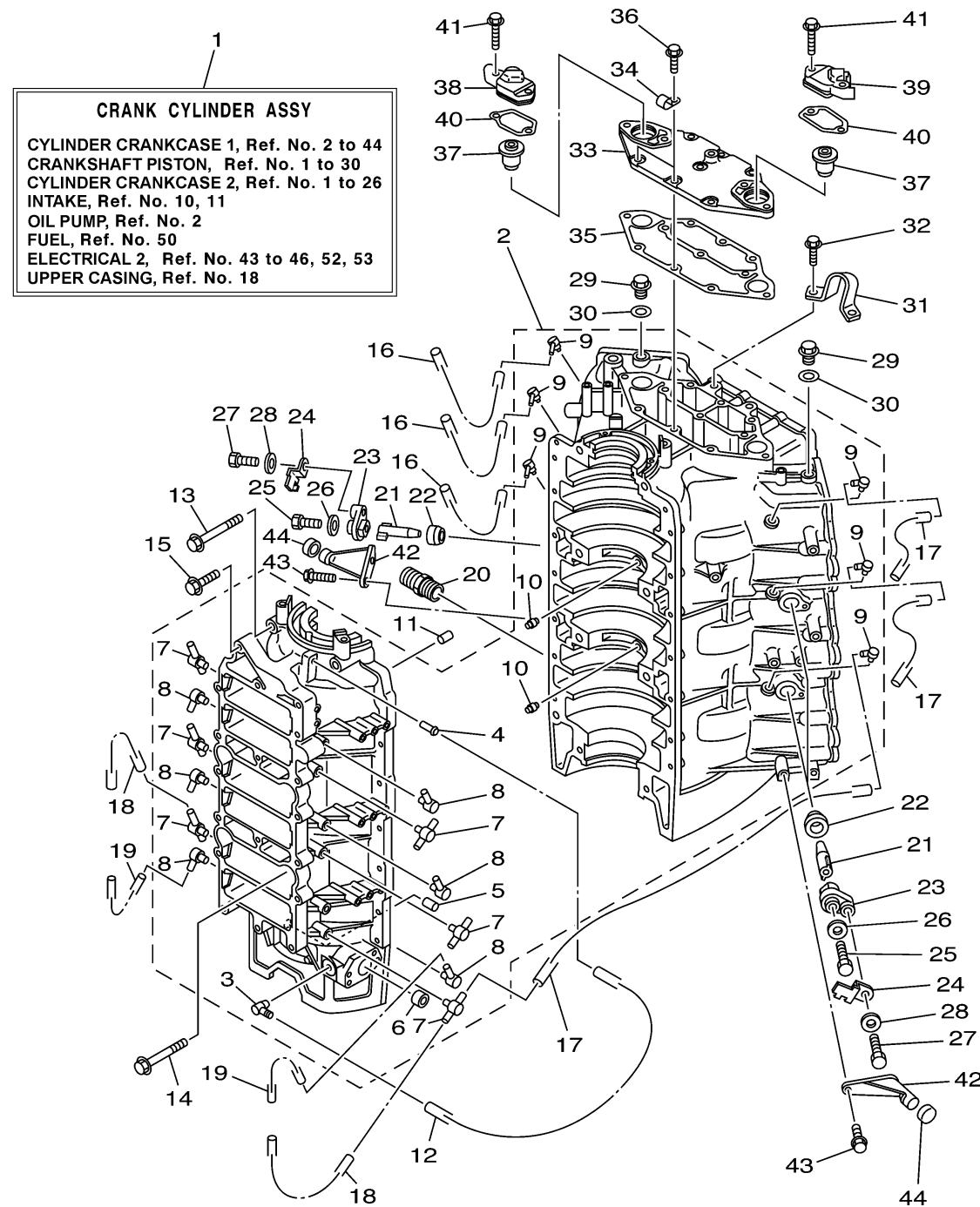


| Ref No. | Part Number | Description | Qty | Remarks |
|---------|-----------------|------------------------|-----|---------|
| 1 | 66X-W0090-15-1S | CRANK CYLINDER ASSY | 1 | |
| 2 | 65J-15100-03-1S | CRANKCASE ASSY | 1 | |
| 3 | 6E5-11372-01-00 | ..NIPPLE, HOSE | 1 | |
| 4 | 624-14485-00-00 | ..PIPE, JOINT | 1 | |
| 5 | 90384-06M07-00 | ..BUSH, BIMETAL FORMED | 1 | |
| 6 | 90383-16M01-00 | ..BUSH, FORMED | 1 | |
| 7 | 6F6-11372-01-00 | ..NIPPLE, HOSE | 6 | |
| 8 | 650-11372-01-00 | ..NIPPLE, HOSE | 6 | |
| 9 | 6E5-11372-01-00 | ..NIPPLE, HOSE | 6 | |
| 10 | 663-11518-01-00 | ..LOCK, BEARING | 2 | |
| 11 | 93608-12063-00 | PIN, DOWEL | 2 | |
| 12 | 90445-07M11-00 | HOSE (L610) | 1 | |
| 13 | 90105-10M62-00 | BOLT, FLANGE | 4 | |
| 14 | 90105-10M75-00 | BOLT, FLANGE | 4 | |
| 15 | 90119-06089-00 | BOLT, WITH WASHER | 14 | |
| 16 | 90445-07M44-00 | HOSE (L250) | 3 | |
| 17 | 90445-07M40-00 | HOSE (L225) | 3 | |
| 18 | 90445-07MA6-00 | HOSE (L90) | 6 | |
| 19 | 90445-07MA6-00 | HOSE (L90) | 6 | |
| 20 | 6G5-12581-00-00 | JOINT, HOSE 1 | 1 | |

CONTINUED ON NEXT FRAME >


 66X4110-D020

CYLINDER CRANKCASE 1

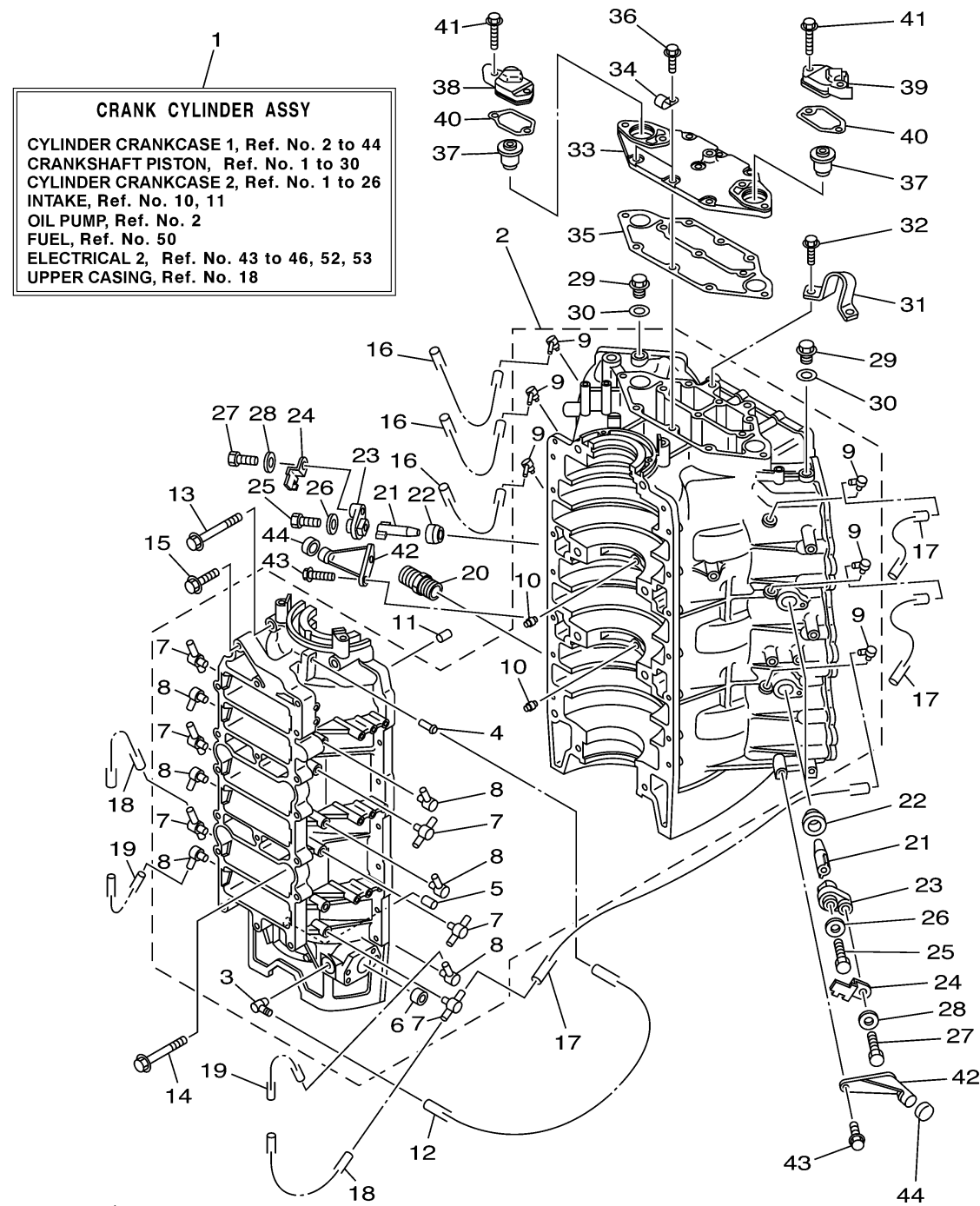


| Ref No. | Part Number | Description | Qty | Remarks |
|---------|-----------------|-----------------------|-----|---------|
| 21 | 62Y-11325-00-00 | ANODE | 3 | |
| 22 | 66M-11328-00-00 | GROMMET, ANODE | 3 | |
| 23 | 66M-11327-00-94 | COVER, ANODE | 3 | |
| 24 | 66M-12535-00-00 | PLATE | 3 | |
| 25 | 97095-05012-00 | .BOLT | 3 | |
| 26 | 92995-05600-00 | .WASHER | 3 | |
| 27 | 97013-06020-00 | BOLT | 3 | |
| 28 | 92903-06600-00 | WASHER, PLATE | 3 | |
| 29 | 90340-14M00-00 | .PLUG, STRAIGHT SCREW | 2 | |
| 30 | 90430-14115-00 | .GASKET | 2 | |
| 31 | 6E5-11119-01-00 | HANGER, ENGINE | 1 | |
| 32 | 90119-08MA3-00 | BOLT, WITH WASHER | 2 | |
| 33 | 61A-11371-00-1S | COVER | 1 | |
| 34 | 90465-06M86-00 | .CLAMP | 2 | |
| 35 | 61A-11381-A0-00 | .GASKET 1 | 1 | |
| 36 | 90119-06MA2-00 | BOLT, WITH WASHER | 7 | |
| 37 | 6E5-12411-30-00 | THERMOSTAT | 2 | |
| 38 | 61A-12413-21-1S | COVER, THERMOSTAT | 1 | |
| 39 | 61A-12413-31-1S | COVER, THERMOSTAT | 1 | |
| 40 | 61A-12414-A0-00 | .GASKET, COVER | 2 | |

CONTINUED ON NEXT FRAME >


 66X4110-D020

CYLINDER CRANKCASE 1



| Ref No. | Part Number | Description | Qty | Remarks |
|---------|-----------------|----------------------------|-----|---------|
| 41 | 90119-06MA5-00 | BOLT, WITH WASHER | 4 | |
| 42 | 6E5-42761-00-1S | STOPPER | 2 | |
| 43 | 90119-06MA2-00 | BOLT, WITH WASHER | 4 | |
| 44 | 68F-44533-00-00 | DAMPER, UPPER MOUNT RUBBER | 2 | |