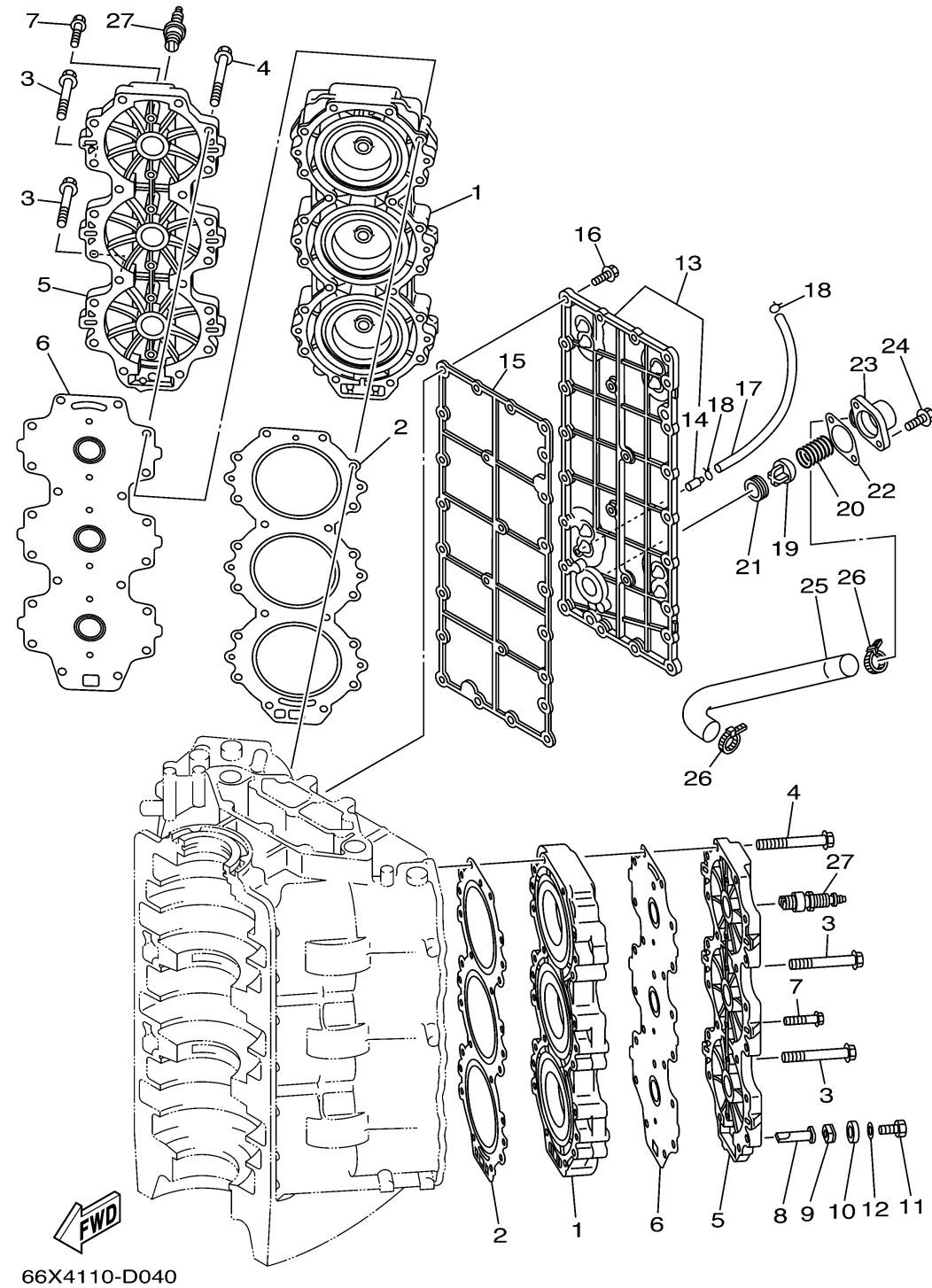


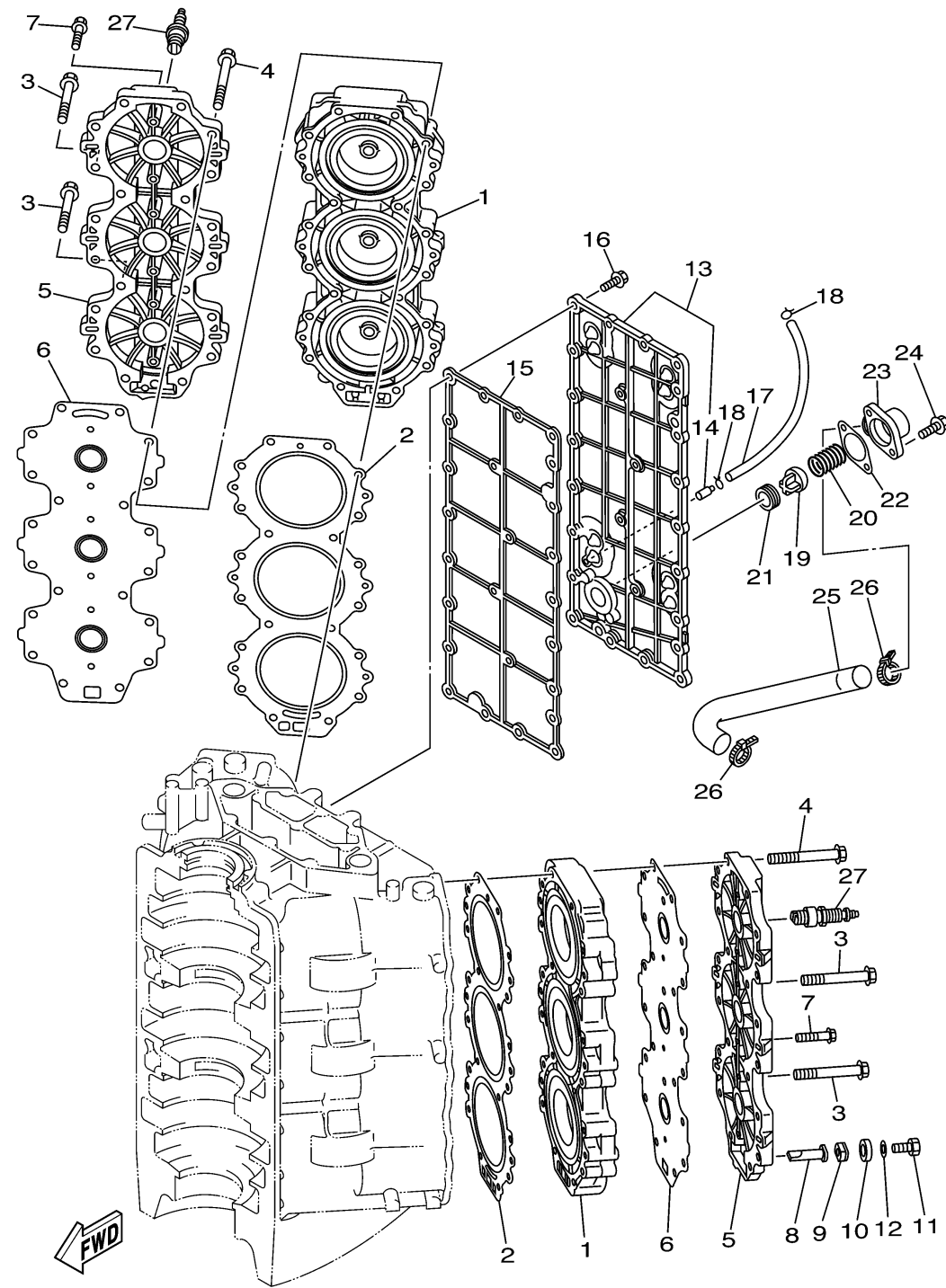
CYLINDER CRANKCASE 2



Ref No.	Part Number	Description	Qty	Remarks
1	66X-11111-00-1S	HEAD, CYLINDER 1	2	
2	69L-11181-00-00	.GASKET, CYLINDER HEAD 1	2	
3	90119-08MA5-00	BOLT, WITH WASHER	4	
4	90119-08M99-00	BOLT, WITH WASHER	36	
5	61A-11191-00-1S	COVER, CYLINDER HEAD 1	2	
6	61A-11193-A1-00	.GASKET, HEAD COVER 1	2	
7	90119-06MA5-00	BOLT, WITH WASHER	12	
8	6J8-11325-00-00	ANODE	2	
9	6H3-11328-00-00	GROMMET, ANODE	2	
10	6H3-11327-00-1S	COVER, ANODE	2	
11	97013-06016-00	BOLT	2	
12	92903-06600-00	WASHER, PLATE	2	
13	61A-41113-00-1S	OUTER COVER, EXHAUST	1	
14	650-24378-00-00	..PIPE, JOINT 4	1	
15	61A-41112-A1-00	.GASKET, EXHAUST INNER COVER	1	
16	90119-06MA3-00	BOLT, WITH WASHER	25	
17	90445-09M25-00	HOSE (L600)	1	
18	90467-08004-00	CLIP	2	
19	60H-12416-00-00	VALVE, PRESSURE CONTROL	1	
20	90501-16M11-00	SPRING, COMPRESSION	1	

CONTINUED ON NEXT FRAME >

CYLINDER CRANKCASE 2



Ref No.	Part Number	Description	Qty	Remarks
21	90480-20M05-00	GROMMET	1	
22	6G5-11382-A1-00	.GASKET 2	1	
23	6G5-11372-00-1S	COVER, BYPASS 2	1	
24	90119-06MA2-00	BOLT, WITH WASHER	2	
25	61A-12576-00-00	HOSE 1	1	
26	90465-13M18-00	CLAMP	2	
27	94702-00247-00	PLUG, SPARK (NGK BR8HS-10)	6	