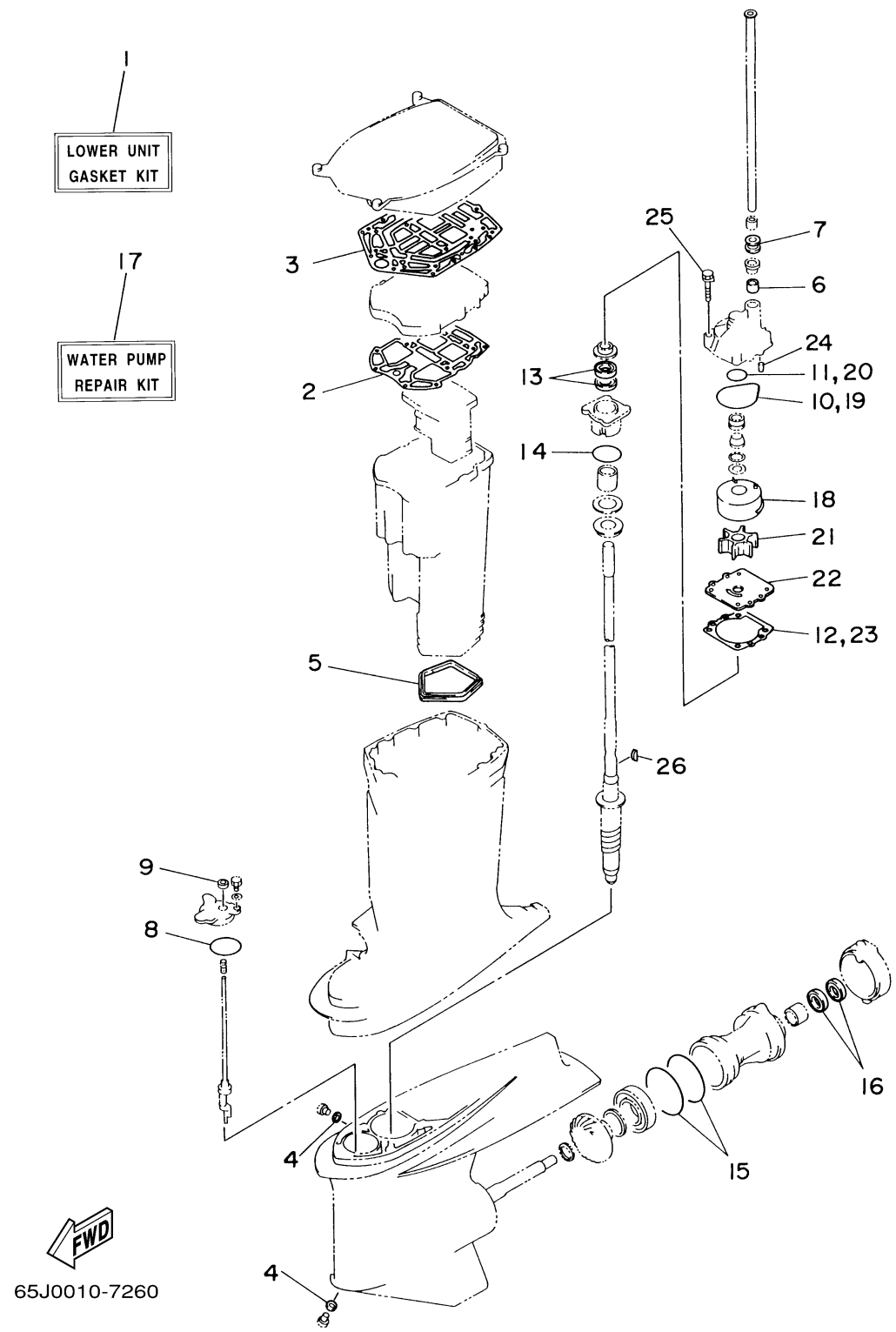


REPAIR KIT 2

Ref No.	Part Number	Description	Qty	Remarks
1	66K-W0001-20-00	LOWER UNIT GASKET KIT	1	
2	61A-41134-A0-00	..GASKET, EXHAUST MANIFOLD	1	
3	61A-45114-A0-00	..GASKET, UPPER CASING	1	
4	90430-08020-00	..GASKET	2	
5	66K-45123-00-00	..GASKET, MUFFLER	1	
6	6E5-44365-00-00	..DAMPER, WATER SEAL 1	1	
7	6E5-44366-00-00	..DAMPER, WATER SEAL 2	1	
8	93210-64488-00	..O-RING	1	
9	93106-09014-00	..OIL SEAL	1	
10	93210-86M38-00	..O-RING	1	
11	93210-37160-00	..O-RING	1	
12	6E5-44315-A0-00	..GASKET, WATER PUMP	1	
13	93101-28M16-00	..OIL SEAL	2	
14	93210-55M14-00	..O-RING	1	
15	93211-04384-00	..O-RING	2	
16	93101-30M17-00	..OIL SEAL	2	
17	61A-W0078-A3-00	WATER PUMP REPAIR KIT	1	
18	61A-44322-02-00	..INSERT, CARTRIDGE	1	
19	93210-86M38-00	..O-RING	1	
20	93210-37160-00	..O-RING	1	

CONTINUED ON NEXT FRAME >



REPAIR KIT 2

Ref No.	Part Number	Description	Qty	Remarks
21	6E5-44352-01-00	. .IMPELLER	1	
22	6G5-44323-00-00	. .OUTER PLATE, CARTRIDGE	1	
23	6E5-44315-A0-00	. .GASKET, WATER PUMP	1	
24	93606-12019-00	. .PIN, DOWEL	2	
25	90119-08M14-00	. .BOLT, WITH WASHER	4	
26	90280-04M05-00	. .KEY, WOODRUFF	1	

